



DK 0102 X



- with 5x 221-413 connecting terminal
- Dimensions H x W x D: 84 x 84 x 55 mm
- With elastic membranes, which can be removed for cable entry via cable glands

ELECTRICAL PROPERTIES

Rated insulation voltage: $U_i = 450 \text{ V}$
 Rated current: $I_n = 32 \text{ A}$

CONNECTION DATA

Terminal cross-section:

Maximum number of conductors clamping units each	Conductor cross-section min.	Conductor cross-section max.	Conductor cross section	Conductor type	Conductor material
1	0.14 mm ²	4 mm ²	solid, stranded, flexible	round	Cu

Number of clamping units per pole: 3
 Connection type: Plug-in terminal connection with lever
 Ferrule required for flexible conductors: No
 Dismantling length: 11 mm

CABLE ENTRIES

Cable entries:

Number of cable entries	Type of cable entry	Size of the metric knock-outs	Sealing range of the cable entry	Location of cable entry
4	elastic membranes	M20	6 mm - 15 mm	wall
3	elastic membranes	M16	6 mm - 13 mm	wall
1	elastic membranes	without	6 mm - 13 mm	bottom

MECHANICAL PROPERTIES

Type of lid fastening:	Quick locking: Opening and closing by quarter turn, locked position well visible (open - locked)
Delivered accessories:	External brackets, sealing plug
IP degree of protection:	IP66
Impact strength:	IK07
Sealable without accessories:	Yes

AMBIENT CONDITIONS

Application area:	Indoor installation
Maximum ambient temperature 24 h:	35 °C
Ambient temperature:	-25 °C up to +40 °C
Relative humidity:	≤ 50 % at 40 °C, ≤ 100 % at 25 °C

MATERIAL PROPERTIES

Material:	Polypropylene
Glow wire test according to IEC 60695-2-11:	750 °C
UL 94:	V-2
Temperature resistance:	-25 °C up to +80 °C
Halogen-free:	Yes
Silicone-free:	Yes

DIMENSIONS

Height:	84 mm
---------	-------

Width: 84 mm
Depth: 55 mm
Net weight: 0.0976 kg

COLOURS

Colour: Black, similar to RAL 9011

CERTIFICATES

conforming to the standards: DIN EN 60670-1/-22, IEC 60670-1/-22

Certificates:

Type of certificate	Certificate number
VDE	40049684

SALES DATA

Product number: 62000443
EAN: 4012591161608
Pack unit: 5
Customs tariff number: 85369010
ETIM class: DYNAMIC: EC002600 - Box/housing for surface mounting on the wall/ceiling
ETIM-8.0: EC002600 - Box/housing for surface mounting on the wall/ceiling
ETIM-7.0: EC002600 - Box/housing for surface mounting on the wall/ceiling
ETIM-6.0: EC002600 - Box/housing for surface mounting on the wall/ceiling
ETIM-5.0: EC002600 - Box/housing for surface mounting on the wall/ceiling
ETIM-4.0: EC002600 - Box/housing for surface mounting on the wall/ceiling

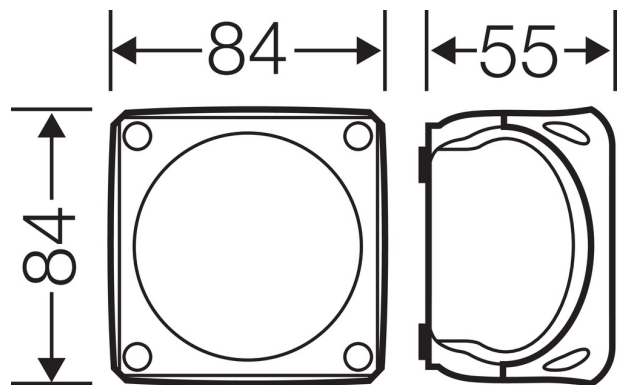
NOTE

When using the sealing plugs supplied, the specified protection class is not changed.

TENDER TEXT

Kabelabzweigkästen nach IEC 60670-22 mit eingebauter Verbindungsklemme und heraustrennbaren, elastischen Dichtmembranen. Geeignet für Innenräume und geschützte Installation im Freien nach DIN VDE 0100, Teil 737. Für Umgebungstemperatur maximal +40 °C und minimal -25 °C, bei relativer Luftfeuchte 50 % bei +40 °C oder 100 % bei +25 °C. Werkstoff Temperaturbeständigkeit von -25 °C bis +70 °C, Brennverhalten nach VDE 0471, Teil 2 - Glühdrahtprüfung 750 °C, UL Subject 94 V-2. Schutzart nach IEC 60529: IP 66. Bemessungsisolationsspannung: 450 V. Werkstoff: Thermoplast, halogen- und silikonfrei. Farbe: schwarz, RAL 9011. Deckelbefestigung mit Schnellverschluss, ohne Zubehör plombierbar. Steckbare Außenlaschen zur Wandmontage im Lieferumfang enthalten. Fabrikat: HENSEL ENYCASE DK., Nennquerschnitt: 2,5 mm², 5x 3-Leiter Verbindungsklemmen Wago 221-413, Abmessungen HxBxT 84 x 84 x 55 mm

DRAWINGS



X-ON Electronics

Largest Supplier of Electrical and Electronic Components

Click to view similar products for [Electrical Enclosures](#) category:

Click to view products by [Hensel](#) manufacturer:

Other Similar products are found below :

[MR-25L+](#) [30-8739](#) [30-9715](#) [A242012LP](#) [A16N12BLP](#) [81641001](#) [9511096](#) [9511016](#) [16.4330000](#) [127-906](#) [79021101](#) [73383001](#) [EKIV 17](#)
[19817001](#) [2327000](#) [2534100](#) [2561400](#) [18600801](#) [19001201](#) [19001301](#) [19501001](#) [19500601](#) [19701101](#) [19600901](#) [TM 0808](#) [TRH 24](#)
[A317SEAL](#) [A3735SEAL](#) [A3783SEAL](#) [UV 150 K](#) [UV 250 K](#) [X10 R LGR-TR](#) [X01 UT G LGR](#) [X16C LGR-TR](#) [X25C LGR-TR](#) [T 160 OE](#)
[HD LGR](#) [T 350 OE HD LGR](#) [T 60 M20](#) [T 60 M20 NL](#) [SDB 03 PS](#) [P2018SEAL](#) [12.0000011](#) [12.0000012](#) [04.3080000](#) [04.3090000](#) [KM-](#)
[326G](#) [2763-00](#) [2765-00](#) [2761-00](#) [20500703-D101000](#)