

Platinum Resistance Temperature Detector

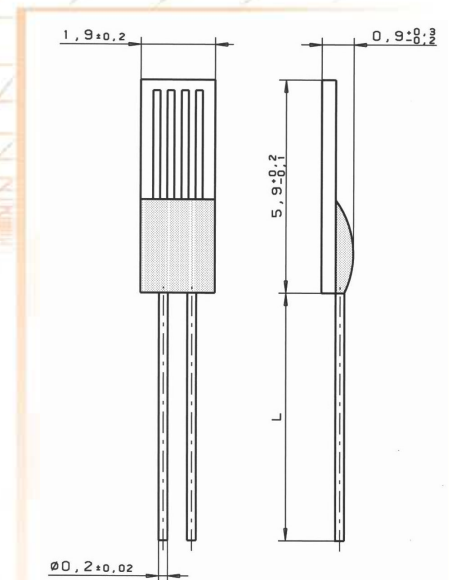
M 620

M series PRTDs are designed for large volume applications where long term stability, interchangeability and accuracy over a large temperature range are vital. Due to the high resistance values of 1000 Ω and 2000 Ω the signal gain is excellent. Typical applications are found in Automotive, White goods, HVAC, Medical and Industrial equipment.

| Nominal Resistance R0 | Tolerance DIN EN 60751 1996-07 | Tolerance DIN EN 60751 2009-05 | Order Number Plastic Bag |
|-----------------------|--------------------------------|--------------------------------|--------------------------|
| 2000 Ohm at 0°C | Class B | F 0.3 | 32 208 541 |

The measuring point for the nominal resistance is defined at 8mm from the end of the sensor body.

| | | |
|---------------------------------|---|--|
| Spezifikation | DIN EN 60751 (according to IEC 751) | |
| Temperature range | -70°C to +500°C (continuous operation) (temporary use to 550°C possible) Tolerance Class B: -70°C to +500°C | |
| Temperature coefficient | TCR = 3850 ppm/K | |
| Leads | Pt clad Ni- wire Recommend connection technology: Welding, Crimping and Brazing | |
| Lead lengths (L) | 10mm \pm 1mm | |
| Longterm stability | max. R ₀ -drift 0.04% after 1000h at 500 °C | |
| Vibration resistance | at least 40g acceleration at 10 to 2000 Hz, depends on installation | |
| Shock resistance | at least 100g acceleration with 8ms half sine wave , depends on installation | |
| Environmental conditions | unhoused for dry environments only | |
| Insulation resistance | > 100 M Ω at 20°C; > 2 M Ω at 500°C | |
| Self heating | 0.3 K/mW at 0°C | |
| Response time | water current (v= 0.4m/s): | t _{0.5} = 0.08s t _{0.9} = 0.25s |
| | air stream (v= 2m/s): | t _{0.5} = 3.7s t _{0.9} = 11.5s |
| Measuring current | 2000 Ω : 0.1 to 0,3mA (self heating has to be considered) | |
| Note | Other tolerances, values of resistance and wire lengths are available on request. | |



We reserve the right to make alterations and technical data printed. All technical data serves as a guideline and does not guarantee particular properties to any products.

Heraeus Sensor Technology USA

1901 Route 130
North Brunswick, NJ 08902
Phone 732-940-4400
Email info.hst-us@heraeus.com
www.hst-us.com

Name of document: 30910022 Index D
Status: 07/2015

X-ON Electronics

Largest Supplier of Electrical and Electronic Components

Click to view similar products for [Industrial Temperature Sensors](#) category:

Click to view products by [Heraeus Sensor](#) manufacturer:

Other Similar products are found below :

[590-32AC34-103-WRI](#) [590-59CN02-103](#) [G9864ST22F0](#) [HEL-705-U-0-12-C1](#) [HEL-736-U-2-36](#) [HEL-717-U-0-24-00](#) [519-39AW09-245](#)
[519-39CH01-295](#) [535-32AB36-202](#) [535-34AE08-303](#) [512-32AQ01-503](#) [521-33AG04-303](#) [521-53BR01-503](#) [E52P6DY4M](#) [535-34AE09-222](#)
[590-32AC34-103](#) [590-32AD05-103](#) [HEL-705-U-0-36-00](#) [HEL-705-U-1-12-C2](#) [E52-CA6D-N 4M](#) [E52-P6DY 2M](#) [E52-P20C-N D=8](#) [E52-](#)
[THE5A 100-200 2M](#) [HRTS-5760-B-T-0-18](#) [6655-71990001](#) [LTPCTGA20MBSIBX01](#) [LTPCTAA20MDSIEX01](#) [BB-HS-104T2505402](#)
[NCP81255MNTXG](#) [HEL-707-T-1-24-00](#) [HEL-716-U-0-24-00](#) [USW2247](#) [R-11614-1](#) [RP103ST22P2](#) [R-10331-3F6](#) [E52-P20AY-D32 4M](#)
[B57045K0222K000](#) [B57045K0154K000](#) [PPG102A6](#) [R-7119](#) [R-8949-34](#) [BB-WTJ-10-36-TT](#) [20006233-00](#) [USW2889](#) [E52-P35C-ND3.2](#)
[NB-PTCO-142](#) [B57045K0682K000](#) [R-10224-16](#) [R-1630](#) [R-8204](#)