

## Platinum Resistance Temperature Detector

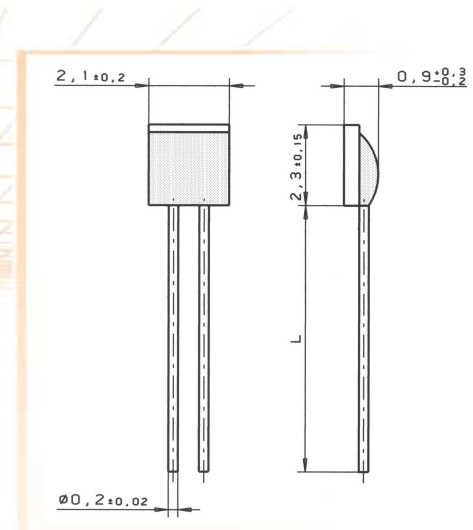
### M 222

Mseries PRTDs are designed for large volume applications where long term stability, interchangeability and accuracy over a large temperature range are vital. Typical applications are Automotive, White Goods, HVAC, Energy management, Medical and Industrial equipment.

Nominal Resistance R0	Tolerance DIN EN 60751 1996-07	Tolerance DIN EN 60751 2009-05	Order Number Plastic Box
1000 Ohm at 0°C	Class B	F 0.3	32 208 233

The measuring point for the nominal resistance is defined at 6mm from the end of the sensor body.

<b>Temperature range</b>	-70°C to +500°C (continuous operation) (temporary use to 550 °C/ 750 hours possible) Tolerance Class B: -70°C up to 500°C
<b>Temperature coefficient</b>	TCR = 3750 ppm/K
<b>Leads</b>	Pt clad Ni- wire Recommend connection technology: Welding, Crimping and Brazing
<b>Lead lengths (L)</b>	8mm ±1mm
<b>Long-term stability</b>	max. R <sub>0</sub> -drift 0.04% after 1000h at 500°C
<b>Vibration resistance</b>	at least 40g acceleration at 10 to 2000 Hz, depends on installation
<b>Shock resistance</b>	at least 100g acceleration with 8ms half sine wave, depends on installation
<b>Environmental conditions</b>	unhoused for dry environments only
<b>Insulation resistance</b>	> 100 MΩ at 20°C; > 2 MΩ at 500°C
<b>Self heating</b>	0.4 K/mW at 0°C
<b>Response time</b>	water current (v= 0.4m/s): t <sub>0,5</sub> = 0.05s air stream (v= 2m/s): t <sub>0,5</sub> = 3.0s t <sub>0,9</sub> = 0.15s t <sub>0,9</sub> = 10.0s
<b>Measuring current</b>	500Ω: 0.1 to 0.7mA 1000Ω: 0.1 bis 0.3mA (self heating has to be considered)
<b>Note</b>	Other tolerances, values of resistance and wire lengths are available on request.



We reserve the right to make alterations and technical data printed. All technical data serves as a guideline and does not guarantee particular properties to any products.

## Heraeus Sensor Technology USA

770 Township Line Road, Suite 300  
Yardley, PA 19067 USA  
Phone 1-215-944-9010 Fax 1-215-944-9392  
Email info.hst-us@heraeus.com  
www.hst-us.com

## X-ON Electronics

Largest Supplier of Electrical and Electronic Components

*Click to view similar products for [Industrial Temperature Sensors](#) category:*

*Click to view products by [Heraeus Sensor](#) manufacturer:*

Other Similar products are found below :

[590-32AC34-103-WRI](#) [590-59CN02-103](#) [G9864ST22F0](#) [HEL-705-U-0-12-C1](#) [HEL-736-U-2-36](#) [HEL-717-U-0-24-00](#) [519-39AW09-245](#)  
[519-39CH01-295](#) [535-32AB36-202](#) [535-34AE08-303](#) [512-32AQ01-503](#) [521-33AG04-303](#) [521-53BR01-503](#) [E52P6DY4M](#) [535-34AE09-222](#)  
[590-32AC34-103](#) [590-32AD05-103](#) [HEL-705-U-0-36-00](#) [E52-CA6D-N 4M](#) [E52-P6DY 2M](#) [E52-P20C-N D=8](#) [E52-THE5A 100-200 2M](#)  
[HRTS-5760-B-T-0-18](#) [6655-71990001](#) [LTPCTGA20MBSIBX01](#) [LTPCTAA20MDSIEX01](#) [BB-HS-104T2505402](#) [NCP81255MNTXG](#) [HEL-](#)  
[707-T-1-24-00](#) [HEL-716-U-0-24-00](#) [USW2247](#) [R-11614-1](#) [RP103ST22P2](#) [R-10331-3F6](#) [E52-P20AY-D32 4M](#) [B57045K0222K000](#)  
[B57045K0154K000](#) [PPG102A6](#) [R-7119](#) [R-8949-34](#) [BB-WTJ-10-36-TT](#) [20006233-00](#) [USW2889](#) [E52-P35C-ND3.2](#) [NB-PTCO-142](#)  
[B57045K0682K000](#) [R-10224-16](#) [R-1630](#) [R-8204](#) [R-8203](#)