

Platinum Resistance Temperature Detector

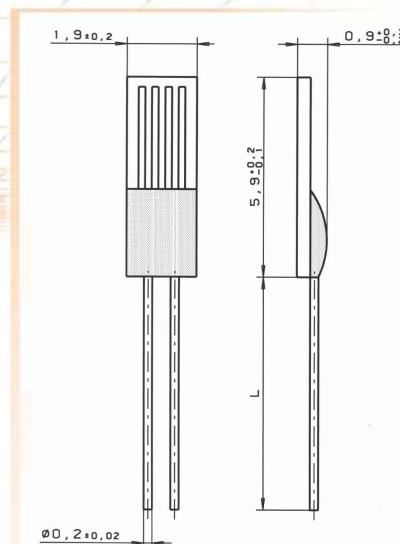
M 620 10kOhm

M series PRTDs are designed for large volume applications where long term stability, interchangeability and accuracy over a large temperature range are vital. Due to the high resistance value of 10 k Ω the signal gain is excellent. Typical applications are found in White goods, HVAC, Medical and Industrial equipment.

Nominal Resistance R0	Tolerance DIN EN 60751 1996-07	Tolerance DIN EN 60751 2009-05	Order Number Plastic Bag
10000 Ohm at 0°C	Class B	F 0.3	32 208 711

The measuring point for the nominal resistance is defined at 8mm from the end of the sensor body.

Spezification	DIN EN 60751 (according to IEC 751)	
Temperature range	-70°C to +500°C (continuous operation) (temporary use to 550°C possible) Tolerance Class B: -70°C to +500°C	
Temperature coefficient	TCR = 3850 ppm/K	
Leads	Pt clad Ni- wire Recommend connection technology: Welding, Crimping and Brazing	
Longterm stability	Max. R ₀ – Drift 0,04% after 1000h at 500°C	
Lead lengths (L)	10mm \pm 1mm	
Environmental conditions	unhoused for dry environments only	
Insulation resistance	> 100 M Ω at 20°C; > 2 M Ω at 500°C	
Vibration resistance	at least 40g acceleration at 10 to 2000 Hz, depends on installation	
Shock resistance	at least 100g acceleration with 8ms half sine wave , depends on installation	
Self heating	0.3 K/mW at 0°C	
Response time	water current (v = 0.4 m/s):	t _{0,5} = 0.08s t _{0,9} = 0.25s
	air stream (v = 2 m/s):	t _{0,5} = 3.7s t _{0,9} = 11.5s
Measuring current	10000 Ω : 0.1 to 0.25 mA (self heating has to be considered)	
Note	Other tolerances, values of resistance and wire lengths are available on request.	



We reserve the right to make alterations and technical data printed. All technical data serves as a guideline and does not guarantee particular properties to any products.

Heraeus Sensor Technology USA

1901 Route 130
North Brunswick, NJ 08902
Phone 732-940-4400 Fax 732-940-4445
Email info.hst-us@heraeus.com
<http://heraeus-sensor-technology-us.com>

Name of document: 30910023 Index C
Status: 01/2012

X-ON Electronics

Largest Supplier of Electrical and Electronic Components

Click to view similar products for [Industrial Temperature Sensors](#) category:

Click to view products by [Heraeus Sensor](#) manufacturer:

Other Similar products are found below :

[590-32AC34-103-WRI](#) [590-59CN02-103](#) [G9864ST22F0](#) [HEL-705-U-0-12-C1](#) [HEL-736-U-2-36](#) [HEL-717-U-0-24-00](#) [519-39AW09-245](#)
[519-39CH01-295](#) [535-32AB36-202](#) [535-34AE08-303](#) [512-32AQ01-503](#) [521-33AG04-303](#) [521-53BR01-503](#) [E52P6DY4M](#) [535-34AE09-222](#)
[590-32AC34-103](#) [590-32AD05-103](#) [HEL-705-U-0-36-00](#) [E52-CA6D-N 4M](#) [E52-P6DY 2M](#) [E52-P20C-N D=8](#) [E52-THE5A 100-200 2M](#)
[HRTS-5760-B-T-0-18](#) [6655-71990001](#) [LTPCTGA20MBSIBX01](#) [LTPCTAA20MDSIEX01](#) [BB-HS-104T2505402](#) [NCP81255MNTXG](#) [HEL-](#)
[707-T-1-24-00](#) [HEL-716-U-0-24-00](#) [USW2247](#) [R-11614-1](#) [RP103ST22P2](#) [R-10331-3F6](#) [E52-P20AY-D32 4M](#) [B57045K0222K000](#)
[B57045K0154K000](#) [PPG102A6](#) [R-7119](#) [R-8949-34](#) [BB-WTJ-10-36-TT](#) [20006233-00](#) [USW2889](#) [E52-P35C-ND3.2](#) [IWTTP100A](#) [NB-](#)
[PTCO-142](#) [B57045K0682K000](#) [R-10224-16](#) [R-1630](#) [R-8204](#)