

T092, Housed Pt Temperature Sensor according to DIN EN 60751

Temperature range -50 °C to +150 °C

- Platinum sensor precision in TO 92 format
- Excellent long term stability
- High accuracy
- High vibration and shock resistance
- Optimized for soldering

The T092 is a Pt-RTD enclosed in an industry-standard TO housing and is characterized by a linear resistance vs. temperature response (as per DIN EN 60751), interchangeability, high long-term stability and accuracy. It offers an optimal price performance ratio for large volume applications, such as HVAC and industrial equipment.

Nominal Resistance R ₀ [Ω]	Tolerance Class	Order Number	Packaging
Pt100	F 0.3 (Class B)	32209210	VCI-Plastic bag
Pt1000	F 0.3 (Class B)	32209220	VCI-Plastic bag

Temperature Range of Tolerance Class

Tolerance Class F 0.3 (B) -50 °C to +150 °C
 The specified tolerance classes refer to continuous operation.

Temperature Coefficient

TCR = 3850 ppm/K

Response Time

Water (v = 0.4 m/s): t_{0.5} = 0.7 s
 t_{0.9} = 2 s
 Air (v = 2 m/s): t_{0.5} = 8 s
 t_{0.9} = 26 s

Measuring Current

Pt100 Ω: 0.3 to 1 mA
 Pt1000 Ω: 0.1 to 0.3 mA
 (self-heating has to be considered)

Long-Term Stability

The drift of the resistance value at 0 °C after a storage for 1000 hours in air at the declared upper temperature limit is not more than the tolerance value of the declared tolerance class according DIN EN 60751. Typical drift of R(0 °C) is 0.06 % after 1000 hours at +150 °C.

Self-Heating

Pt 100: 0.4 K/mW at 0 °C
 Pt 1000: 0.2 K/mW at 0 °C

Specific Volume Resistance

20 °C = 5 x 10¹⁶ Ωcm 150 °C = 5 x 10¹³ Ωcm

Physical Data For Housing

Material: duroplastic
 Coefficient of thermal expansion: 13 x 10⁻⁶ 1/K
 Thermal Conductivity: 0.65 W/mK
 Moisture absorption: 0.5 % (P.C.T. :121 °C, 24 hours)

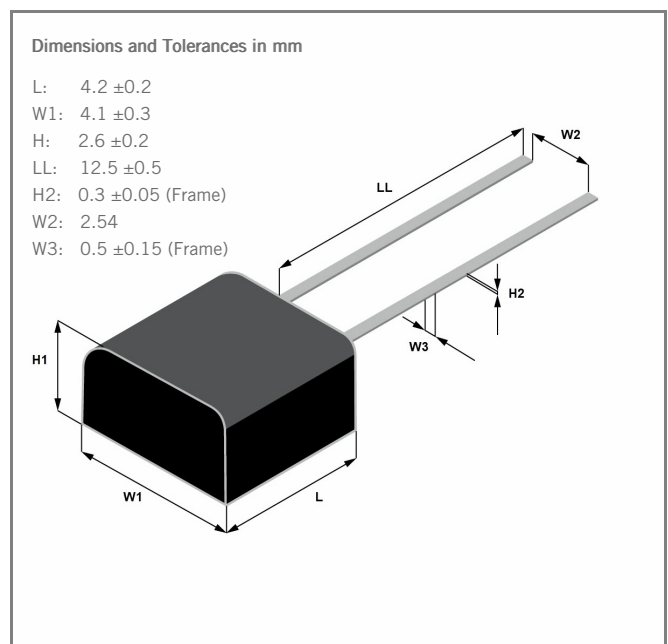


Image for illustration purposes only

T092, Housed Pt Temperature Sensor according to DIN EN 60751

Temperature range -50 °C to +150 °C

Flammability

UL94-V0

Soldering Connection

Cu alloy Sn/Pb coating

Connection Technology

Soft Soldering

Packaging

VCI-Plastic bag

Alternative packaging forms on request

Storage Life

9 months (in original packaging).

Nitrogen atmosphere recommended.

Note

Other tolerances and values of resistance are available on request.

California Proposition 65



WARNING

WARNING: This product can expose you to chemicals including carbon black, which is known to the State of California to cause cancer.

For more information go to www.p65warnings.ca.gov



The information provided in this data sheet describes certain technical characteristics of the product, but shall not be qualified or construed as quality guarantee (Beschaffenheitsgarantie) in the meaning of sections 443 and 444 German Civil Code. The information provided in this data sheet regarding measurement values (including, but not limited to, response time, long-term stability, vibration and shock resistance, insulation resistance and self-heating) are average values that have been obtained under laboratory conditions in tests of large numbers of the product. Product results or measurements achieved by customer or any other person in any production, test, or other environment may vary depending on the specific conditions of use.

The customer is solely responsible to determine whether the product is suited for the customer's intended use; in this respect Heraeus cannot assume any liability. The sale of any products by Heraeus is exclusively subject to the General Terms of Sale and Delivery of Heraeus in their current version at the time of purchase, which is available under www.heraeus.com/gtc or may be furnished upon request. This data sheet is subject to changes without prior notice.

Heraeus Nexensos GmbH, Reinhard-Heraeus-Ring 23, 63801 Kleinostheim, Germany

Heraeus Nexensos GmbH, Germany
Web: www.heraeus-nexensos.com
Contact: nexensos.america@heraeus.com

Document: 20002221296 | Part 001 | Version 02 | Status: 09/2021

Page 2 of 2

X-ON Electronics

Largest Supplier of Electrical and Electronic Components

Click to view similar products for [Industrial Temperature Sensors](#) category:

Click to view products by [Heraeus Sensor](#) manufacturer:

Other Similar products are found below :

[590-32AC34-103-WRI](#) [590-59CN02-103](#) [G9864ST22F0](#) [HEL-705-U-0-12-C1](#) [HEL-736-U-2-36](#) [HEL-717-U-0-24-00](#) [519-39AW09-245](#)
[519-39CH01-295](#) [535-32AB36-202](#) [535-34AE08-303](#) [512-32AQ01-503](#) [521-33AG04-303](#) [521-53BR01-503](#) [E52P6DY4M](#) [535-34AE09-222](#)
[590-32AC34-103](#) [590-32AD05-103](#) [HEL-705-U-0-36-00](#) [HEL-705-U-1-12-C2](#) [E52-CA6D-N 4M](#) [E52-P6DY 2M](#) [E52-P20C-N D=8](#) [E52-](#)
[THE5A 100-200 2M](#) [HRTS-5760-B-T-0-18](#) [6655-71990001](#) [LTPCTGA20MBSIBX01](#) [LTPCTAA20MDSIEX01](#) [BB-HS-104T2505402](#)
[NCP81255MNTXG](#) [HEL-707-T-1-24-00](#) [HEL-716-U-0-24-00](#) [USW2247](#) [R-11614-1](#) [RP103ST22P2](#) [R-10331-3F6](#) [E52-P20AY-D32 4M](#)
[B57045K0222K000](#) [B57045K0154K000](#) [PPG102A6](#) [R-7119](#) [R-8949-34](#) [BB-WTJ-10-36-TT](#) [20006233-00](#) [USW2889](#) [E52-P35C-ND3.2](#)
[NB-PTCO-142](#) [B57045K0682K000](#) [R-10224-16](#) [R-1630](#) [R-8204](#)