

**Precise and reliable measurement,
optimization and management.**



Heraeus Sensor Technology

Sensors for the efficient and responsible
use of resources.

Platinum temperature sensor T092

Temperature range $-50\text{ }^{\circ}\text{C}$ to $+150\text{ }^{\circ}\text{C}$

Applications

Automobile industry, household appliances, industrial equipment and electronics.

Specification

DIN EN 60751

Tolerance class

Class F 0.3
Class F 0.6

Nominal resistances

100 Ω and 1000 Ω
at $0\text{ }^{\circ}\text{C}$

Temperature coefficient

3850 ppm/K

Soldering connection

Cu alloy with Sn/Pb coating

Connection technology

Suitable for soft soldering

Long-term stability

Typical R_0 -drift 0.06 %
after 1000 hrs at $150\text{ }^{\circ}\text{C}$
Typical R_0 -drift 0.04 %
after 1000 hrs at $-55\text{ }^{\circ}\text{C}$

Measuring current

at 100 Ω :
0.3 to 1.0 mA

at 1000 Ω :
0.1 to 0.3 mA
(self-heating has to be considered)

Flammability

UL 94-V0

Resistance to soldering heat

Max. deviation 0.03 %
after 10s at $260\text{ }^{\circ}\text{C}$

Specific volume resistance

$20\text{ }^{\circ}\text{C}$: $5 \times 10^{16}\text{ } \Omega\text{cm}$,
 $150\text{ }^{\circ}\text{C}$: $5 \times 10^{13}\text{ } \Omega\text{cm}$

Storage life

min. 12 months
(in original packaging)

Status

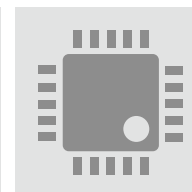
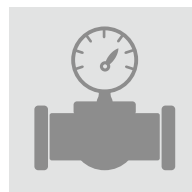
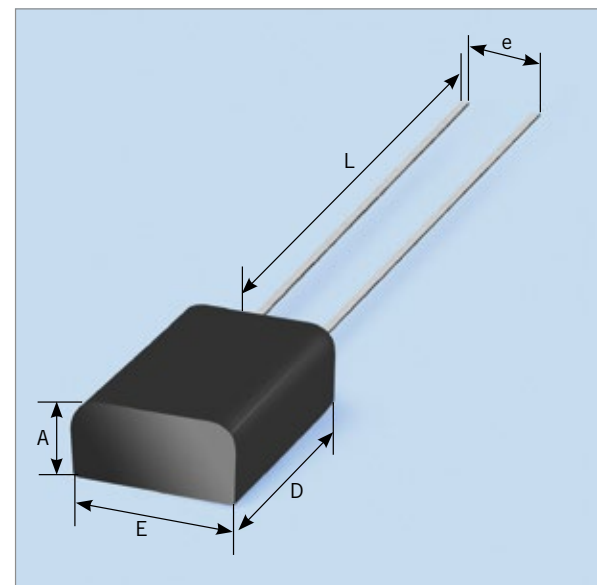
02/2016

Supply range

The standard types listed in the catalog with their various features are the most frequently used designs. They can be obtained at short notice and at reasonable prices.

Non-standard versions are available for special applications.

Contact us!



X-ON Electronics

Largest Supplier of Electrical and Electronic Components

Click to view similar products for [Industrial Temperature Sensors](#) category:

Click to view products by [Heraeus Sensor](#) manufacturer:

Other Similar products are found below :

[590-32AC34-103-WRI](#) [590-59CN02-103](#) [G9864ST22F0](#) [HEL-705-U-0-12-C1](#) [HEL-736-U-2-36](#) [HEL-717-U-0-24-00](#) [519-39AW09-245](#)
[519-39CH01-295](#) [535-32AB36-202](#) [535-34AE08-303](#) [512-32AQ01-503](#) [521-33AG04-303](#) [521-53BR01-503](#) [E52P6DY4M](#) [535-34AE09-222](#)
[590-32AC34-103](#) [590-32AD05-103](#) [HEL-705-U-0-36-00](#) [E52-CA6D-N 4M](#) [E52-P6DY 2M](#) [E52-P20C-N D=8](#) [E52-THE5A 100-200 2M](#)
[HRTS-5760-B-T-0-18](#) [6655-71990001](#) [LTPCTGA20MBSIBX01](#) [LTPCTAA20MDSIEX01](#) [BB-HS-104T2505402](#) [NCP81255MNTXG](#) [HEL-](#)
[707-T-1-24-00](#) [HEL-716-U-0-24-00](#) [USW2247](#) [R-11614-1](#) [RP103ST22P2](#) [R-10331-3F6](#) [E52-P20AY-D32 4M](#) [B57045K0222K000](#)
[B57045K0154K000](#) [PPG102A6](#) [R-7119](#) [R-8949-34](#) [BB-WTJ-10-36-TT](#) [20006233-00](#) [USW2889](#) [E52-P35C-ND3.2](#) [IWTTP100A](#) [NB-](#)
[PTCO-142](#) [B57045K0682K000](#) [R-10224-16](#) [R-1630](#) [R-8204](#)