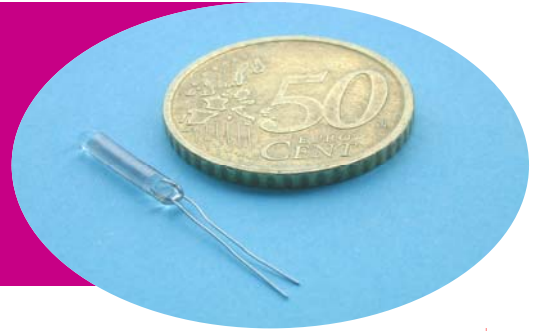


Temperature Sensor  
Glass Wire-Wound  
Resistance Element  
Type G0  
(-200°C to +400°C)



*Glass wire-wound for  
severe applications*

**APPLICATIONS**

- Chemical and pharmaceutical industry
- Food industry
- H.V.A.C.
- Power generation plants
- Analytical equipment
- Aerospace industry
- Marine

**SPECIAL FEATURES**

- Small dimensions
- Good temperature stability
- Abrasion resistant
- High lead wire pull strength
- Resistance to harsh environments (acid, oil, solvent, etc.)

**DESIGN**

One or two platinum bands wound on a solid glass core and homogeneously sealed with external tube. The lead wire connection has high pull strength.

**NOMINAL VALUE**

- 100  $\Omega$  at 0°C
- Temperature coefficient  $\alpha = 3850$  ppm/K

**TOLERANCE CLASS**

- IEC 751 : class B, A and B/3
- Closer tolerances in restricted temperature range

**TEMPERATURE RANGE**

- From -200°C to +400°C

**CONNECTION WIRES**

- Platinum coated nickel wires

**HOUSING ADVICE**

- May be used in most liquids without protection (water, oil, solvent, acid)

**RESISTANCE AND STABILITY**

- High vibration resistance
- Resistant to external forces and pressure

**OPTIONS**

- Lead wire length
- Extension cable
- Glass shape (diameter, length, bend, etc.)
- Ohmic values

Attention : All technical data and recommendations concerning the products and services of our firm are for information purposes only. No data given in our technical datasheets guarantee particular properties to any products. They represent values obtained by experience and are intended as guidelines only. Seller reserves the right to make alterations in illustrations and technical data printed, resulting from further development.

**Heraeus Sensor Technology USA**

1901 Route 130  
North Brunswick, NJ 08902  
Phone 732-940-4400 Fax 732-940-4445  
Email [info.hst-us@heraeus.com](mailto:info.hst-us@heraeus.com)  
[www.hst-us.com](http://www.hst-us.com)

Rev. 03-04  
HSTUSA 10/09

# Standard Product

## Type GO

Type	Designation	Reference	Nominal reference <i>(Ohm at 0°C)</i>	L	WL	D	AL1	AL2	A	Self-heating in air <i>(K/mW)</i>	Response time			
											Water v = 0,4 m/s		Air v = 1 m/s	
											10,5	10,9	10,5	10,9

### Class B

1Pt100	GO 1020	SB0789	100	10	6	2,0	15	-	0,25	0,26	0,14	0,35	7	21
1Pt100	GO 1327	SB0865	100	13	9	2,7	15	-	0,25	0,11	0,40	1,30	13	25
1Pt100	GO 1545	SB0862	100	15	9,5	4,5	15	-	0,25	0,09	0,80	2,40	16	40
1Pt100	GO 2327	SB0870	100	23	16	2,7	15	-	0,25	0,11	0,40	1,30	13	25
1Pt100	GO 3045	SB0873	100	30	21	4,5	15	-	0,25	0,09	0,80	2,40	16	40
2Pt100	GO 4845	SB0765	100	48	35	4,5	10	12	0,25	0,09	0,80	2,40	16	40

### Class A

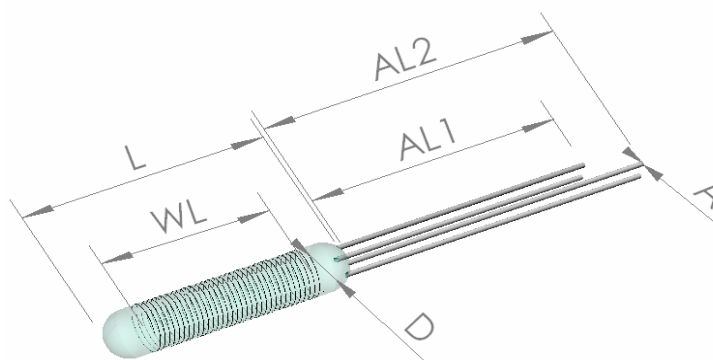
1Pt100	GO 1020	SB0794	100	10	6	2,0	15	-	0,25	0,26	0,14	0,35	7	21
1Pt100	GO 1327	SB0866	100	13	9	2,7	15	-	0,25	0,11	0,40	1,30	13	25
1Pt100	GO 1545	SB0863	100	15	9,5	4,5	15	-	0,25	0,09	0,80	2,40	16	40
1Pt100	GO 2327	SB0871	100	23	16	2,7	15	-	0,25	0,11	0,40	1,30	13	25
1Pt100	GO 3045	SB0874	100	30	21	4,5	15	-	0,25	0,09	0,80	2,40	16	40

### Class B/3

1Pt100	GO 1020	SB0795	100	10	6	2,0	15	-	0,25	0,26	0,14	0,35	7	21
1Pt100	GO 1327	SB0867	100	13	9	2,7	15	-	0,25	0,11	0,40	1,30	13	25
1Pt100	GO 1545	SB0864	100	15	9,5	4,5	15	-	0,25	0,09	0,80	2,40	16	40
1Pt100	GO 2327	SB0872	100	23	16	2,7	15	-	0,25	0,11	0,40	1,30	13	25
1Pt100	GO 3045	SB0875	100	30	21	4,5	15	-	0,25	0,09	0,80	2,40	16	40

### DIMENSIONAL TOLERANCES :

L	(length of body)	= ± 2 mm
D	(diameter of body)	= ± 0,2 mm
AL	(connection wire length)	= ± 2 mm
A	(connection wire diameter)	= ± 0,02 mm



## X-ON Electronics

Largest Supplier of Electrical and Electronic Components

*Click to view similar products for [Industrial Temperature Sensors](#) category:*

*Click to view products by [Heraeus Sensor](#) manufacturer:*

Other Similar products are found below :

[590-32AC34-103-WRI](#) [590-59CN02-103](#) [G9864ST22F0](#) [HEL-705-U-0-12-C1](#) [HEL-736-U-2-36](#) [HEL-717-U-0-24-00](#) [519-39AW09-245](#)  
[519-39CH01-295](#) [535-32AB36-202](#) [535-34AE08-303](#) [512-32AQ01-503](#) [521-33AG04-303](#) [521-53BR01-503](#) [E52P6DY4M](#) [535-34AE09-222](#)  
[590-32AC34-103](#) [590-32AD05-103](#) [HEL-705-U-0-36-00](#) [HEL-705-U-1-12-C2](#) [E52-CA6D-N 4M](#) [E52-P6DY 2M](#) [E52-P20C-N D=8](#) [E52-](#)  
[THE5A 100-200 2M](#) [HRTS-5760-B-T-0-18](#) [6655-71990001](#) [LTPCTGA20MBSIBX01](#) [LTPCTAA20MDSIEX01](#) [BB-HS-104T2505402](#)  
[NCP81255MNTXG](#) [HEL-707-T-1-24-00](#) [HEL-716-U-0-24-00](#) [USW2247](#) [R-11614-1](#) [RP103ST22P2](#) [R-10331-3F6](#) [E52-P20AY-D32 4M](#)  
[B57045K0222K000](#) [B57045K0154K000](#) [PPG102A6](#) [R-7119](#) [R-8949-34](#) [BB-WTJ-10-36-TT](#) [20006233-00](#) [USW2889](#) [E52-P35C-ND3.2](#)  
[NB-PTCO-142](#) [B57045K0682K000](#) [R-10224-16](#) [R-1630](#) [R-8204](#)