

“Stay Connected” with



Strain Relief Bushings

a PennEngineering® Company



## Heyco® Liquid Tight Strain Relief Bushings

*The Ultimate in Snap-In Strain Relief Protection*

Snap-in, Low Profile Design allows for Pre-assembled Cables

**ALL NEW  
PRODUCT!**

CABLE DIAMETER RANGE		PANEL DIMENSIONS		PART NO.	DESCRIPTION	PART DIMENSIONS		CAST PLIER	NYLON PLIER ADAPTOR (Included)	Mounting Hole Plug				
Minimum	Maximum	A Mounting Hole Dia.	Finished Fit Panel Thickness*			C Head Diameter	D Overall Height				PART NO.	PART NO.		
in.	mm.	in.	mm.	Black		in.	mm.			Part No.				
<b>For .875 (22,2 mm) Mounting Hole</b>														
.280	7,1	.330	8,4	.875	22,2	.094	2,4	1.29	32,8	.99	25,1	0029	0029A**	2509
						.188	4,8							
.330	8,4	.440	11,2	.875	22,2	.094	2,4							
						.188	4,8							

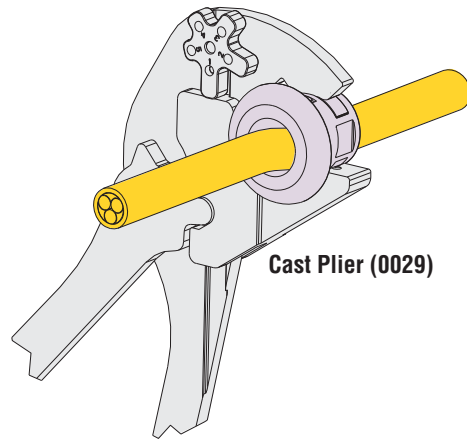
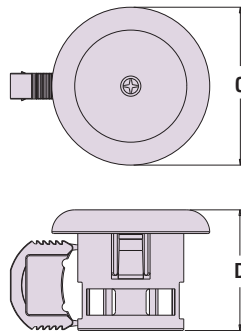
Standard color black.

\* Maximum Panel Thickness. Part has additional clearance.

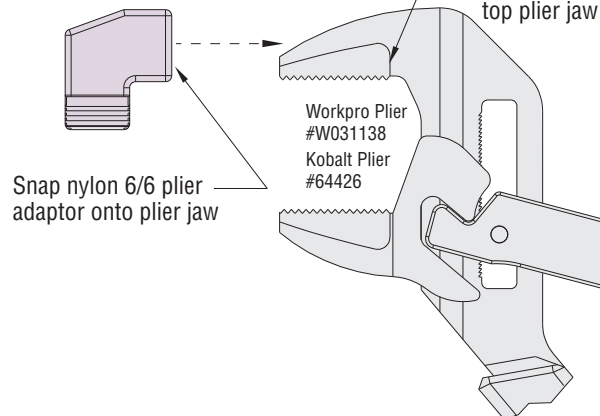
\*\* Nylon Adaptor (0029A) included for Alternate Plier Crimping Method, but not required for Cast Plier Method –

Nylon Adaptor (0029A) compatible with 10" pliers, either Workpro item #W031138 or Kobalt item #64426 (available commercially).

- These low profile co-molded nylon and elastomer parts function as a Liquid Tight Strain Relief with a cable.
- cULus approved under UL 514B.
- Low profile design: height above panel is less than .188" (4,8mm).
- Can be pre-assembled to the cable prior to installation.
- Assembles to cables with a simple hand plier for easy installation.
- Smooth, rounded interior edges for ease of installation.
- **Fast and easy installation.**
- Available in multiple sizes for cable diameters ranging from .280" (7,1 mm) to .440" (11,2 mm).
- We recommend using the fitting with the smallest maximum diameter that will fit your application.
- Meet UL strain relief requirements without bending or kinking the cable.
- Special colors available—consult Heyco.



Nylon Adaptor (0029A)



*Quick  
Specs*

Material	Nylon 6/6 w/TPE Top
Certifications	Listed under Underwriters' Laboratories File E51579
Flammability Rating	94V-0
Temperature Range	-40°F (-40°C) to 212°F (100°C)
IP Rating	IP 65, 66, 67 and 68 (IP 68 is 25psi for 24hrs)

## X-ON Electronics

Largest Supplier of Electrical and Electronic Components

*Click to view similar products for [Pliers & Tweezers](#) category:*

*Click to view products by [Heyco](#) manufacturer:*

Other Similar products are found below :

[0031](#) [32750](#) [PN-5050/38D](#) [PG-TP-30D](#) [4-1532129-2](#) [77 12 115](#) [0037](#) [T0058765801](#) [RT400SGSET2](#) [571](#) [76C](#) [MICROFOX-SP-1\\_DB](#) [37](#)  
[31 125](#) [RX 8130](#) [37 33 125](#) [DRP10N](#) [36 12 130](#) [0036](#) [64 11 115](#) [0032](#) [T3627B 7](#) [64 02 115](#) [ESD](#) [6211-06](#) [6214-45](#) [6231-07](#) [6231-08](#) [6411-](#)  
[06](#) [DP20N](#) [PN 5050/10D](#) [TR 20 M](#) [TR 25 15](#) [TR 25 P A](#) [TR 30 58 R A](#) [TR 30 V](#) [TR 5000](#) [TR 5000 PG](#) [MICROFOX-SP\\_DB](#) [CUTFOX-SE](#)  
[LM](#) [CUTFOX-SE LM\\_DB](#) [FMHT0-80519](#) [TR 58 R A](#) [27388](#) [43333](#) [102ACAX](#) [103ACA](#) [141SAP](#) [150SAD](#) [150SAMB](#) [150SAMF](#) [151SA](#)