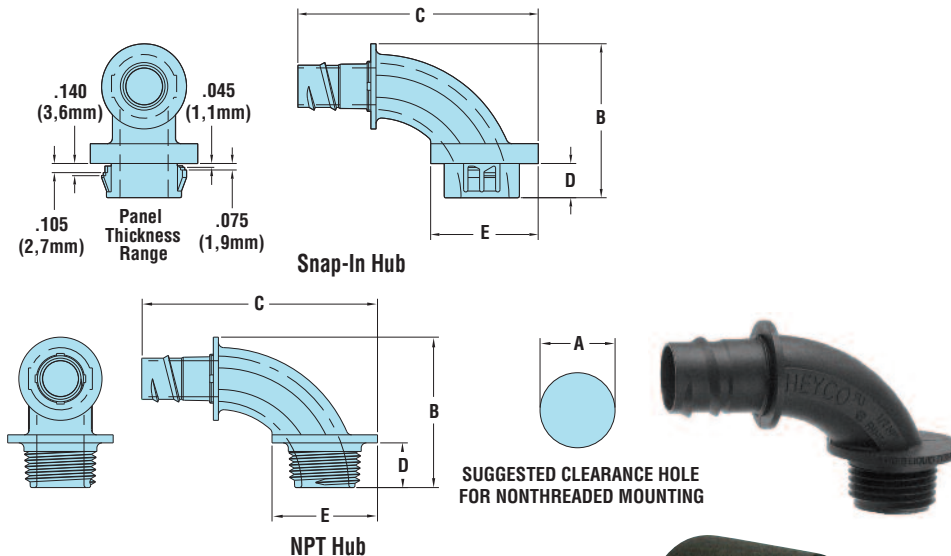


Heyco-Flex™ Quick Twist Conduit Fittings

For use with Heyco-Flex™ I and II Conduit and Tubing
90° Sweep, Snap-In and NPT Hubs

FITS TUBING TRADE SIZE	PART NO.		DESCRIPTION	PART DIMENSIONS									
	Black	Gray		A Mounting Hole Dia.		B Max O.A. Height		C Max O.A. Length		D Hub Length		E Flange Dia.	
				in.	mm.	in.	mm.	in.	mm.	in.	mm.	in.	mm.
Snap-In Hubs - For use with Heyco-Flex™ II Tubing only													
3/8	8500	8501	HFC 3/8-S-90-Twist	.875	22,2	1.75	44,6	2.75	69,8	.39	9,9	1.23	31,2
1/2	8505	8506	HFC 1/2-S-90-Twist										
3/4	8510	8511	HFC 3/4-S-90-Twist	1.109	28,2	1.97	50,0	3.08	78,3	.39	9,9	1.50	38,1
NPT Hubs - For use with Heyco-Flex™ I and II Conduit and Tubing													
3/8	8502	8503	HFC 3/8-90-Twist	.875	22,2	1.75	44,6	2.75	69,8	.51	13,2	1.23	31,2
1/2	8507	8508	HFC 1/2-90-Twist										
3/4	8512	8513	HFC 3/4-90-Twist	1.109	28,2	2.11	53,5	3.08	78,3	.53	13,5	1.50	38,1

Standard colors black and gray. Consult Heyco for other colors.



Heyco® Quick Twist Assembly Tool

For use with Heyco-Flex™ Quick Twist Fittings

PART NO.	THREAD SIZE	Hub Type
0055	3/8 & 1/2	Snap-In
0056	3/4	
0057	3/8 & 1/2	NPT
0058	3/4	

Material	Nylon 6/6
Certifications	Recognized under the Component Program of Underwriters' Laboratories File E121095 (Snap-in Hubs) UL Listed under Underwriters' Laboratories File E28430 (NPT Hubs)
Flammability Rating	94V-2
Temperature Range	-22°F (-30°C) to 221°F (105°C)



- One-piece solution with smooth internal surfaces provides for easier wire routing, protection, and installation around corner angles.
- Easy, permanent assembly: the installer twists the tubing over the connector ferrule.
- Unique locking fingers accommodate various panel thicknesses.
- All nylon construction is resistant to salt water, weak acids, gasoline, alcohol, oil, grease, and common solvents. (This feature is not assessed by UL certification and testing.)
- Suitable for a wide array of electrical applications:
 - Commercial and Industrial HVAC Systems
 - Motorized Equipment
 - Enclosed Power Sources
 - Garage Door Openers
 - Major Appliances
- Finishing collars available to neaten rough cut tubing ends (see page 2-13).
- Assembly Tool available for assembling Quick Twist Fittings into HF1 and HF2 Conduit and Tubing.

Snap-In Hubs

- Snap-in Fittings are UL recognized for use with Heyco-Flex II Tubing.
- Suitable for dry location only.

NPT Hubs

- NPT threaded fittings are UL approved for use with Heyco-Flex I & II Conduit and Tubing.
- If using a tapped hole, Teflon® tape is needed on the threads of the connector, for all other applications an O-ring and Locknut are needed to attain liquid tight.
- **Locknuts not included.** To order nylon or metal locknuts separately, see pages 2-17 and 2-18.
- See page 2-20 for O-Rings.

Quick
Specs

X-ON Electronics

Largest Supplier of Electrical and Electronic Components

Click to view similar products for [Conduit Fittings & Accessories](#) category:

Click to view products by [Heyco](#) manufacturer:

Other Similar products are found below :

[M3231GAB](#) [M3231GAC](#) [M3231GAE](#) [M3231GL](#) [M3231GN](#) [M3231GT](#) [VC-937-16/RED](#) [VC-562-16/RED](#) [VC-1125-16/RED](#) [DM0240-1/2A](#) [3408B](#) [G6002](#) [M4340GAE](#) [C2016-P](#) [C2012-P](#) [3407B](#) [1660-P](#) [561-87BG11BLK](#) [561-75BG11B](#) [BVNV-P428](#) [BVBV-P366](#) [2276](#) [2663-P](#) [3405B](#) [C2070-P](#) [3582V](#) [4975](#) [2644-P](#) [2955](#) [M50](#) [2404-P](#) [2291](#) [2133-P](#) [3048F](#) [VC12516](#) [RC156-0500](#) [DM0523-1/2A](#) [1035A](#) [DMS0250-1A](#) [DMS0313-1A](#) [1040A](#) [1050A](#) [R1/8A](#) [DMPC0490-1/2A](#) [DMPC0521-1/2A](#) [DMPC0552-1/2A](#) [1070A](#) [R1/2A](#) [E1-7/8B](#) [061A](#) [R3/4A](#)