

"Stay Connected" with



Strain Relief Bushings

a PennEngineering® Company

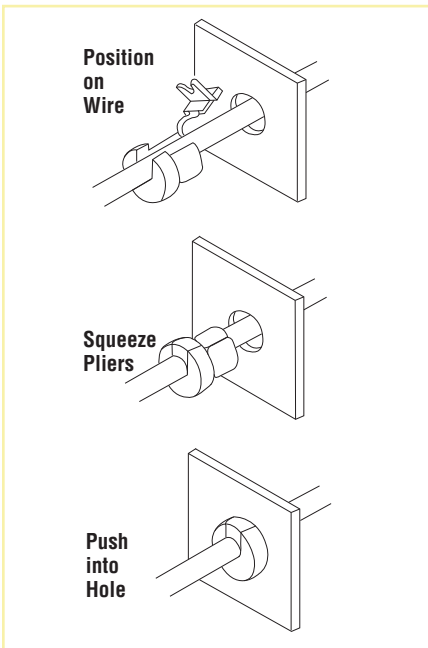


Heyco® Original Strain Relief Bushings

Straight-Thru for Round Cables

.375" (9,5 mm) to .500" (12,7 mm) Mounting Holes

- **Protects the lifeline of your electric/electronic products** by absorbing the forces of pull, push, and twist that maybe exerted on the flexible power cord.
- Securely anchors, insulates, and protects cables at panel entry points.
- Sizes SR 2-Series to SR 6-Series for mounting hole diameters from .375" (9,5 mm) to .500" (12,7 mm).
- See page 4-38 for corresponding **Mounting Hole Plugs** which can be used to fill blank/unused Mounting Holes and thus allow for a single panel design for multiple applications.
- See pages 4-27 & 4-28 for SR assembly tools.
- **See schematic on page 4-20.**
- For Double D Mounting Hole Punches, see page 4-30.



| WILL FIT THESE CABLES | | | | PANEL DIMENSIONS | | | | | | PART NO. | DESCRIPTION | PART DIM. | | Mounting Hole Plug PART NO. | |
|------------------------------------|----------------|------------------|---------|----------------------|-----------|-----------------------|------|-------------------------------|------|-------------|-------------|-----------|---------------|-----------------------------|---------------|
| UL Type | AWG/Conductors | Approximate Size | | A Mounting Hole Dia. | | B To Prevent Rotation | | Finished Fit Panel Thickness* | | | | Black | C BODY LENGTH | | in. |
| | | in. | mm. | in. | mm. | in. | mm. | in. | mm. | | | | | | |
| AWM | 12/1 | .125-.187 | 3,2-4,8 | .375 | 9,5 | .330 | 8,4 | .062 | 1,6 | 1060 | SR 2M-1 | .406 | 10,3 | 2617 | |
| SV & SVT | 18/2 | .220-.245 | 5,6-6,2 | .500 | 12,7 | .450 | 11,4 | .062 | 1,6 | 1157 | SR 5MN-3 | .438 | 11,1 | 2491 | |
| Same as SR 5MN-3 above except | | | | | | | | | .100 | 2,5 | 1140 | SR 5M-3 | .438 | 11,1 | 2491 |
| For custom interlock cable, not UR | | .250 | 6,4 | .560 | 14,2 | .730 | 18,5 | .125 | 3,2 | 1487 | SR 30-1A** | .672 | 17,1 | consult Heyco | |
| | | .265 | 6,7 | .560 | 14,2 | .730 | 18,5 | .125 | 3,2 | 1490 | SR 30-1B** | | | | |
| SV & SVT | 18/2 | .250 | 6,4 | .500 | 12,7 | .450 | 11,4 | .062 | 1,6 | 1150 | SR 5N-4 | .438 | 11,1 | 2491 | |
| | 18/3 | .255 | 6,5 | .500-.515 | 12,7-13,1 | | | | | | | | | | |
| HPD | 18/2 | .270 | 6,9 | .500 | 12,7 | .450 | 11,4 | .062 | 1,6 | 1150 | SR 5N-4 | .438 | 11,1 | 2491 | |
| | 16/2 | .290 | 7,4 | .500-.515 | 12,7-13,1 | | | | | | | | | | |
| SJT | 18/2 | .300 | 7,6 | .531 | 13,5 | .450 | 11,4 | .062 | 1,6 | 1150 | SR 5N-4 | .438 | 11,1 | 2491 | |
| Same as SR 5N-4 above except | | | | | | | | | | | | | | | .100 |
| | | | | | | | | | .156 | 4,0 | 1154 | SR 5L-1 | .438 | 11,1 | consult Heyco |
| SV & SVT | 18/2 | .255 | 6,5 | .500 | 12,7 | .450 | 11,4 | .100 | 2,5 | 1137 | SR 5P3-4 | .438 | 11,1 | 2491 | |
| | 18/3 | .270 | 6,9 | | | | | | | | | | | | |
| HPD | 18/2 | .290 | 7,4 | .500 | 12,7 | .465 | 11,8 | .090 | 2,3 | 1184 | SR 6W-1 | .438 | 11,1 | 2491 | |
| SJ, SJT & SJO | 18/2 | .300 | 7,6 | | | | | | | | | | | | |
| SPT-3 | 16/2 | | | | | | | | | | | | | | |

Standard color black. Consult Heyco for white and other colors.

*Maximum Panel Thickness. Part has additional clearance. Consult Heyco for your Custom Finished Fit Panel Thickness.

**Use Elongated Mounting Hole.

Quick Specs

Material
Certifications

Nylon 6/6



Recognized under the Component Program of Underwriters' Laboratories File E15331



Certified by the Canadian Standards Association File 8919

Flammability Rating
Temperature Range

94V-2

-.04°F (-18°C) to 221°F (105°C)

X-ON Electronics

Largest Supplier of Electrical and Electronic Components

Click to view similar products for [Cable Glands, Strain Reliefs & Cord Grips](#) category:

Click to view products by [Heyco](#) manufacturer:

Other Similar products are found below :

[1218](#) [1300980012](#) [1300980105](#) [DBZM-6828](#) [1498](#) [915](#) [300623](#) [5632NM](#) [1124](#) [1151](#) [561-MP6P4WH](#) [5534M](#) [9000005073](#) [52104486](#)
[5315817](#) [N16 025 0112 1](#) [N16 020 0112 1](#) [M6106](#) [7422](#) [NG-9516 Gasket](#) [N16 016 0112 1](#) [NG-9514 Gasket](#) [52006151](#) [2704](#) [1.097.2012.50](#)
[1.152.1300.01](#) [1.152.2000.50](#) [1.152.2100.01](#) [1.152.4000.50](#) [1.209.1218.70](#) [1.209.6400.71](#) [1.609.1100.01](#) [1.609.2900.15](#) [1.609.3200.52](#)
[1.609.5000.51](#) [1.609.6300.50](#) [1.676.2500.50](#) [53112705](#) [53112715](#) [53112735](#) [53119073](#) [54115405](#) [52004120](#) [52001894](#) [53018160](#)
[APGPG36BA](#) [1300990004](#) [1.033.0913.01](#) [1.033.1116.01](#) [1.033.2936.01](#)