

“Stay Connected” with



Strain Relief Bushings

a PennEngineering® Company

Heyco® RDD Lockit™ Strain Relief Bushings – Right Angle

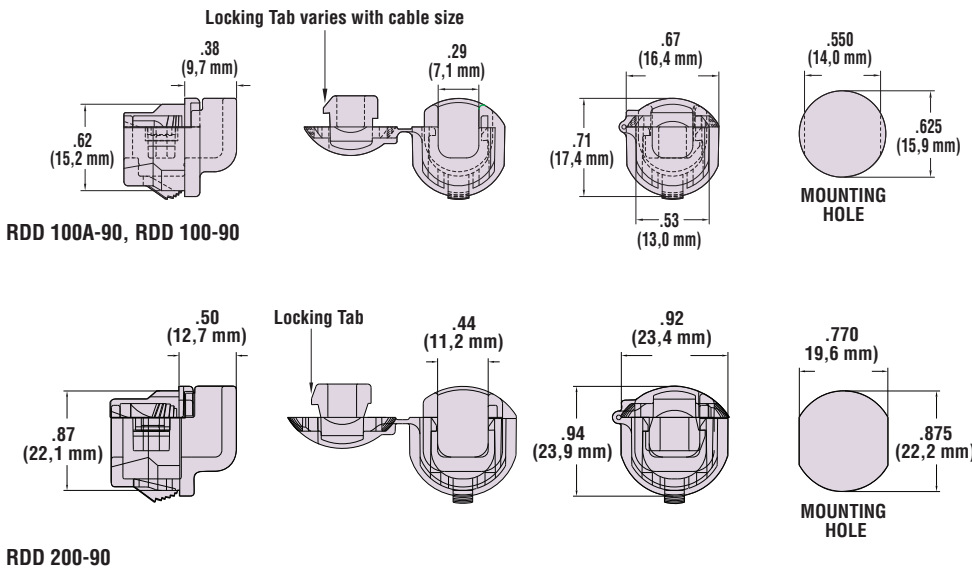
Snap onto **Flat Cables** for Faster Assembly into **Double D Mounting Holes** – *Semi-Automatic Equipment Available*



UL Type	WILL FIT THESE CABLES		PANEL DIMENSIONS				RDD LOCKIT STRAIN RELIEF for Faster Assembly			Corresponding Mounting Hole Plug		
	AWG/ Conductors	Approximate Size	Mounting Hole Size		Thickness		Black	White	DESC.	PART NO.	DESC.	
SPT-1	18/2	.105 x .222	2,7 x 5,6	.625 w/	15,9 w/	.032	0,8	1806	1807	RDD 100A-90	2497	DD 625-550
						.040	1,1					
	18/3	.116 x .315	2,9 x 8,0	.550 flats	14,0 flats	.048	1,2					
						.063	1,6					
SPT-2, HPN	18/2	.116 x .315	2,9 x 8,0	.625 w/	15,9 w/	.032	0,8	1808	1809	RDD 100-90	2497	DD 625-550
						.040	1,1					
	18/3	.160 x .300	4,1 x 7,6	.550 flats	14,0 flats	.048	1,2					
						.063	1,6					
HPN	16/3	.160 x .300	4,1 x 7,6	.550 flats	14,0 flats	.099	2,5	1810	1811	RDD 200-90	2509	DD 875-770
						.032	0,8					
SPT-2	18/3	.15 x .40	3,8 x 10,2	.875 w/	22,2 w/	.063	1,6	1810	1811	RDD 200-90	2509	DD 875-770
						.099	2,5					
SPT-3	18/2	.19 x .35	4,8 x 8,9	.770 flats	19,6 flats	.126	3,2	1810	1811	RDD 200-90	2509	DD 875-770
						16/3	.20 x .43					
	14/2	.24 x .42	6,1 x 10,7									

Standard color black. Consult Heyco for white and other colors.

- **Right Angle design eases the cable into the bend**, prevents kinking and assures longest cable and product life.
- Assembly friendly! Independent of insertion into the panel, RDD Lockit™ Strain Reliefs self-lock onto the cable. Preassemble RDD Lockits off line for final assembly at a later time or remote location, for lower installed cost!
- Install easily with fingertip pressure into a standard round or Double D hole. No tools required, even for hand assembly.
- Protect the lifeline of your electric/electronic products by absorbing the forces of push and pull that may be exerted on the flexible power cord. Double D design eliminates the possibility of part rotation under forces of twist.
- Multiple panel locking steps secure Lockit Strain Reliefs into a wide range of panel thicknesses for a **flush, finished fit**.
- Heyco’s automated Pre-Assembly Equipment speeds assembly of the RDD onto the cable and thus lowers costs while greatly reducing risk of carpal tunnel syndrome. See pages 4-15 & 4-16.
- Consult Heyco for other wire types and sizes.
- See page 4-38 for corresponding **Mounting Hole Plugs** which can be used to fill blank/unused Mounting Holes and thus allow for a single panel design for multiple applications.
- For Double D Mounting Hole Punches, see page 4-30.



Material	Nylon 6/6
Certifications	Recognized under the Component Program of Underwriters' Laboratories File E15331 Certified by the Canadian Standards Association File 8919
Flammability Rating	94V-2
Temperature Range	-.04°F (-18°C) to 221°F (105°C).

Quick Specs

X-ON Electronics

Largest Supplier of Electrical and Electronic Components

Click to view similar products for [Cable Glands, Strain Reliefs & Cord Grips](#) category:

Click to view products by [Heyco](#) manufacturer:

Other Similar products are found below :

[1218](#) [1300980012](#) [1300980105](#) [DBZM-6828](#) [1498](#) [915](#) [300623](#) [5632NM](#) [1124](#) [1151](#) [561-MP6P4WH](#) [5534M](#) [9000005073](#) [52104486](#)
[5315817](#) [N16 025 0112 1](#) [N16 020 0112 1](#) [M6106](#) [7422](#) [NG-9516 Gasket](#) [N16 016 0112 1](#) [NG-9514 Gasket](#) [52006151](#) [2704](#) [1.097.2012.50](#)
[1.152.1300.01](#) [1.152.2000.50](#) [1.152.2100.01](#) [1.152.4000.50](#) [1.209.1218.70](#) [1.209.2100.15](#) [1.209.6400.71](#) [1.609.1100.01](#) [1.609.2900.15](#)
[1.609.3200.52](#) [1.609.5000.51](#) [1.609.6300.50](#) [1.676.2500.50](#) [53112705](#) [53112715](#) [53112735](#) [53119073](#) [54115405](#) [52004120](#) [52001894](#)
[53018160](#) [APGPG36BA](#) [1300990004](#) [1.033.0913.01](#) [1.033.1116.01](#)