



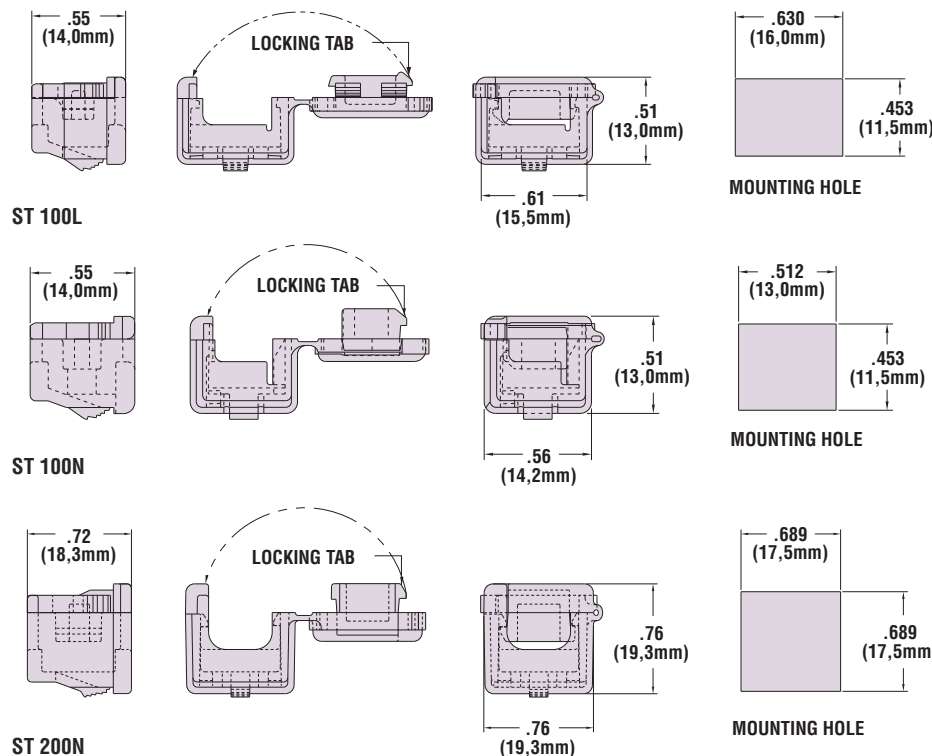
## Heyco® ST Lockit™ Strain Relief Bushings

Snap onto **Flat Cables** for Faster Assembly into **Rectangular Mounting Holes** - *Semi-Automatic Equipment Available*



| UL Type     | WILL FIT THESE CABLES |                  | PANEL DIMENSIONS   |             |             |      | ST LOCKIT STRAIN RELIEF for Faster Assembly |       |       | Corresponding Mounting Hole Plug |       |               |
|-------------|-----------------------|------------------|--------------------|-------------|-------------|------|---|-------|-------|----------------------------------|-------|---------------|
|             | AWG/Conductors        | Approximate Size | Mounting Hole Size |             | Thickness   |      | Black                                       | White | DESC. | PART NO.                         | DESC. |               |
|             |                       | in.              | mm.                | in.         | mm.         | in.  | mm.   |       |       |                                  |       |               |
| SPT-3       | 16/3                  | .03 x .10        | 0,8 x 2,5          | .453 x .630 | 11,5 x 16,0 | .032 | 0,8   | 1847  | 1846  | ST 100L                          | -     | consult Heyco |
| HPN         | 18/3                  | .11 x .38        | 2,7 x 9,7          |             |             | .040 | 1,1   |       |       |                                  |       |               |
| SPT-2       | 18/2                  | .14 x .27        | 3,3 x 6,9          |             |             | .063 | 1,6   |       |       |                                  |       |               |
| SPT-1       | 18/2                  | .12 x .22        | 3,0 x 5,6          | .453 x .512 | 11,5 x 13,0 | .032 | 0,8   | 1829  | 1830  | ST 100N                          | 1890  | RP 115-130    |
|             | 18/3                  | .12 x .30        | 3,0 x 7,6          |             |             | .040 | 1,1   |       |       |                                  |       |               |
| SPT-2 & HPN | 18/2                  | .15 x .28        | 3,8 x 7,1          |             |             | .048 | 1,2   |       |       |                                  |       |               |
|             | 16/2                  | .16 x .30        | 4,1 x 7,6          |             |             | .063 | 1,6   |       |       |                                  |       |               |
| HPN         | 16/3                  | .16 x .37        | 4,1 x 9,4          |             |             | .099 | 2,5   |       |       |                                  |       |               |
|             | 18/3                  | .15 x .34        | 3,8 x 8,6          |             |             |      |   |       |       |                                  |       |               |
| SPT-2       | 16/3                  | .16 x .41        | 4,1 x 10,4         | .689 x .689 | 17,5 x 17,5 | .032 | 0,8   | 1834  | 1835  | ST 200N                          | 1892  | RP 175-175    |
|             | 18/2                  | .19 x .35        | 4,8 x 8,9          |             |             | .063 | 1,6   |       |       |                                  |       |               |
| SPT-3       | 18/3                  | .19 x .39        | 4,8 x 9,9          |             |             | .099 | 2,5   |       |       |                                  |       |               |
|             | 16/2                  | .20 x .37        | 5,1 x 9,4          |             |             | .126 | 3,2   |       |       |                                  |       |               |
|             | 16/3                  | .20 x .43        | 5,1 x 10,9         |             |             | .157 | 4,0   |       |       |                                  |       |               |
|             | 14/2                  | .24 x .42        | 6,1 x 10,7         |             |             |      |   |       |       |                                  |       |               |

Standard color black. Consult Heyco for white and other colors.



- **Assembly friendly!** Independent of insertion into the panel, Lockit Strain Reliefs **self-lock** onto the cable. Preassemble off line for final assembly at a later time or remote location, for lower installed cost!
- Lockit Strain Reliefs hold so well they pass the UL pullout test requirements with or without panel support.
- Protect the lifeline of your electric/electronic products by absorbing the forces of push and pull that may be exerted on the flexible power cord. Rectangular design eliminates the possibility of part rotation under forces of twist.
- Lockit's three finger design securely anchors into panels as thin as .032" (0,8 mm) and as thick as .157" (4,0 mm) for a neat, clean appearance. Five locking steps accommodate a wide range of panel thickness. Low profile head satisfies design aesthetics!
- Heyco's automated Pre-Assembly Equipment speeds assembly of the Lockit onto the cable and thus lowers costs while greatly reducing risk of carpal tunnel syndrome. See pages 4-15 & 4-16.
- Consult Heyco for other wire types and sizes.
- See page 4-38 for corresponding **Mounting Hole Plugs** which can be used to fill blank/unused Mounting Holes and thus allow for a single panel design for multiple applications.
- **For Quick Specs see page 4-5.**

## X-ON Electronics

Largest Supplier of Electrical and Electronic Components

*Click to view similar products for [Cable Glands, Strain Reliefs & Cord Grips](#) category:*

*Click to view products by [Heyco](#) manufacturer:*

Other Similar products are found below :

[1218](#) [1300980012](#) [1300980105](#) [DBZM-6828](#) [1498](#) [915](#) [300623](#) [5632NM](#) [1124](#) [1151](#) [561-MP6P4WH](#) [5534M](#) [9000005073](#) [52104486](#)  
[5315817](#) [N16 025 0112 1](#) [N16 020 0112 1](#) [M6106](#) [7422](#) [NG-9516 Gasket](#) [N16 016 0112 1](#) [NG-9514 Gasket](#) [52006151](#) [2704](#) [1.097.2012.50](#)  
[1.152.1300.01](#) [1.152.2000.50](#) [1.152.2100.01](#) [1.152.4000.50](#) [1.209.1218.70](#) [1.209.6400.71](#) [1.609.1100.01](#) [1.609.2900.15](#) [1.609.3200.52](#)  
[1.609.5000.51](#) [1.609.6300.50](#) [1.676.2500.50](#) [53112705](#) [53112715](#) [53112735](#) [53119073](#) [54115405](#) [52004120](#) [52001894](#) [53018160](#)  
[APGPG36BA](#) [1300990004](#) [1.033.0913.01](#) [1.033.1116.01](#) [1.033.2936.01](#)