

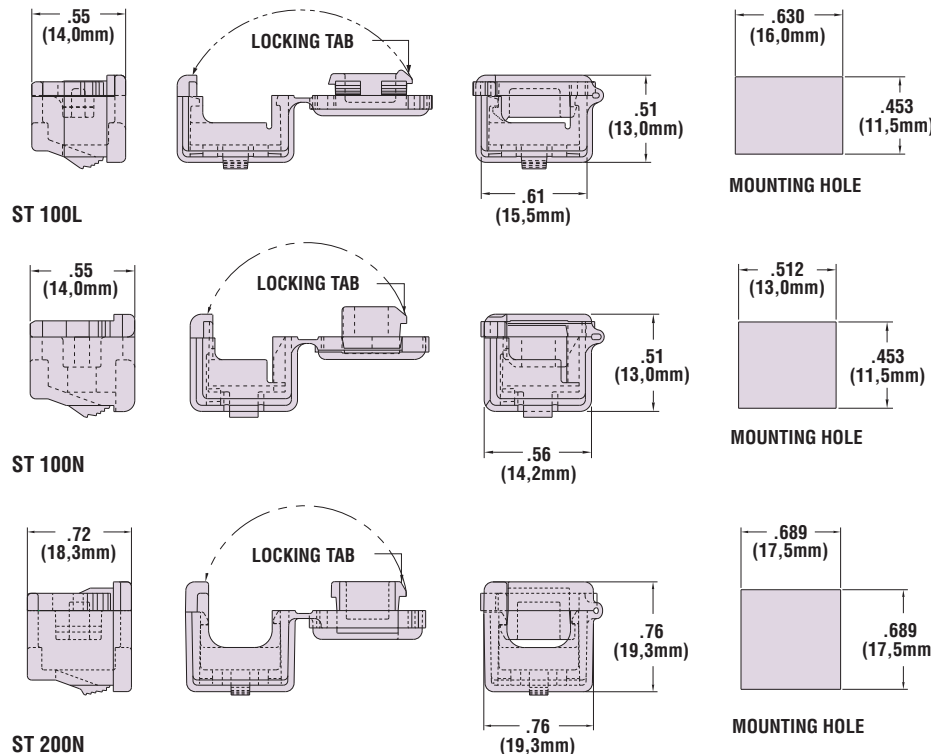


## Heyco® ST Lockit™ Strain Relief Bushings

Snap onto **Flat Cables** for Faster Assembly into **Rectangular Mounting Holes** – *Semi-Automatic Equipment Available*

UL Type	WILL FIT THESE CABLES		PANEL DIMENSIONS				ST LOCKIT STRAIN RELIEF for Faster Assembly			Corresponding Mounting Hole Plug		
	AWG/ Conductors	Approximate Size	Mounting Hole Size		Thickness		Black	White	DESC.	PART NO.	DESC.	
		in.	mm.	in.	mm.	in.	mm.					
SPT-3	16/3	.03 x .10	0,8 x 2,5	.453 x .630	11,5 x 16,0	.032	0,8	1847	1846	ST 100L	-	consult Heyco
HPN	18/3	.11 x .38	2,7 x 9,7			.040	1,1					
SPT-2	18/2	.14 x .27	3,3 x 6,9			.063	1,6					
SPT-1	18/2	.12 x .22	3,0 x 5,6	.453 x .512	11,5 x 13,0	.032	0,8	1829	1830	ST 100N	1890	RP 115-130
	18/3	.12 x .30	3,0 x 7,6			.040	1,1					
SPT-2 & HPN	18/2	.15 x .28	3,8 x 7,1			.048	1,2					
	16/2	.16 x .30	4,1 x 7,6			.063	1,6					
HPN	16/3	.16 x .37	4,1 x 9,4			.099	2,5					
	18/3	.15 x .34	3,8 x 8,6									
SPT-2	16/3	.16 x .41	4,1 x 10,4	.689 x .689	17,5 x 17,5	.032	0,8	1834	1835	ST 200N	1892	RP 175-175
	18/2	.19 x .35	4,8 x 8,9			.063	1,6					
SPT-3	18/3	.19 x .39	4,8 x 9,9			.099	2,5					
	16/2	.20 x .37	5,1 x 9,4			.126	3,2					
	16/3	.20 x .43	5,1 x 10,9			.157	4,0					
	14/2	.24 x .42	6,1 x 10,7									

Standard color black. Consult Heyco for white and other colors.



- **Assembly friendly!** Independent of insertion into the panel, Lockit Strain Reliefs **self-lock** onto the cable. Preassemble off line for final assembly at a later time or remote location, for lower installed cost!
- Lockit Strain Reliefs hold so well they pass the UL pullout test requirements with or without panel support.
- Protect the lifeline of your electric/electronic products by absorbing the forces of push and pull that may be exerted on the flexible power cord. Rectangular design eliminates the possibility of part rotation under forces of twist.
- Lockit's three finger design securely anchors into panels as thin as .032" (0,8 mm) and as thick as .157" (4,0 mm) for a neat, clean appearance. Five locking steps accommodate a wide range of panel thickness. Low profile head satisfies design aesthetics!
- Heyco's automated Pre-Assembly Equipment speeds assembly of the Lockit onto the cable and thus lowers costs while greatly reducing risk of carpal tunnel syndrome. See pages 4-15 & 4-16.
- Consult Heyco for other wire types and sizes.
- See page 4-38 for corresponding **Mounting Hole Plugs** which can be used to fill blank/unused Mounting Holes and thus allow for a single panel design for multiple applications.
- **For Quick Specs see page 4-5.**

## X-ON Electronics

Largest Supplier of Electrical and Electronic Components

*Click to view similar products for [Cable Glands, Strain Reliefs & Cord Grips](#) category:*

*Click to view products by [Heyco](#) manufacturer:*

Other Similar products are found below :

[1218](#) [1300980012](#) [1300980105](#) [DBZM-6828](#) [1498](#) [915](#) [300623](#) [5632NM](#) [1124](#) [1151](#) [561-MP6P4WH](#) [5534M](#) [9000005073](#) [52104486](#)  
[5315817](#) [N16 025 0112 1](#) [N16 020 0112 1](#) [M6106](#) [7422](#) [NG-9516 Gasket](#) [N16 016 0112 1](#) [NG-9514 Gasket](#) [52006151](#) [2704](#) [1.097.2012.50](#)  
[1.152.1300.01](#) [1.152.2000.50](#) [1.152.2100.01](#) [1.152.4000.50](#) [1.209.1218.70](#) [1.209.2100.15](#) [1.209.6400.71](#) [1.609.1100.01](#) [1.609.2900.15](#)  
[1.609.3200.52](#) [1.609.5000.51](#) [1.609.6300.50](#) [1.676.2500.50](#) [53112705](#) [53112715](#) [53112735](#) [53119073](#) [54115405](#) [52004120](#) [52001894](#)  
[53018160](#) [APGPG36BA](#) [1300990004](#) [1.033.0913.01](#) [1.033.1116.01](#)