



Heyco® Nylon PCB Supports

Tension Barb Style

- Provide spacing between the printed circuit board and the panel or between circuit boards.
- Wide, ribbed wings produce a secure fit with extra stability.
- Multiple spacing heights from .187" (4,7 mm) to .750" (19,0 mm).
- Two Styles:
 - 1) Panel barb end, plus tension barb end for PCB.
 - 2) Panel barb end, plus locking barb end for PCB.

PANEL DIMENSIONS				PCB DIMENSIONS				PART NO.	DESCRIPTION	PART DIMENSIONS					
Maximum Thickness		Mounting Hole Diameter		Maximum Thickness		Mounting Hole Diameter				A Spacing		B Head Length		C* Foot Length	
in.	mm.	in.	mm.	in.	mm.	in.	mm.	Natural		in.	mm.	in.	mm.	in.	mm.
SS T Series															
								3640	SS T 3/16	.19	4,8				
								3641	SS T 1/4	.25	6,4				
								3642	SS T 3/8	.38	9,5				
								3643	SS T 7/16	.44	11,1	.40	10,2	.20	5,1
								3644	SS T 1/2	.50	12,7				
								3645	SS T 5/8	.63	15,9				
								3646	SS T 3/4	.75	19,0				

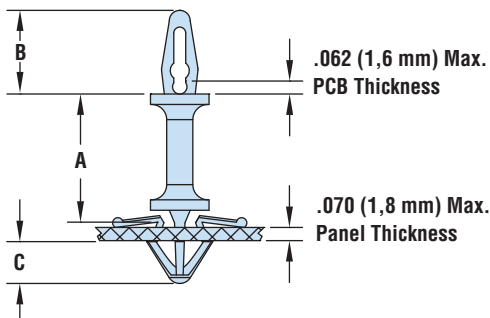
Standard color natural.
*Extension beyond .070" (1,8 mm) thick panel.

Locking Barb Style

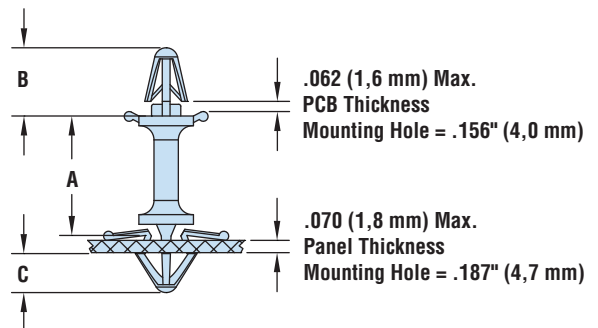


PANEL DIMENSIONS				PCB DIMENSIONS				PART NO.	DESCRIPTION	PART DIMENSIONS					
Maximum Thickness		Mounting Hole Diameter		Maximum Thickness		Mounting Hole Diameter				A Spacing		B Head Length		C* Foot Length	
in.	mm.	in.	mm.	in.	mm.	in.	mm.	Natural		in.	mm.	in.	mm.	in.	mm.
SS L Series															
								3670	SS L 3/16	.19	4,8				
								3671	SS L 1/4	.25	6,4				
								3672	SS L 3/8	.38	9,5				
								3673	SS L 7/16	.44	11,1	.35	8,9	.20	5,1
								3674	SS L 1/2	.50	12,7				
								3675	SS L 5/8	.63	15,9				
								3676	SS L 3/4	.75	19,0				

Standard color natural.
*Extension beyond .070" (1,8 mm) thick panel.



Tension Barb



Locking Barb

Quick Specs

Material	Nylon 6/6
Certifications	Recognized under the Component Program of Underwriters' Laboratories File E197049
Flammability Rating	94V-2
Temperature Range	32°F (0°C) to 185°F (85°C)

X-ON Electronics

Largest Supplier of Electrical and Electronic Components

Click to view similar products for [Cable Mounting & Accessories](#) category:

Click to view products by [Heyco](#) manufacturer:

Other Similar products are found below :

[582603-1](#) [009333-000](#) [727844N003](#) [747](#) [809090N001](#) [843188-000](#) [8666](#) [967279N002](#) [DB-11](#) [1300840039](#) [1300900096](#) [1301800416](#)
[1302264450](#) [1300830184](#) [1300830729](#) [1300900039](#) [1301580036](#) [1301850553](#) [1301860939](#) [1302000074](#) [1302261315](#) [1302264431](#)
[1337706-2](#) [APA18-AK](#) [1724](#) [1-787307-1](#) [185491N001](#) [1868](#) [HP-6N](#) [C-202-C](#) [202C221-13-0](#) [CA7308-000](#) [8S23-75FR-CS8184](#) [2684](#) [9648](#)
[3089](#) [988382-000](#) [A72821-000](#) [AA401](#) [173506-000](#) [202C292-13-0](#) [202C302-13-0](#) [2109](#) [300625](#) [3330](#) [3412](#) [M9142](#) [M9143](#) [529732-000](#)
[561-50D1187](#)