



Heyco® Nylon PCB Supports

Tension Barb Style

- Provide spacing between the printed circuit board and the panel or between circuit boards.
- Wide, ribbed wings produce a secure fit with extra stability.
- Multiple spacing heights from .187" (4,7 mm) to .750" (19,0 mm).
- Two Styles:
 - 1) Panel barb end, plus tension barb end for PCB.
 - 2) Panel barb end, plus locking barb end for PCB.

PANEL DIMENSIONS				PCB DIMENSIONS				PART NO.	DESCRIPTION	PART DIMENSIONS					
Maximum Thickness	Mounting Hole Diameter		Maximum Thickness	Mounting Hole Diameter		Natural	A Spacing			B Head Length		C* Foot Length			
in. mm.	in. mm.	mm.	in. mm.	in. mm.	mm.			in. mm.	in. mm.	in. mm.	in. mm.	in. mm.	in. mm.		
SS T Series															
								3640	SS T 3/16	.19	4,8				
								3641	SS T 1/4	.25	6,4				
								3642	SS T 3/8	.38	9,5				
								3643	SS T 7/16	.44	11,1	.40	10,2	.20	5,1
								3644	SS T 1/2	.50	12,7				
								3645	SS T 5/8	.63	15,9				
								3646	SS T 3/4	.75	19,0				

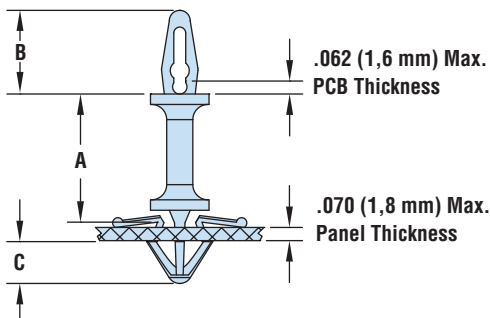
Standard color natural.
*Extension beyond .070" (1,8 mm) thick panel.

Locking Barb Style

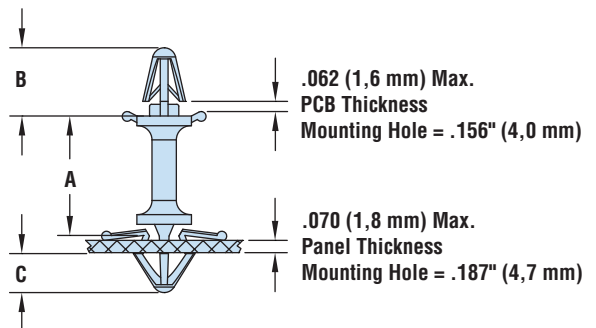


PANEL DIMENSIONS				PCB DIMENSIONS				PART NO.	DESCRIPTION	PART DIMENSIONS					
Maximum Thickness	Mounting Hole Diameter		Maximum Thickness	Mounting Hole Diameter		Natural	A Spacing			B Head Length		C* Foot Length			
in. mm.	in. mm.	mm.	in. mm.	in. mm.	mm.			in. mm.	in. mm.	in. mm.	in. mm.	in. mm.	in. mm.		
SS L Series															
								3670	SS L 3/16	.19	4,8				
								3671	SS L 1/4	.25	6,4				
								3672	SS L 3/8	.38	9,5				
								3673	SS L 7/16	.44	11,1	.35	8,9	.20	5,1
								3674	SS L 1/2	.50	12,7				
								3675	SS L 5/8	.63	15,9				
								3676	SS L 3/4	.75	19,0				

Standard color natural.
*Extension beyond .070" (1,8 mm) thick panel.



Tension Barb



Locking Barb

Quick Specs

Material	Nylon 6/6
Certifications	Recognized under the Component Program of Underwriters' Laboratories File E197049
Flammability Rating	94V-2
Temperature Range	32°F (0°C) to 185°F (85°C)

X-ON Electronics

Largest Supplier of Electrical and Electronic Components

Click to view similar products for [Circuit Board Hardware - PCB category](#):

Click to view products by [Heyco manufacturer](#):

Other Similar products are found below :

[8919-0-00-15-00-00-03-0](#) [0135-0-15-01-30-27-04-0](#) [5970-1-15-01-32-14-04-0](#) [0149-0-15-15-30-27-04-0](#) [MBI 1 BLUE](#) [7305-0-15-15-47-14-10-0](#) [MLN 150/1 BLACK](#) [8579-0-15-80-11-27-10-0](#) [8579-1-15-15-11-27-10-0](#) [8830-0-15-01-22-14-10-0](#) [8836-0-00-21-00-00-03-0](#) [PRUEF 2 RED](#) [9976-0-00-00-00-00-03-0](#) [PW1616](#) [1215-3-05-00-00-00-01-0](#) [1231](#) [1303-0-15-15-47-14-04-0](#) [1404-3](#) [1404-4](#) [1406-4](#) [1407-3](#) [1406-3](#) [1407-4](#) [1408-3](#) [1424-4](#) [1427-3](#) [1419-4](#) [1426-4](#) [1548-103](#) [1938-0-00-00-00-00-03-0](#) [1942-0-00-00-00-00-03-0](#) [2101-3-00-44-00-00-07-0](#) [2108-2-00-50-00-00-07-0](#) [2109-2-00-44-00-00-07-0](#) [2110-2-00-44-00-00-07-0](#) [2111-2-00-00-00-00-07-0](#) [2113-4-00-44-00-00-07-0](#) [2301-3-00-44-00-00-07-0](#) [2308-1-00-50-00-00-07-0](#) [2313-2-00-00-00-00-07-0](#) [2315-2-01-44-00-00-07-0](#) [2333-1-00-50-00-00-07-0](#) [9000-0-00-00-00-00-03-0](#) [2506-2-00-50-00-00-07-0](#) [2507-2-01-44-00-00-07-0](#) [2508-2-00-44-00-00-07-0](#) [2561-2-00-44-00-00-07-0](#) [9220](#) [9234-0-15-15-30-14-10-0](#) [LAS S G BLACK](#)