



- Convert trade size knock-out holes to diameters suitable for strain relief bushings.
- Allow for standardization of panel design since various strain relief bushing sizes can be adapted to one panel hole size.
- Allow for the mounting of strain relief bushings into unusually thick panel.
- Adapters mount into 1/2" knock-outs (7/8" or 22,2 mm nominal diameter).
- Made of zinc-plated steel.
- For Heyco Knock-Out Seals, see page 6-35.
- DFARS Compliant

Heyco® Knock-Out Adapters for Strain Relief Bushings

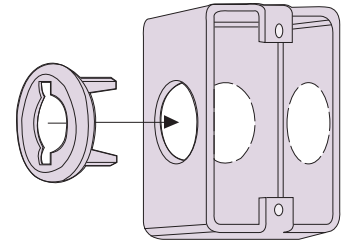
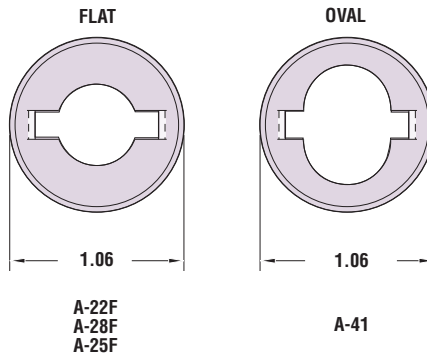
Will Adapt These Strain Reliefs to Fit an .875 (22,2mm.) Diameter Hole.	PART NO.	DESCRIPTION	LUG LENGTH	
			in.	mm.
4K-1, 4K-4, 4K-6, 4L-1 4L-4, 5L-1, 5P3-4, 5P-4, 5P-7, 5S-1, 6W-1, 14-1, 15-1, 5M-3	7562	A-22F	.500	12,7
6K-5, 6L-1, 6P2-5, 6P3-4 6P3-5, 6P3-7, 6P-4, 6P-5 6P-7, 10-2, 11-2, 11K-2	7567	A-25F	.500	12,7
5K-4, 5W-1, 16-1	7570	A-28F	.500	12,7
20-1, 20L-1, 30-1	7572	A-41	.500	12,7



A-10

A-10 Adapter Pliers (Part #0024)

For quick and easy locking of adapters.



X-ON Electronics

Largest Supplier of Electrical and Electronic Components

Click to view similar products for [Cable Mounting & Accessories](#) category:

Click to view products by [Heyco](#) manufacturer:

Other Similar products are found below :

[HP-4N](#) [582603-1](#) [009333-000](#) [727844N003](#) [809090N001](#) [8109](#) [843188-000](#) [843459N001](#) [843460N003](#) [8666](#) [967279N002](#) [GPQC1/0](#) [DB-](#)
[11](#) [1300830208](#) [1300840039](#) [1300900026](#) [1300990052](#) [1301740005](#) [1301800121](#) [1301800416](#) [1300830184](#) [1300990149](#) [1301580036](#)
[1301720103](#) [1301720135](#) [1301720152](#) [1301720157](#) [1301740009](#) [1301770011](#) [1301850553](#) [1301860939](#) [1302000074](#) [1302264431](#)
[1337706-2](#) [APA18-AK](#) [MTX6UTPSRC-C](#) [1-787307-1](#) [185491N001](#) [HP-6N](#) [C-202-C](#) [202C221-13-0](#) [OMTM-S10-C0](#) [205339-4](#) [CA7308-](#)
[000](#) [8S23-75FR-CS8184](#) [2684](#) [9648](#) [3089](#) [988382-000](#) [A0270164](#)