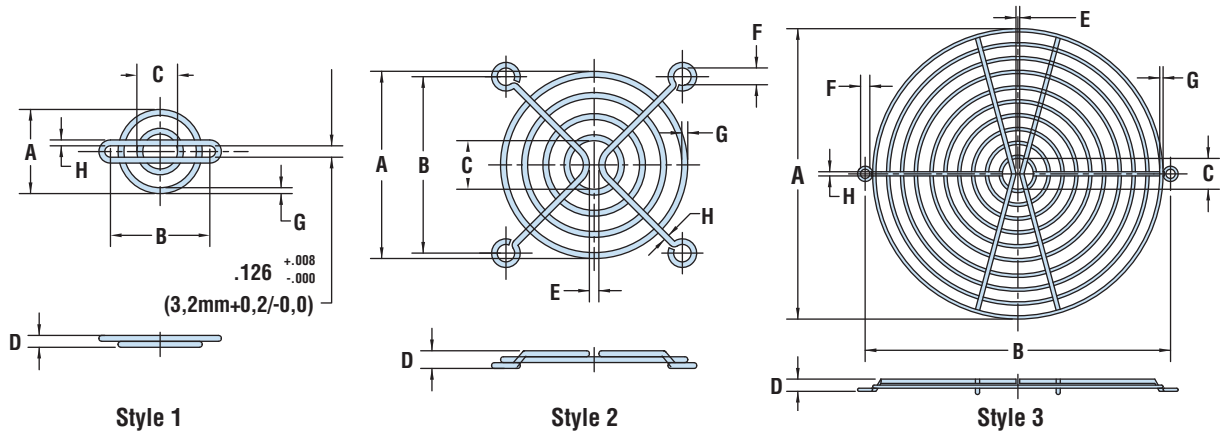




- Good corrosion resistance, easy to clean.
- Screw mount.
- Material: Steel wire Electroplated; Nickel Chrome finish.

## Heyco® Fan Guards

| NO. Rings | PART NO. | DESCRIPTION | PART DIMENSIONS |       |      |       |     |      |     |     |     |     | STYLE |     |     |     |     |     |   |
|-----------|----------|-------------|-----------------|-------|------|-------|-----|------|-----|-----|-----|-----|-------|-----|-----|-----|-----|-----|---|
|           |          |             | A               |       | B    |       | C   |      | D   |     | E   |     |       | F   |     | G   |     | H   |   |
|           |          |             | in.             | mm.   | in.  | mm.   | in. | mm.  | in. | mm. | in. | mm. | in.   | mm. | in. | mm. | in. | mm. |   |
| 2         | 0975     | FG 25       | .94             | 2,4   | 1.11 | 28,2  | .41 | 10,5 | .09 | 2,2 | -   | -   | -     | -   | .06 | 1,4 | .06 | 1,4 | 1 |
|           | 0976     | FG 40       | 1.15            | 29,1  | 1.26 | 32,0  | .56 | 14,2 | .19 | 4,8 | .16 | 4,0 | .16   | 4,0 |     |     |     |     |   |
| 3         | 0977     | FG 50       | 1.65            | 42,0  | 1.62 | 41,1  | .56 | 14,2 | .19 | 4,8 | .15 | 3,7 | .18   | 4,6 | .06 | 1,6 | .06 | 1,6 | 2 |
| 4         | 0978     | FG 60       | 2.09            | 53,2  | 1.97 | 50,0  | .56 | 14,2 | .17 | 4,4 | .12 | 3,0 |       |     |     |     |     |     |   |
| 5         | 0979     | FG 80       | 3.00            | 76,2  | 2.81 | 71,5  | .56 | 14,2 | .19 | 4,9 | .14 | 3,5 | .20   | 5,2 | .07 | 1,8 |     |     |   |
| 6         | 0980     | FG 92       | 3.54            | 90,0  | 3.25 | 82,5  | .56 | 14,2 | .22 | 5,5 | .17 | 4,2 | .18   | 4,6 | .06 | 1,6 | .07 | 1,8 |   |
| 8         | 0981     | FG 120      | 4.55            | 115,6 | 4.16 | 104,8 | .35 | 9,0  | .22 | 5,5 | .10 | 2,6 | .18   | 4,6 | .07 | 1,8 |     |     | 3 |
| 10        | 0982     | FG 150      | 6.08            | 154,4 | 6.38 | 162,1 | .64 | 16,3 | .25 | 6,5 | .32 | 8,1 | .19   | 4,8 | .07 | 1,8 | .09 | 2,3 |   |

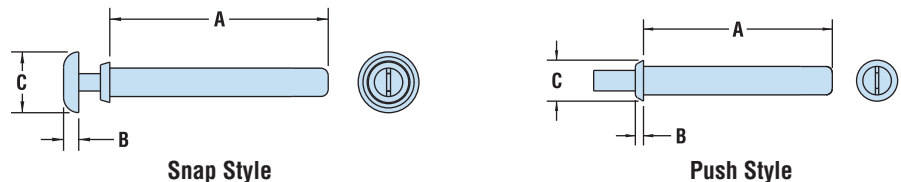


## Heyco® Fan Guard Rivets

- Permanently mount fan to chassis or finger guards to fan.
- Provide tamper resistant application.
- Prongs expand to hold securely as pin is driven.
- Single-operation front mounting saves time and money.
- Low profile head.
- Installed by hand or with installation tool.
- Part Description Key: PR/DR XXX-YYY where XXX = Mounting Hole Diameter (inches) and YYY = minimum Panel Thickness (inches).

| WILL FIT THESE PANELS |                 |     |      |      | PART NO. Black | DESCRIPTION | PART DIMENSIONS |               |      |                 |     |     | EXTRACTION FORCE |      |   |
|-----------------------|-----------------|-----|------|------|----------------|-------------|-----------------|---------------|------|-----------------|-----|-----|------------------|------|---|
| MOUNTING HOLE DIA.    | PANEL THICKNESS |     | Min. | Max. |                |             | A Length        | B Head Height |      | C Head Diameter |     | Lbs | Kg               |      |   |
|                       | in.             | mm. |      |      | in.            | mm.         |                 | in.           | mm.  | in.             | mm. |     |                  |      |   |
| <b>Snap Style</b>     |                 |     |      |      |                |             |                 |               |      |                 |     |     |                  |      |   |
| .124                  | 3,1             | .81 | 20,5 | .85  | 21,5           | 9326        | PR 124-807      | .91           | 23,0 | .06             | 1,6 | .25 | 6,4              | 17,6 | 8 |
| <b>Push Style</b>     |                 |     |      |      |                |             |                 |               |      |                 |     |     |                  |      |   |
| .137                  | 3,5             | .81 | 20,5 | .85  | 21,5           | 9327        | DR 137-807      | .91           | 23,0 | *               | *   | .20 | 5,0              | 17,6 | 8 |

UL94V-2 Nylon 6 - both Rivets  
\*Contact Heyco.



|                     | Rivets                       |
|---------------------|------------------------------|
| Material            | Nylon 6/6                    |
| Flammability Rating | 94V-2                        |
| Temperature Range   | -4°F (-18°C) to 185°F (85°C) |

Quick Specs

## X-ON Electronics

Largest Supplier of Electrical and Electronic Components

*Click to view similar products for [Screws & Fasteners](#) category:*

*Click to view products by [Heyco](#) manufacturer:*

Other Similar products are found below :

[5721-1440-1/4-SS](#) [593503FX](#) [0098.0094](#) [0098.9206](#) [0098.9219](#) [0098.9262](#) [596-2114-013](#) [59781-6](#) [0098.0026](#) [0098.9210](#) [0098.9212](#) [60227-01](#) [60227-04](#) [60227-08](#) [60687-01](#) [LOCK WASHER Black](#) [62153-03](#) [62153-11](#) [M316-KSSTMCZ100](#) [M3440-SS](#) [M3442-SS](#) [M3448-SS](#) [6292-1](#) [6-306105-9](#) [6-306131-4](#) [690432-1](#) [699161-000](#) [7230-3](#) [7244](#) [7248-1](#) [7248-2](#) [745564-1](#) [F1209](#) [751-00001](#) [7680](#) [809704-1](#) [8700](#) [8860220](#) [9047](#) [9521](#) [992326-6](#) [992763-3](#) [1-18024-0](#) [1-18028-2](#) [A168P1](#) [A495P1](#) [1-24921-1](#) [125416-1](#) [1260](#) [13-0036](#) [1301810148](#)