

“Stay Connected” with



Bushings, Grommets, HEYcaps & Plugs

a PennEngineering® Company



Heyco® Push-In Threaded Plugs - For SAE and NPT Threaded Ports

THREAD TYPE/SIZE		PART NO.	PART NO.	DESCRIPTION	PART DIMENSIONS					
SAE in.	NPT in.	Black No Tab	Black With Tab		A Head Diameter		B Overall Height		C Bottom Dia.	
					in.	mm.	in.	mm.	in.	mm.
1/4	-	9680	-	TP PI-250	.40	10,2	.25	6,4	.21	5,3
5/16	-	9681	-	TP PI-312	.52	13,2	.24	6,1	.25	6,4
3/8	1/8	9682	9682T	TP PI-375	.59	15,0	.24	6,1	.32	8,1
7/16	-	9683	9683T	TP PI-437	.64	16,3	.27	6,9	.37	9,4
1/2	1/4	9684	9684T	TP PI-500	.72	18,3	.27	6,9	.44	11,2
9/16	-	9685	-	TP PI-562	.81	20,6	.29	7,4	.50	12,7
5/8	3/8	9686	9686T	TP PI-625	.96	24,4	.29	7,4	.56	14,2
3/4	-	9687	9687T	TP PI-750	.95	24,1	.29	7,4	.68	17,3
7/8	-	9688	9688T	TP PI-875	1.15	29,2	.29	7,4	.80	20,3

Standard color black.

- Offer the convenience of a push-in plug with the plugging quality of a threaded plug.
- Available with or without convenient Pull Tab for easy removal.



Heyco® TEMPlugs™ - For NPT Threaded Ports

Temporary Threaded Plugs for In-House Pressure Testing, Handling, and Transport

NPT THREADED PORT SIZE	PART NO. Black	DESCRIPTION	PART DIMENSIONS							
			A Wrenching Flats		B Threaded Section		C Head Height		D Flange Diameter	
			in.	mm.	in.	mm.	in.	mm.	in.	mm.

Square Head - with Flange

1/8	G5440	PTNS 1/8-F	.43	10,9	.29	7,4	.19	4,8	.56	14,2
1/4	G5441	PTNS 1/4-F	.44	11,2	.35	9,0	.25	6,4	.69	17,5
3/8	G5442	PTNS 3/8-F	.44	11,2	.41	10,4	.25	6,4	.81	20,6
1/2	G5443	PTNS 1/2-F	.56	14,2	.47	11,9	.25	6,4	1.00	25,4
3/4	G5444	PTNS 3/4-F	.63	16,0	.52	13,2	.25	6,4	1.25	31,8

Square Head - no Flange

3/4	G5449	PTNS 3/4	.62	15,7	.52	13,2	.25	6,4	n/a	n/a
1	G5450	PTNS 1	.81	20,6	.59	15,0	.25	6,4	n/a	n/a
1-1/4	G5451	PTNS 1-1/4	1.00	25,4	.83	21,1	.38	9,7	n/a	n/a
1-1/2	G5452	PTNS 1-1/2	1.25	31,8						

Hex Head

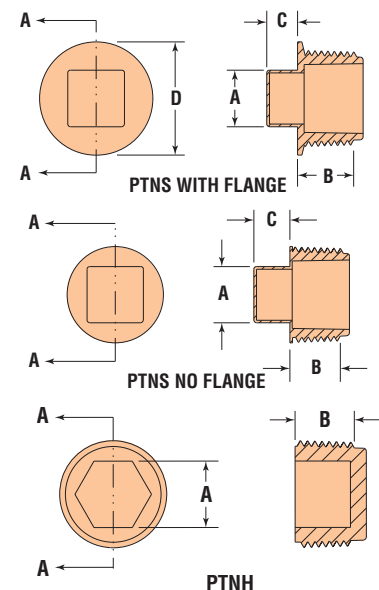
1/4	G5455	PTNH 1/4	.25	6,4	.31	7,9				
3/8	G5456	PTNH 3/8	.31	7,9	.38	9,7				
1/2	G5457	PTNH 1/2	.38	9,7						
3/4	G5458	PTNH 3/4	.56	14,2	.50	12,7				
1	G5459	PTNH 1	.63	16,0	.53	13,5				

Standard color black.

Material	EVA Ethylene Vinyl Acetate (part nos. 9680 & 9681) LDPE Low Density Polyethylene (part nos. 9682 thru 9688T) HDPE High-Density Polyethylene (TEMPlugs)
Temperature Range	EVA -98°F (-68°C) to 140°F (60°C) LDPE -94°F (-70°C) to 150°F (66°C) HDPE 0°F (-18°C) to 165°F (74°C)



- Not intended for permanent applications; commonly used for low-pressure testing and in-plant processing.
- Keep contaminants and moisture from threaded ports.
- Oil and heat resistant up to 250°F.
- Applicable Spec: MIL-C-5501/5, NAS 840.



X-ON Electronics

Largest Supplier of Electrical and Electronic Components

Click to view similar products for [Conduit Fittings & Accessories](#) category:

Click to view products by [Heyco](#) manufacturer:

Other Similar products are found below :

[M3231GAB](#) [M3231GAC](#) [M3231GAE](#) [M3231GL](#) [M3231GN](#) [M3231GT](#) [VC-937-16/RED](#) [VC-562-16/RED](#) [VC-1125-16/RED](#) [DM0240-1/2A](#) [3408B](#) [G6002](#) [M4340GAE](#) [C2016-P](#) [C2012-P](#) [3407B](#) [1660-P](#) [561-87BG11BLK](#) [561-75BG11B](#) [BVNV-P428](#) [BVBV-P366](#) [2276](#) [2663-P](#) [3405B](#) [C2070-P](#) [3582V](#) [4975](#) [2644-P](#) [2955](#) [M50](#) [2404-P](#) [2291](#) [2133-P](#) [3048F](#) [VC12516](#) [RC156-0500](#) [DM0523-1/2A](#) [1035A](#) [DMS0250-1A](#) [DMS0313-1A](#) [1040A](#) [1050A](#) [R1/8A](#) [DMPC0490-1/2A](#) [DMPC0521-1/2A](#) [DMPC0552-1/2A](#) [1070A](#) [R1/2A](#) [E1-7/8B](#) [061A](#) [R3/4A](#)