

“Stay Connected” with



Liquid Tight Cordgrips

a PennEngineering® Company

**NO O-RING  
REQUIRED!**

## Heyco®-Tite Liquid Tight Cordgrips

### Split Gland for Pre-assembled Cables with Integral Sealing Ring

The Ultimate in Liquid Tight Strain Relief Protection

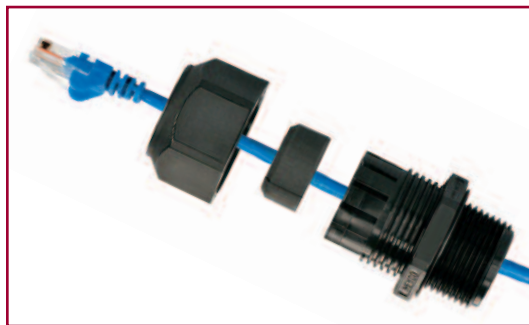
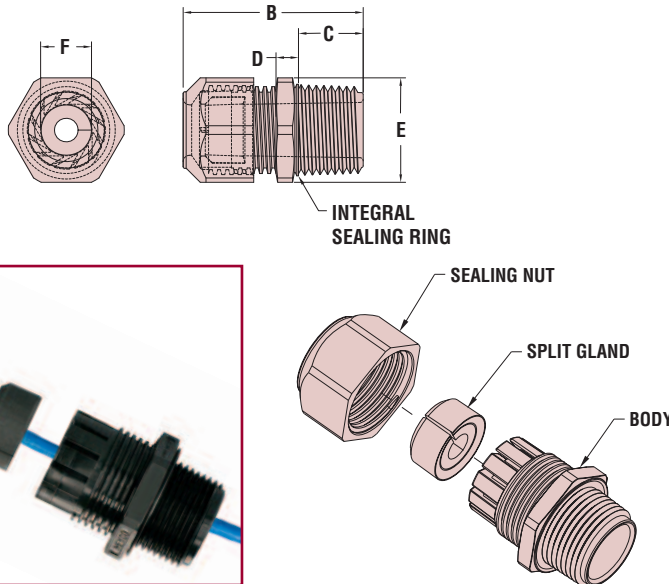


CABLE DIAMETER RANGE				PART NUMBER		DESCRIPTION	UL or RU	PART DIMENSIONS																
Minimum		Maximum		Black	Gray			A	B		C		D		E		F							
in.	mm.	in.	mm.			Clearance Hole Dia.	in.	mm.	Max. O.A. Length	in.	mm.	Thread Length	in.	mm.	Wrenching Nut Thickness	in.	mm.	Flat Size	in.	mm.	Sealing Nut Inside Dia.	in.	mm.	
<b>NPT Hubs</b>																								
.210	5,3	.334	8,5	M3200GBH	M3201GBH	LTCG LL 1/2 NPT 8.5 MM Split	cRUUS	.875	22,2	1.68	42,7	.44	11,2	.25	6,4	1.06	27,0	.56	14,2					
.210	5,3	.334	8,5	M3234GBH	M3235GBH	LTCG 3/4 NPT 8.5 MM Split																		
.138	3,5	.610	15,5	M3234GBJ	M3235GBJ	LTCG 3/4 NPT Split Oval*	cRUUS	1.040	26,4	2.00	50,8	.62	15,7	.25	6,4	1.30	33,0	.72	18,3					
<b>NEW</b>	.315	8,0	.315	8,0	M3234GDB	-																		
.250	6,4	.334	8,5	M8437GBH	M8438GBH	LTCG 1 NPT 8.5 MM Split	cRUUS	1.326	33,7	2.41	61,2	.76	19,3	.30	7,6	1.73	43,9	1.01	25,7					
					M4524GBH	M4525GBH	LTCG 1-1/4 NPT 8.5 MM Split	cRUUS	1.680	42,7	2.69	68,3	.78	19,8	.30	7,6	2.05	52,1	1.27	32,3				
<b>PG Hubs</b>																								
.210	5,3	.334	8,5	M3219GBH	M3220GBH	LTCG 16 8.5MM Split	cRUUS	.886	22,5	1.68	42,7	.44	11,2	.25	6,4	1.06	27,0	.56	14,2					
					M3222GBH	M3223GBH	LTCG 21 8.5MM Split	cRUUS	1.115	28,3	1.89	48,0	.52	13,2	.25	6,4	1.30	33,0	.72	18,3				
.250	6,4	.334	8,5	M3225GBH	M3226GBH	LTCG 29 8.5MM Split	cRUUS	1.470	37,3	2.23	56,6	.57	14,5	.30	7,6	1.73	43,9	1.01	25,7					
					M3204GBH	M3203GBH	LTCG 36 8.5MM Split	cRUUS	1.875	47,6	2.39	60,7	.47	11,9	.31	7,9	2.05	52,7	1.27	32,3				
<b>Metric Hubs</b>																								
.210	5,3	.334	8,5	M3198GBH	M3199GBH	LTCG LL M20 8.5MM Split	cRUUS	.787	20,0	1.65	41,9	.41	10,4	.25	6,4	1.06	26,9	.56	14,2					
					M4344GBH	M4345GBH	LTCG M25 8.5MM Split	cRUUS	.985	25,0	1.89	48,0	.52	13,2	.25	6,4	1.30	33,0	.72	18,3				
.250	6,4	.334	8,5	M4348GBH	M4349GBH	LTCG M32 8.5MM Split	cRUUS	1.260	32,0	2.23	56,6	.58	14,7	.30	7,6	1.73	43,9	1.01	25,7					
					M4352GBH	M4353GBH	LTCG M40 8.5MM Split	cRUUS	1.575	40,0	2.39	60,7	.47	11,9	.31	7,9	2.05	52,7	1.27	32,3				

Standard color black.

\*Oval shaped gland opening; not UL Recognized.

\*\*Includes assembled nylon locknut



- Split Glands are designed for application to the cable **after the cable has passed through the LTCG**; e.g., RJ45 cable with Cat5e termination.
- Simply pass the cable termination through the LTCG body, apply Split Gland to the cable, and insert the gland/cable assembly into the LTCG fingers. Then tighten the Sealing Nut to achieve a **liquid tight seal**.
- Approved for **NEMA 4, 4X, 6 and 6P** applications.
- For other cable/termination configuration sizes, and Pg and Metric hub threads, please consult Heyco.
- Integral Sealing Ring ensures a superior seal at the clearance or threaded mounting hole location, every time.
- PG and Metric cordgrips come with an unassembled locknut.

Material  
Certifications

Nylon 6/6 w/TPE Sealing Gland



Recognized under the Component Program of Underwriters' Laboratories File E51579 to both Canadian and U.S. Requirements  
Approved for NEMA 4, 4X, 6 and 6P Applications

Flammability Rating  
Temperature Range

94V-2—Consult factory for V0 material  
Static -40°F (-40°C) to 239°F (115°C)  
Dynamic -4°F (-20°C) to 212°F (100°C)

IP Rating

IP 68 (70 PSI, 5 BAR)

*Quick  
Specs*

## X-ON Electronics

Largest Supplier of Electrical and Electronic Components

*Click to view similar products for [Conduit Fittings & Accessories](#) category:*

*Click to view products by [Heyco](#) manufacturer:*

Other Similar products are found below :

[M3231GAB](#) [M3231GAC](#) [M3231GAE](#) [M3231GL](#) [M3231GN](#) [M3231GT](#) [VC-937-16/RED](#) [VC-562-16/RED](#) [VC-1125-16/RED](#) [DM0240-1/2A](#) [3408B](#) [G6002](#) [M4340GAE](#) [C2016-P](#) [C2012-P](#) [3407B](#) [1660-P](#) [561-87BG11BLK](#) [561-75BG11B](#) [BVNV-P428](#) [BVBV-P366](#) [2276](#) [2663-P](#) [3405B](#) [C2070-P](#) [3582V](#) [4975](#) [2644-P](#) [2955](#) [M50](#) [2404-P](#) [2291](#) [2133-P](#) [3048F](#) [VC12516](#) [RC156-0500](#) [DM0523-1/2A](#) [1035A](#) [DMS0250-1A](#) [DMS0313-1A](#) [1040A](#) [1050A](#) [R1/8A](#) [DMPC0490-1/2A](#) [DMPC0521-1/2A](#) [DMPC0552-1/2A](#) [1070A](#) [R1/2A](#) [E1-7/8B](#) [061A](#) [R3/4A](#)