

“Stay Connected” with



Liquid Tight Cordgrips

a PennEngineering® Company

**NO O-RING
REQUIRED!**



Heyco®-Tite Liquid Tight Cordgrips

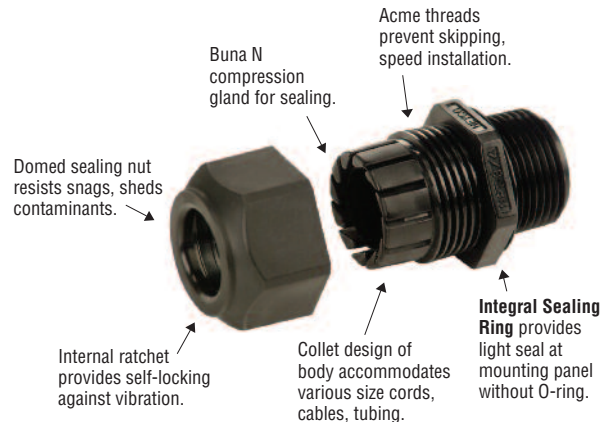
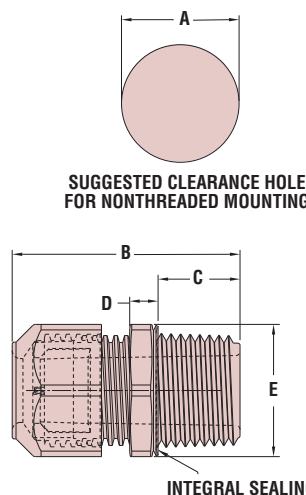
Straight-Thru, NPT Hubs with Integral Sealing Ring

The Ultimate in Liquid Tight Strain Relief Protection

- Integral Sealing Ring ensures a superior seal at the clearance or threaded mounting hole location, every time.
- Widest range of approved cable diameters. Cable ranges listed are for the maximum IP68 sealing range. Contact Heyco for UL approved 514B cable ranges.
- IP 68 rated.
- Approved for **NEMA 4, 4X, 6 and 6P** applications.
- Ratchet design of sealing nut assembly provides superior anti-vibration protection and ensures a firm grip on the cable.
- Acme threads on body prevent skipping and speed installation.
- All nylon construction with Buna N or TPE sealing gland resists salt water, weak acids, gasoline, alcohol, oil, grease, and common solvents. (This feature is not assessed by UL.)
- Multiple sizes for flexible cord diameters ranging from .065" (1,7 mm) to 1.730" (44,0 mm).
- We recommend using the fitting with the smallest maximum diameter that will fit your application.
- **Locknuts not included.** For nylon locknut specifications or to order locknuts separately, see page 3-47.
- For Heyco Liquid Tight Threaded Plugs, see page 3-51.
- Consult Heyco for cordgrips molded in other colors.

CABLE DIA. RANGE				PART NO.		DESCRIPTION	UL or CSA	PART DIMENSIONS										
Minimum		Maximum		Black	Gray			A	B	C	D		E					
in.	mm.	in.	mm.			Clearance Hole Dia.	Max. O.A. Length	Thread Length	Wrenching Nut Thk.		Flat Size							
						in.	mm.	in.	mm.	in.	mm.	in.	mm.					
.065	1,7	.210	5,3	M4514	M4515	RLTCG 1/4	UL	.540	13,7	1.29	32,8	.45	11,4	.21	5,3	.63	16,0	
.115	2,9	.250	6,4	M4516	M4517	LTCG 1/4												
.065	1,7	.230	5,8	M3458	M3459	RLTCG 3/8	UL	.680	17,3	1.41	35,8	.49	12,4	.21	5,3	.82	20,8	
.105	2,7	.315	8,0	M3228	M3229	LTCG 3/8												
.095	2,4	.290	7,4	M4518	M4519	RLTCG 1/2	UL	.875	22,2	1.70	43,2	.61	15,5	.21	5,3	.98	24,9	
.170	4,3	.450	11,4	M3231	M3232	LTCG 1/2												
.180	4,6	.400	10,2	M4520	M4521	RLTCG LL 1/2	UL	.875	22,2	1.68	42,7	.44	11,2	.25	6,4	1.06	26,9	
.260	6,6	.545	13,8	M3200	M3201	LTCG LL 1/2												
.250	6,4	.490	12,4	M3460	M3461	RLTCG 3/4	UL	1.109	28,2	2.00	50,8	.62	15,7	.25	6,4	1.30	33,0	
.420	10,7	.630	16,0	M3234GA	M3235GA	LTCG 3/4												
.435	11,0	.705	17,9	M3234	M3235													
.490	12,4	.785	19,9	M8439	M8440	RLTCG 1	UL	1.326	33,7	2.41	61,2	.76	19,3	.30	7,6	1.73	43,9	
.590	15,0	1.000	25,4	M8437	M8438	LTCG 1												
.787	20,0	1.020	25,9	M4522	M4523	RLTCG 1-1/4	UL	1.680	42,7	2.69	68,3	.78	19,8	.30	7,6	2.05	52,1	
.875	22,2	1.260	32,0	M4524	M4525	LTCG 1-1/4												
1.000	25,4	1.240	31,5	M3319	M3320	RLTCG 1-1/2	UL	1.920	48,8	2.81	71,3	.77	19,6	.36	9,1	2.46	62,5	
1.230	31,2	1.560	39,6	M3317	M3318	LTCG 1-1/2												
1.160	29,5	1.350	34,3	M3323	M3324	RLTCG 2	UL	2.400	60,8	2.93	74,3	.79	20,1	.42	10,7	2.73	69,3	
1.450	36,8	1.730	43,9	M3321	M3322	LTCG 2												

Standard colors black and gray.



Material	Nylon 6/6 w/Buna N or TPE Sealing Gland
Certifications	<ul style="list-style-type: none"> UL Listed under Underwriters' Laboratories File E51579 UL Recognized under the Component Program of Underwriters' Laboratories File E51579 CSA Certified By Canadian Standard Association File 93876C
Flammability Rating	94V-2-Consult factory for V0 material
Temperature Range	Static -40°F (-40°C) to 239°F (115°C) Dynamic -4°F (-20°C) to 212°F (100°C)
IP Rating	IP 68 (70 PSI, 5 BAR)

Quick Specs

X-ON Electronics

Largest Supplier of Electrical and Electronic Components

Click to view similar products for [Cable Glands, Strain Reliefs & Cord Grips](#) category:

Click to view products by [Heyco](#) manufacturer:

Other Similar products are found below :

[1300980012](#) [1300980105](#) [DBZM-6828](#) [1498](#) [15190-103 R2](#) [300623](#) [07402002](#) [VC-M-KV-PG16 1X3/1X8](#) [5525](#) [35935](#) [35882](#) [M4340GAE](#)
[4597](#) [NG-9516 Gasket](#) [52006157](#) [52006176](#) [BM4963L](#) [53629556](#) [53629570](#) [53629675](#) [52025230](#) [52024853](#) [52103160](#) [52115810](#)
[53017640](#) [53019051](#) [53112270](#) [53112330](#) [53112860](#) [53112879](#) [53112929](#) [53111470](#) [53015270](#) [53015090](#) [53018090](#) [PG-29](#) [36680](#) [36681](#)
[36550](#) [35226](#) [35228](#) [36382](#) [36310](#) [35231](#) [36818](#) [36302](#) [36827](#) [37102-90](#) [35203](#) [35098](#)