

“Stay Connected” with



Liquid Tight Cordgrips

a PennEngineering® Company

Heyco®-Tite Nylon Liquid Tight Romex® and Other Oval Hole Connectors

Straight-Thru, NPT Hubs with Integral Sealing Ring

For Romex® NM-B and UF-B Cables. For use in clearance or threaded holes, electrical conduit couplings and adapters.

The Ultimate in Liquid Tight Strain Relief Protection

**NO O-RING
REQUIRED!**



WILL FIT THESE CABLES				PART NO.	DESCRIPTION	UL	PART DIMENSIONS									
Romex® Type	AWG/ Conds.	Approximate Size					Black	A Clearance Hole Dia.	B Max. O.A. Length		C Thread Length		D Wrenching Nut Thickness		E Flat Size	
		in.	mm.		in.	mm.	in.	mm.	in.	mm.	in.	mm.	in.	mm.		

Romex® Connectors – assembled steel locknuts included

NM-B	14/2	.19 x	4,9 x	M3231GZA*	LTCG 1/2	UL	.875	22,2	1.70	43,2	.61	15,5	.21	5,3	.98	24,9
		.39	9,9	M3234GZA	LTCG 3/4	-	1.109	28,2	2.00	50,8	.62	15,7	.25	6,4	1.30	33,0
NM-B	12/2	.21 x	5,3 x	M3231GZB*	LTCG 1/2	UL	.875	22,2	1.70	43,2	.61	15,5	.21	5,3	.98	24,9
		.42	10,7	M3234GZB	LTCG 3/4	UL	1.109	28,2	2.00	50,8	.62	15,7	.25	6,4	1.30	33,0
UF-B	14/2	.18 x	4,5 x	M3234GZE	LTCG 3/4	-										
	12/2	.19 x	4,8 x	M3234GZF	LTCG 3/4	UL	1.109	28,2	2.00	50,8	.62	15,7	.25	6,4	1.30	33,0
		.42	10,7													
14/3	.19 x	4,8 x	M3234GZG*													
		.63	16,1													

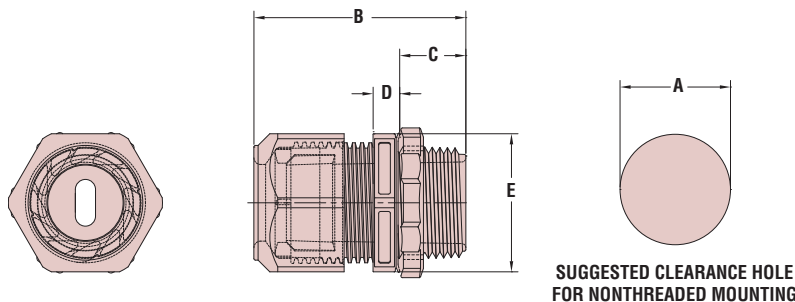
Other Oval Hole LTCGs – locknuts not included

n/a	n/a	.45 x	11,4 x	M3234GZK	LTCG 3/4	-	1.109	28,2	2.00	50,8	.62	15,7	.25	6,4	1.30	33,0
		.21	5,3													
		.31 x	7,9 x	M3234GZM	LTCG 3/4	-	1.109	28,2	2.00	50,8	.62	15,7	.25	6,4	1.30	33,0
.19	4,8															
.69 x	17,5 x	M8437GZH	LTCG 1	-	1.326	33,7	2.41	61,2	.76	19,3	.30	7,6	1.73	43,9		
.19	4,8															

Standard color black.

* Certified by Canadian Standard Association for NMD-90 wire-File 93876.

- Multiple gland sizes for 12/2 through 14/3 Romex® NM-B and UF-B cable. Consult Heyco for additional cable sizes.
- Hub sizes for 1/2 NPT and 3/4 NPT electrical knock-outs or threaded couplings. Consult Heyco for PG and Metric threaded hubs.
- Ratchet design of sealing nut assembly provides superior anti-vibration protection and ensures a firm grip on this cable.
- Integral Sealing Ring ensures a superior seal at mounting locations every time.
- All nylon construction with TPE sealing gland resists salt water, weak acids, gasoline, alcohol, oil, grease, and common solvents. (This feature is not assessed by UL.)
- **Assembled Metal Locknuts INCLUDED.**



Material	Nylon 6/6 with TPE Sealing Gland
Certifications	UL Listed under Underwriters' Laboratories File E103540
Flammability Rating	94V-2
Temperature Range	Static -40°F (-40°C) to 239°F (115°C) Dynamic -4°F (-20°C) to 212°F (100°C)
IP Rating	IP 68

*Quick
Specs*

X-ON Electronics

Largest Supplier of Electrical and Electronic Components

Click to view similar products for [Cable Glands, Strain Reliefs & Cord Grips](#) category:

Click to view products by [Heyco](#) manufacturer:

Other Similar products are found below :

[1300980012](#) [1300980105](#) [DBZM-6828](#) [1498](#) [15190-103 R2](#) [300623](#) [07402002](#) [VC-M-KV-PG16 1X3/1X8](#) [5525](#) [35935](#) [35882](#) [M4340GAE](#)
[4597](#) [NG-9516 Gasket](#) [52006157](#) [52006176](#) [BM4963L](#) [53629556](#) [53629570](#) [53629675](#) [52025230](#) [52024853](#) [52103160](#) [52115810](#)
[53017640](#) [53019051](#) [53112270](#) [53112330](#) [53112860](#) [53112879](#) [53112929](#) [53111470](#) [53015270](#) [53015090](#) [53018090](#) [PG-29](#) [36680](#) [36681](#)
[36550](#) [35226](#) [35228](#) [36382](#) [36310](#) [35231](#) [36818](#) [36302](#) [36827](#) [37102-90](#) [35203](#) [35098](#)