

“Stay Connected” with



Liquid Tight Cordgrips

a PennEngineering® Company

Heyco® -Tite Snap-In-2® Liquid Tight Cordgrips

Pigtail™, Snap-In Hubs

For Panels from .062" (1,6 mm) to .125" (3,2 mm) Thick

The Ultimate in Liquid Tight Strain Relief Protection

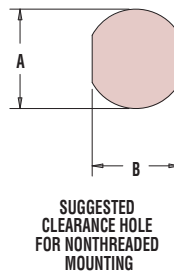
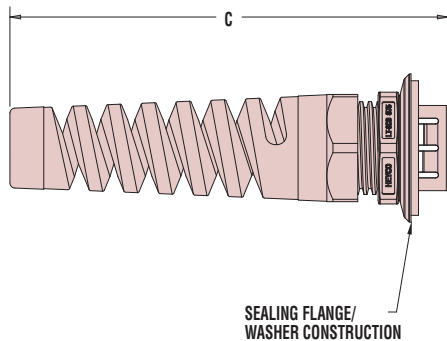
**NO LOCKNUT
REQUIRED!**



CABLE DIA. RANGE				PART NO.	DESCRIPTION	UL or RU	PANEL DIMENSIONS					
Minimum		Maximum					Black	A Mounting Hole Dia.		B To Prevent Rotation		C Max. O.A. Length
in.	mm.	in.	mm.		in.	mm.		in.	mm.	in.	mm.	
.065	1,7	.210	5,3	M3862	Flex LTRSCG 500	RU	.500	12,7	.450	11,4	2.50	63,5
.115	2,9	.250	6,4	M3860	Flex LTSCG 500							
.065	1,7	.230	5,8	M3868	Flex LTRSCG 625	RU	.625	15,9	.550	14,0	2.83	71,9
.105	2,7	.315	8,0	M3866	Flex LTSCG 625							
.069	1,8	.250	6,4	M3874	Flex LTRSCG 750	RU	.750	19,1	.660	16,8	3.46	87,9
.230	5,8	.395	10,0	M3872	Flex LTSCG 750							
.095	2,4	.260	6,6	M3880	Flex LTRSCG 875	RU	.875	22,2	.770	19,6	3.86	98,0
.170	4,3	.450	11,4	M3878	Flex LTSCG 875							

Standard color black.

- Integral nylon spring eases the cable into a lazy bend; prevents kinking and assures longest cable and product life.
- Easy installation—unique fingers securely snap into a range of panel thicknesses – up to .125" (3,2 mm) – with no tools or locknuts required.
- Sealing flange prevents sealing washer displacement due to water velocity to ensure a liquid tight IP 65 seal.
- Eliminate need for locknut or threaded hole to achieve liquid tight seal at panel; perfect for low clearance installation where locking nut access is limited.
- Ratchet design of sealing nut assembly provides superior anti-vibration and ensures a firm grip on the cable.
- Foam washer included.
- Rotation prevented when used in Double D mounting holes.
- For Double D Mounting Hole Punches, see page 4-30.
- Available in multiple sizes for flexible cord diameters ranging from .065" (1,7 mm) to .450" (11,4 mm).
- We recommend using the fitting with the smallest maximum diameter that will fit your application.
- Consult Heyco for cordgrips molded in other colors.



Material	Nylon 6/6 w/Buna N or TPE Sealing Gland
Certifications	RU Recognized under Components Program of Underwriters' Laboratories File E51579
	CSA Certified by Canadian Standard Association File 93876C
Flammability Rating	94V-2
Temperature Range	Static -40°F (-40°C) to 239°F (115°C) Dynamic -4°F (-20°C) to 212°F (100°C)
IP Rating	IP 65

Quick
Specs

X-ON Electronics

Largest Supplier of Electrical and Electronic Components

Click to view similar products for [Cable Glands, Strain Reliefs & Cord Grips](#) category:

Click to view products by [Heyco](#) manufacturer:

Other Similar products are found below :

[1218](#) [1300980012](#) [1300980105](#) [DBZM-6828](#) [1498](#) [915](#) [300623](#) [5632NM](#) [1124](#) [1151](#) [561-MP6P4WH](#) [5534M](#) [9000005073](#) [52104486](#)
[5315817](#) [N16 025 0112 1](#) [N16 020 0112 1](#) [M6106](#) [7422](#) [NG-9516 Gasket](#) [N16 016 0112 1](#) [NG-9514 Gasket](#) [52006151](#) [2704](#) [1.097.2012.50](#)
[1.152.1300.01](#) [1.152.2000.50](#) [1.152.2100.01](#) [1.152.4000.50](#) [1.209.1218.70](#) [1.209.2100.15](#) [1.209.6400.71](#) [1.609.1100.01](#) [1.609.2900.15](#)
[1.609.3200.52](#) [1.609.5000.51](#) [1.609.6300.50](#) [1.676.2500.50](#) [53112705](#) [53112715](#) [53112735](#) [53119073](#) [54115405](#) [52004120](#) [52001894](#)
[53018160](#) [APGPG36BA](#) [1300990004](#) [1.033.0913.01](#) [1.033.1116.01](#)