

“Stay Connected” with



Liquid Tight Cordgrips

a PennEngineering® Company

Heyco® -Tite Liquid Tight Cordgrips

Right Angle, Metric Hubs with Integral Sealing Ring

The Ultimate in Liquid Tight Strain Relief Protection

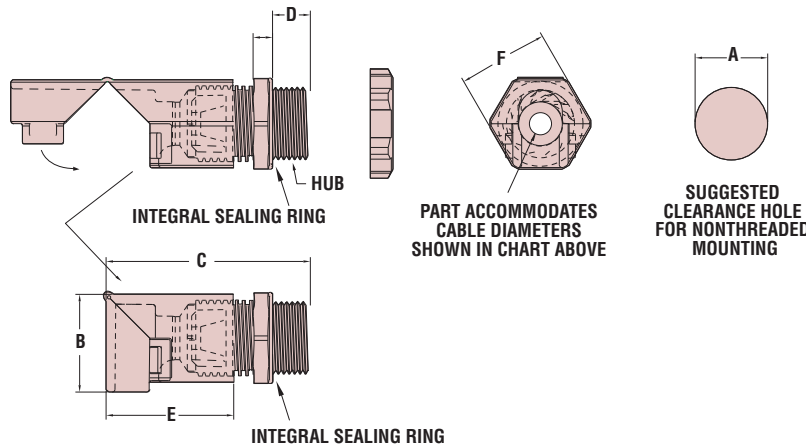
Patented Fold Over Design

**NO O-RING
REQUIRED!**



CABLE DIA. RANGE		PART NO.	DESCRIPTION	UL or RA	PART DIMENSIONS											
in.	mm.				A Clearance Hole Dia.	B Right Angle Height		C Max O.A. Length (Closed)		D Thread Length		E Sealing Nut Length		F Wrenching Nut Flat Size		
		Black			in.	mm.	in.	mm.	in.	mm.	in.	mm.	in.	mm.		
.065 - .210	1,7 - 5,3	M4448	RLTCG M12 90	RA	.473	12,0	.69	17,5	1.53	38,8	.32	8,1	.86	22,0	.63	16,0
.115 - .250	2,9 - 6,4	M4450	LTCG M12 90													
.065 - .230	1,7 - 5,8	M4452	RLTCG M16 90	RA	.630	16,0	.88	22,3	1.77	44,9	.32	8,1	1.07	27,1	.82	20,8
.105 - .315	2,7 - 8,0	M4454	LTCG M16 90													
.095 - .290	2,4 - 7,4	M4456	RLTCG M20 90	UL	.787	20,0	1.06	26,9	2.21	56,1	.41	10,4	1.38	35,1	.98	24,9
.170 - .450	4,3 - 11,4	M4458	LTCG M20 90													

Standard color black.



- Cordgrip is molded in the open position for ease of installation. After cable insertion, the cordgrip snaps closed, bending the cable without damage. This assembly method saves considerable time and money.
- Part design provides liquid tight integrity even in the open position.
- Integral Sealing Ring ensures a superior seal at the clearance or threaded mounting hole location, every time.
- Widest range of approved cable dimensions.
- IP 68 rated.
- Approved for **NEMA 4, 4X, 6 and 6P** applications.
- Acme threads on body prevent skipping and speed installation.
- All nylon construction with Buna N or TPE sealing gland resists salt water, weak acids, gasoline, alcohol, oil, grease, and common solvents. (This feature is not assessed by UL.)
- We recommend using the fitting with the smallest maximum diameter that will fit your application.
- **Patented.**
- CE Low Voltage Directive 73/23/EEC.
- VDE Marks License #40010390
- **Unassembled Nylon Locknuts INCLUDED.**
- For Heyco Liquid Tight Threaded Plugs, see page 3-51.
- Consult Heyco for cordgrips molded in other colors.

Material	Nylon 6/6 w/Buna N or TPE Sealing Gland
Certifications	<ul style="list-style-type: none"> Listed under Underwriters' Laboratories File E51579 Recognized under Components Program of Underwriters' Laboratories File E51579 Certified by Canadian Standard Association File 93876C Approved for NEMA 4, 4X, 6 and 6P Applications VDE Marks License #40010390 Low Voltage Directive 73/23/EEC
Flammability Rating	94V-2
Temperature Range	Static -40°F (-40°C) to 239°F (115°C) Dynamic -4°F (-20°C) to 212°F (100°C)
IP Rating	IP 68 (70 PSI, 5 BAR)

*Quick
Specs*

X-ON Electronics

Largest Supplier of Electrical and Electronic Components

Click to view similar products for [Cable Glands, Strain Reliefs & Cord Grips](#) category:

Click to view products by [Heyco](#) manufacturer:

Other Similar products are found below :

[1300980012](#) [1300980105](#) [DBZM-6828](#) [1498](#) [15190-103 R2](#) [300623](#) [07402002](#) [VC-M-KV-PG16 1X3/1X8](#) [5525](#) [35935](#) [35882](#) [M4340GAE](#)
[4597](#) [NG-9516 Gasket](#) [52006157](#) [52006176](#) [BM4963L](#) [53629556](#) [53629570](#) [53629675](#) [52025230](#) [52024853](#) [52103160](#) [52115810](#)
[53017640](#) [53019051](#) [53112270](#) [53112330](#) [53112860](#) [53112879](#) [53112929](#) [53111470](#) [53015270](#) [53015090](#) [53018090](#) [PG-29](#) [36680](#) [36681](#)
[36550](#) [35226](#) [35228](#) [36382](#) [36310](#) [35231](#) [36818](#) [36302](#) [36827](#) [37102-90](#) [35203](#) [35098](#)