



Heyco® -Tite Combiner Box Liquid Tight Cordgrips

Multi-Hole, Snap-In Hubs - IP 64 Rated

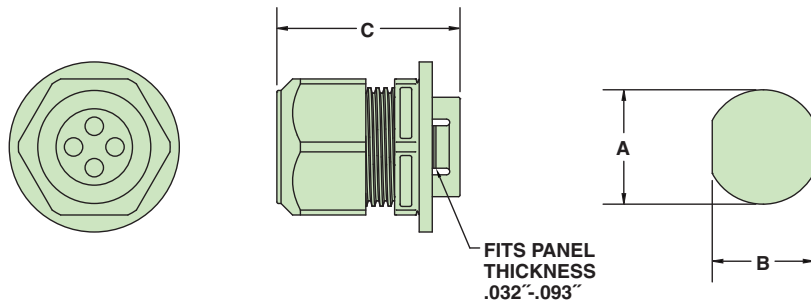
The Ultimate in Liquid Tight Strain Relief Protection

For use in Clearance Holes in Panels from
.032" (0,8 mm) to .093" (2,4 mm) Thick

- House multiple wires at one entry point providing a liquid tight seal around each wire and at the panel.
- IP 64 Rated.
- Easy installation—Unique fingers securely lock into a range of panel sizes without use of locknut. No tools required.
- Secure “click in place” fit reduces tightening errors by installers.
- Limited intrusion into enclosure where access is tight.
- Ideal when individual conductors for power or control are used rather than jacketed cable.
- Smooth, rounded interior edges for ease of installation.
- Ratchet design of sealing nut assembly provides superior anti-vibration and ensures a firm grip on the cable.
- Rotation prevented when used in “Double D” mounting holes.
- For use in clearance holes.
- Made of nylon construction with TPE sealing glands that resist salt water, weak acids, gasoline, alcohol, oil, grease, and common solvents. (This feature is not assessed by UL.)
- **Foam sealing washer INCLUDED with Cordgrip.**
- For complete range of Heyco Cordgrips, see Section 3.

GLAND CONFIGURATION			PART NO.	DESCRIPTION	PART DIMENSIONS					
Size mm.	Type *	AWG/No.			Black	A Mounting Hole Dia.		B To Prevent Rotation		C Max. Overall Length
					in.	mm.	in.	mm.	in.	mm.
4,2	USE-2	12/2	M4818GAB	SCG 875	.875	22,2	.77	19,6	1.46	37,1
4,6	USE-2	12/3	M4830GBD	SCG 1093	1.093	27,8	.97	24,6	1.75	44,5
			M4836GBD	SCG 1125	1.125	28,6	1.00	25,4		
		12/4	M4830GBE	SCG 1093	1.093	27,8	.97	24,6	1.75	44,5
			M4836GBE	SCG 1125	1.125	28,6	1.00	25,4		
5,2	USE-2	10/2	M4818GAE	SCG 875	.875	22,2	.77	19,6	1.46	37,1
		10/3	M4830GAF	SCG 1093	1.093	27,8	.97	24,6	1.75	44,5
			M4836GAF	SCG 1125	1.125	28,6	1.00	25,4		
		10/4	M4830GAG	SCG 1093	1.093	27,8	.97	24,6	1.75	44,5
			M4836GAG	SCG 1125	1.125	28,6	1.00	25,4		
7,0	PV 1000	12/3	M4830GAM	SCG 1093	1.093	27,8	.97	24,6	1.75	44,5
			M4836GAM	SCG 1125	1.125	28,6	1.00	25,4		
7,4	PV 1000	12/2	M4830GAN	SCG 1093	1.093	27,8	.97	24,6	1.75	44,5
			M4836GAN	SCG 1125	1.125	28,6	1.00	25,4		
8,0	PV 1000	10/2	M4830GAQ	SCG 1093	1.093	27,8	.97	24,6	1.75	44,5
			M4836GAQ	SCG 1125	1.125	28,6	1.00	25,4		

*AWG 10 and 12 for both USE-2 and PV 1000.
Foam Washer INCLUDED.



Quick
Specs

Material	Nylon 6/6 with TPE sealing gland
Flammability Rating	94V-2
Temperature Rating	-22°F (-30°C) to 212°F (100°C)
IP Rating	IP 64

X-ON Electronics

Largest Supplier of Electrical and Electronic Components

Click to view similar products for [Cable Mounting & Accessories](#) category:

Click to view products by [Heyco](#) manufacturer:

Other Similar products are found below :

[582603-1](#) [009333-000](#) [727844N003](#) [747](#) [809090N001](#) [843188-000](#) [8666](#) [967279N002](#) [DB-11](#) [1300840039](#) [1300900096](#) [1301800416](#)
[1302264450](#) [1300830184](#) [1300830729](#) [1300900039](#) [1301580036](#) [1301850553](#) [1301860939](#) [1302000074](#) [1302261315](#) [1302264431](#)
[1337706-2](#) [APA18-AK](#) [1724](#) [1-787307-1](#) [185491N001](#) [1868](#) [HP-6N](#) [C-202-C](#) [202C221-13-0](#) [CA7308-000](#) [8S23-75FR-CS8184](#) [2684](#) [9648](#)
[3089](#) [988382-000](#) [A72821-000](#) [AA401](#) [173506-000](#) [202C292-13-0](#) [202C302-13-0](#) [2109](#) [300625](#) [3330](#) [3412](#) [M9142](#) [M9143](#) [529732-000](#)
[561-50D1187](#)