

“Stay Connected” with



Liquid Tight Cordgrips

a PennEngineering® Company



## Heyco® -Tite Aluminum Liquid Tight Cordgrips

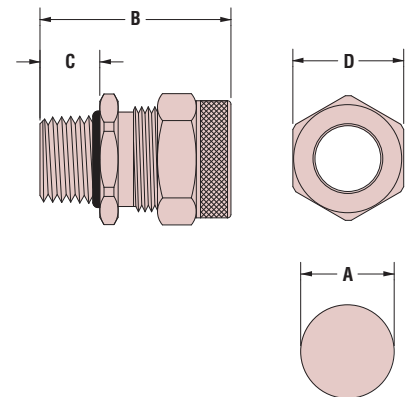
### Straight-Thru, NPT Hubs

The Ultimate in Liquid Tight Strain Relief Protection

| CABLE DIA. RANGE |      |         |      | PART NO.<br>Machined Aluminum | THREAD SIZE | UL | PART DIMENSIONS          |      |                       |      |                    |      |                          |      |
|------------------|------|---------|------|-------------------------------|-------------|----|--------------------------|------|-----------------------|------|--------------------|------|--------------------------|------|
| Minimum          |      | Maximum |      |                               |             |    | A<br>Clearance Hole Dia. |      | B<br>Max. O.A. Length |      | C<br>Thread Length |      | D<br>Wrenching Flat Size |      |
| in.              | mm.  | in.     | mm.  |                               |             |    | in.                      | mm.  | in.                   | mm.  | in.                | mm.  | in.                      | mm.  |
| .125             | 3,2  | .188    | 4,8  | <b>M5029</b>                  | NPT 3/4     | UL | 1.09                     | 27,7 | 1.62                  | 41,1 | .56                | 14,2 | 1.13                     | 28,7 |
| .188             | 4,8  | .250    | 6,4  | <b>M5030</b>                  |             |    |                          |      |                       |      |                    |      |                          |      |
| .250             | 6,4  | .312    | 7,9  | <b>M5031</b>                  |             |    |                          |      |                       |      |                    |      |                          |      |
| .312             | 7,9  | .375    | 9,5  | <b>M5032</b>                  |             |    |                          |      |                       |      |                    |      |                          |      |
| .375             | 9,5  | .438    | 11,1 | <b>M5033</b>                  |             |    |                          |      |                       |      |                    |      |                          |      |
| .438             | 11,1 | .500    | 12,7 | <b>M5034</b>                  |             |    |                          |      |                       |      |                    |      |                          |      |
| .500             | 12,7 | .562    | 14,3 | <b>M5035</b>                  |             |    |                          |      |                       |      |                    |      |                          |      |
| .562             | 14,3 | .625    | 15,9 | <b>M5036</b>                  |             |    |                          |      |                       |      |                    |      |                          |      |
| .438             | 11,1 | .500    | 12,7 | <b>M5037</b>                  | NPT 3/4     | UL | 1.09                     | 27,7 | 1.82                  | 46,2 | .56                | 14,2 | 1.37                     | 34,8 |
| .500             | 12,7 | .562    | 14,3 | <b>M5038</b>                  |             |    |                          |      |                       |      |                    |      |                          |      |
| .562             | 14,3 | .625    | 15,9 | <b>M5039</b>                  |             |    |                          |      |                       |      |                    |      |                          |      |
| .562             | 14,3 | .688    | 17,5 | <b>M5040</b>                  |             |    |                          |      |                       |      |                    |      |                          |      |
| .625             | 15,9 | .750    | 19,1 | <b>M5041</b>                  |             |    |                          |      |                       |      |                    |      |                          |      |
| .688             | 17,5 | .812    | 20,6 | <b>M5042</b>                  |             |    |                          |      |                       |      |                    |      |                          |      |
| .438             | 11,1 | .562    | 14,3 | <b>M5050</b>                  |             |    |                          |      |                       |      |                    |      |                          |      |
| .562             | 14,3 | .625    | 15,9 | <b>M5051</b>                  |             |    |                          |      |                       |      |                    |      |                          |      |
| .562             | 14,3 | .688    | 17,5 | <b>M5052</b>                  |             |    |                          |      |                       |      |                    |      |                          |      |
| .625             | 15,9 | .750    | 19,1 | <b>M5053</b>                  |             |    |                          |      |                       |      |                    |      |                          |      |
| .688             | 17,5 | .812    | 20,6 | <b>M5054</b>                  |             |    |                          |      |                       |      |                    |      |                          |      |
| .750             | 19,1 | .875    | 22,2 | <b>M5055</b>                  |             |    |                          |      |                       |      |                    |      |                          |      |
| .812             | 20,6 | .938    | 23,8 | <b>M5056</b>                  |             |    |                          |      |                       |      |                    |      |                          |      |
| .875             | 22,2 | 1.000   | 25,4 | <b>M5057*</b>                 |             |    |                          |      |                       |      |                    |      |                          |      |
| .875             | 22,2 | 1.000   | 25,4 | <b>M5058</b>                  | NPT 1       | UL | 1.38                     | 35,1 | 2.50                  | 63,5 | .69                | 17,5 | 2.25                     | 57,2 |
| 1.000            | 25,4 | 1.125   | 28,6 | <b>M5059</b>                  |             |    |                          |      |                       |      |                    |      |                          |      |
| 1.125            | 28,6 | 1.250   | 31,8 | <b>M5060</b>                  |             |    |                          |      |                       |      |                    |      |                          |      |
| 1.250            | 31,8 | 1.375   | 34,9 | <b>M5061</b>                  |             |    |                          |      |                       |      |                    |      |                          |      |
| .562             | 14,3 | .688    | 17,5 | <b>M5062</b>                  |             |    |                          |      |                       |      |                    |      |                          |      |
| .688             | 17,5 | .812    | 20,6 | <b>M5063</b>                  | NPT 1-1/4   | UL | 1.72                     | 43,7 | 2.50                  | 63,5 | .69                | 17,5 | 2.25                     | 57,2 |
| .750             | 19,1 | .875    | 22,2 | <b>M5064</b>                  |             |    |                          |      |                       |      |                    |      |                          |      |
| .875             | 22,2 | 1.000   | 25,4 | <b>M5065</b>                  |             |    |                          |      |                       |      |                    |      |                          |      |
| 1.000            | 25,4 | 1.125   | 28,6 | <b>M5066</b>                  |             |    |                          |      |                       |      |                    |      |                          |      |
| 1.125            | 28,6 | 1.250   | 31,8 | <b>M5067</b>                  |             |    |                          |      |                       |      |                    |      |                          |      |
| 1.250            | 31,8 | 1.375   | 34,9 | <b>M5068</b>                  |             |    |                          |      |                       |      |                    |      |                          |      |

Assembled O-ring **INCLUDED**. \*Not UL Listed or CSA Certified.  
Locknut not included - See page 3-48 for Metal Locknuts.

- **Aluminum construction** provides excellent durability and performance for most **industrial applications**.
- For use in both indoor and outdoor applications to prevent cable pull-out, control arc of bend, and to provide a tight seal against environmental elements such as dirt, moisture, and coolants.
- IP 67 rated.
- Protect cable from damage and pull-out and are used in conduit hubs or knock-outs at the point where the electrical cable is to be terminated.
- Unique design with a combination tightening surface that includes both a hex area and a knurled surface.
- Anti-friction washer allows for easier compression.
- DFARS Compliant



SUGGESTED CLEARANCE HOLE FOR NONTHEADED MOUNTING

|                     |  |
|---------------------|--|
| Material            | Aluminum with Neoprene Sealing Gland and Viton® O-Ring   |
| Certifications      | <ul style="list-style-type: none"> <li>UL Listed under Underwriters' Laboratories File E51579</li> <li>CSA Certified by Canadian Standard Association File 258093</li> </ul> |
| Flammability Rating | 94V-2  |
| Temperature Range   | -40°F (-40°C) to 250°F (121°C)   |
| IP Rating           | IP 67  |

Quick Specs

## X-ON Electronics

Largest Supplier of Electrical and Electronic Components

*Click to view similar products for [Cable Glands, Strain Reliefs & Cord Grips](#) category:*

*Click to view products by [Heyco](#) manufacturer:*

Other Similar products are found below :

[1218](#) [1300980012](#) [1300980105](#) [DBZM-6828](#) [1498](#) [915](#) [300623](#) [5632NM](#) [1124](#) [1151](#) [561-MP6P4WH](#) [5534M](#) [9000005073](#) [52104486](#)  
[5315817](#) [N16 025 0112 1](#) [N16 020 0112 1](#) [M6106](#) [7422](#) [NG-9516 Gasket](#) [N16 016 0112 1](#) [NG-9514 Gasket](#) [52006151](#) [2704](#) [1.097.2012.50](#)  
[1.152.1300.01](#) [1.152.2000.50](#) [1.152.2100.01](#) [1.152.4000.50](#) [1.209.1218.70](#) [1.209.2100.15](#) [1.209.6400.71](#) [1.609.1100.01](#) [1.609.2900.15](#)  
[1.609.3200.52](#) [1.609.5000.51](#) [1.609.6300.50](#) [1.676.2500.50](#) [53112705](#) [53112715](#) [53112735](#) [53119073](#) [54115405](#) [52004120](#) [52001894](#)  
[53018160](#) [APGPG36BA](#) [1300990004](#) [1.033.0913.01](#) [1.033.1116.01](#)