

“Stay Connected” with



Liquid Tight Cordgrips

a PennEngineering® Company

**NO O-RING  
REQUIRED!**

## Heyco® -Tite Liquid Tight Cordgrips

Right Angle, PG Hubs with Integral Sealing Ring

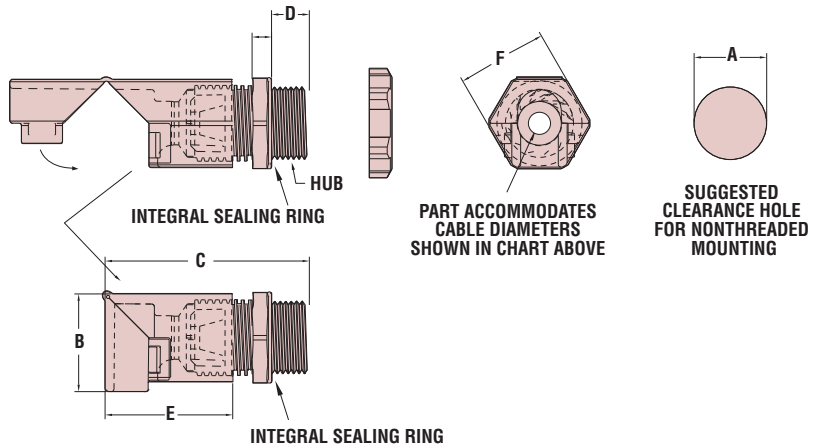
The Ultimate in Liquid Tight Strain Relief Protection

Patented Fold Over Design

- Cordgrip is molded in the open position for ease of installation. After cable insertion, the cordgrip snaps closed, bending the cable without damage. This assembly method saves considerable time and money.
- Part design provides liquid tight integrity even in the open position.
- Integral Sealing Ring ensures a superior seal at the clearance or threaded mounting hole location, every time.
- Widest range of approved cable dimensions.
- IP 68 rated.
- Approved for **NEMA 4, 4X, 6 and 6P** applications.
- Acme threads on body prevent skipping and speed installation.
- All nylon construction with Buna N or TPE sealing gland resists salt water, weak acids, gasoline, alcohol, oil, grease, and common solvents. (This feature is not assessed by UL.)
- We recommend using the fitting with the smallest maximum diameter that will fit your application.
- **Patented.**
- **Unassembled Nylon Locknuts INCLUDED.**
- For Heyco Liquid Tight Threaded Plugs, see page 3-51.
- Consult Heyco for cordgrips molded in other colors.

CABLE DIA. RANGE		PART NO.	DESCRIPTION	UL or RA	PART DIMENSIONS											
in.	mm.				A Clearance Hole Dia.	B Right Angle Height	C Max O.A. Length (Closed)	D Thread Length	E Sealing Nut Length	F Wrenching Nut Flat Size	in.	mm.	in.	mm.		
.065 - .210	1,7 - 5,3	<b>M8530</b>	RLTCG 7 90	RA	4,92	12,5	.69	17,5	1,53	38,8	.32	8,1	.86	21,8	.63	16,0
.115 - .250	2,9 - 6,4	<b>M8532</b>	LTCG 7 90													
.065 - .230	1,7 - 5,8	<b>M8534</b>	RLTCG 9 90	RA	5,99	15,2	.88	22,3	1,77	44,9	.32	8,1	1,07	27,1	8,2	20,8
.105 - .315	2,7 - 8,0	<b>M8536</b>	LTCG 9 90													
.069 - .260	1,8 - 6,6	<b>M8538</b>	RLTCG 11 90	RA	7,33	18,6	.99	25,1	2,01	51,0	.38	9,7	1,23	31,2	.94	23,9
.230 - .400	5,8 - 10,2	<b>M8540</b>	LTCG 11 90													
.095 - .290	2,4 - 7,4	<b>M4542</b>	RLTCG 13.5 90	UL	8,04	20,4	1,06	26,9	2,21	56,1	.41	10,4	1,38	35,1	.98	24,9
.170 - .450	4,3 - 11,4	<b>M8542</b>	LTCG 13.5 90													

Standard color black.



Quick  
Specs

Material	Nylon 6/6 w/Buna N or TPE Sealing Gland
Certifications	<ul style="list-style-type: none"> <li>UL Listed under Underwriters' Laboratories File E51579</li> <li>RA Recognized under Components Program of Underwriters' Laboratories File E51579</li> <li>CSA Certified by Canadian Standard Association File 93876C</li> </ul>
Flammability Rating	94V-2
Temperature Range	Static -40°F (-40°C) to 239°F (115°C) Dynamic -4°F (-20°C) to 212°F (100°C)
IP Rating	IP 68 (70 PSI, 5 BAR)

## X-ON Electronics

Largest Supplier of Electrical and Electronic Components

*Click to view similar products for [Cable Glands, Strain Reliefs & Cord Grips](#) category:*

*Click to view products by [Heyco](#) manufacturer:*

Other Similar products are found below :

[1300980012](#) [1300980105](#) [DBZM-6828](#) [1498](#) [15190-103 R2](#) [300623](#) [07402002](#) [VC-M-KV-PG16 1X3/1X8](#) [5525](#) [35935](#) [35882](#) [M4340GAE](#)  
[4597](#) [NG-9516 Gasket](#) [52006157](#) [52006176](#) [BM4963L](#) [53629556](#) [53629570](#) [53629675](#) [52025230](#) [52024853](#) [52103160](#) [52115810](#)  
[53017640](#) [53019051](#) [53112270](#) [53112330](#) [53112860](#) [53112879](#) [53112929](#) [53111470](#) [53015270](#) [53015090](#) [53018090](#) [PG-29](#) [36680](#) [36681](#)  
[36550](#) [35226](#) [35228](#) [36382](#) [36310](#) [35231](#) [36818](#) [36302](#) [36827](#) [37102-90](#) [35203](#) [35098](#)