

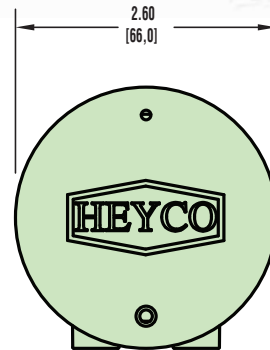


Heyco® PVB 001 Diodeless Solar Junction Boxes

For Use in Applications Which Require a Diodeless Junction Box

- **Low profile design** minimizes use of potting material while permitting ample access for electrical connections.
- Low cost two piece construction for potted applications.
- Durably constructed of high temperature polycarbonate with 5VA and UL f1 ratings to withstand outdoor exposure with excellent cold impact capabilities.
- Lid securely snaps on without use of tools—speeds panel fabrication.
- Designed for USE-2 and 1000V PV wire.
- Housing only—for custom connection needs, please consult Heyco.
- For special applications, please contact Heyco.

PART NO.	DESCRIPTION	PART DIMENSIONS				WIRE TYPE
		A		B		
		Hole Diameter		Maximum Cable Diameter		
		in.	mm.	in.	mm.	
S6194	PVB 001 Set (4,7 mm)	.19	4,7	.18	4,7	12 AWG USE-2
S6190	PVB 001 Set (5,1 mm)	.22	5,6	.20	5,1	10 AWG USE-2
S6192	PVB 001 Set (7,6 mm)	.31	7,9	.30	7,6	10 AWG PV-Wire



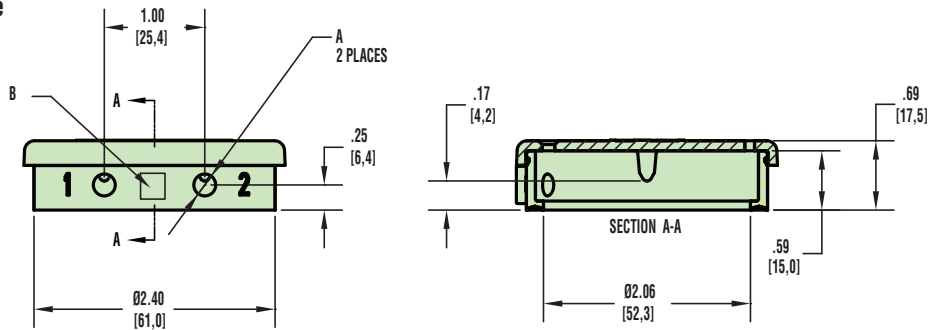
PN S6199



Optional mounting plate for use with flexible panel applications for added secureness



Junction Box attaches to plate clips on opposite side of panel



Quick Specs

Material: Polycarbonate housing with UV stability
 Flammability Rating: VO, 5VA
 Temperature Range: -40°F (-40°C) to 221°F (105°C)

X-ON Electronics

Largest Supplier of Electrical and Electronic Components

Click to view similar products for [Enclosures, Boxes & Cases](#) category:

Click to view products by [Heyco](#) manufacturer:

Other Similar products are found below :

[585-R-WH-PK](#) [014415](#) [M-10-PLATED](#) [60221-01](#) [60566-01-000](#) [HPL-9VB BATT DOOR](#) [M18-PLTD](#) [M-21-PLATED](#) [63310-01-000](#)
[6711GSKT](#) [71884-29-028](#) [LH45-100 Black](#) [7200B](#) [72868-510-000](#) [CNS-0000 Black](#) [72883-510-000](#) [CNS-0101 Black](#) [72906-510-000](#) [CNS-](#)
[0407 Black](#) [73092-510-000](#) [CNM-0101 Black](#) [73105-510-000](#) [CNL-0101 Black](#) [73108-510-000](#) [CNL-0303 Black](#) [73395-510-039](#) [CNS-0006](#)
[Bone](#) [74257-510-000](#) [CNL-0004](#) [MDC-1183-PLAIN-ALUM](#) [MDC-1183-PTD](#) [MDC-13104-PTD](#) [MDC-321-PTD](#) [MDC-973-PTD](#) [76](#)
[77153-01-028](#) [FLX6030](#) [83535-01-508](#) [90026-501-000](#) [PS36-200](#) [116-508](#) [120-407](#) [120-910](#) [127-908](#) [130-008](#) [1301170079](#) [1322GSKTEP](#)
[1325GSKT3](#) [138-PLAIN](#) [1434-1210](#) [EAS-500 \(BLACK ANO\)](#) [1804RP-RB-PK](#) [190-005](#) [KAB3321 BLACK](#) [KAB3421](#) [2697466](#) [S52213](#)
[2901699](#) [A0645271](#) [A20P20](#) [2106-IR](#)