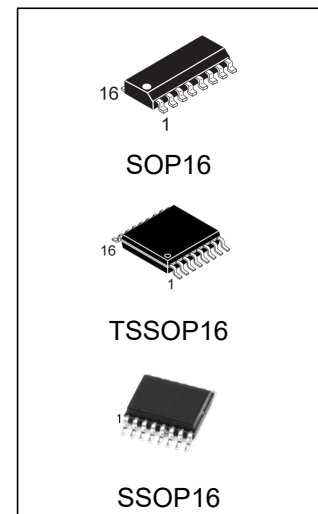


Features

- Complies with JEDEC standard no. 7A
- CMOS input levels
- Synchronous counting and loading
- 2 count enable inputs for n-bit cascading
- Asynchronous reset
- Positive-edge triggered clock
- ESD protection:
 HBM JESD22-A114F exceeds 2000 V
 MM JESD22-A115-A exceeds 200 V
- Multiple package options
- Specified from -40 °C to +85 °C



Ordering Information

DEVICE	Package Type	MARKING	Packing	Packing Qty
74HC161M/TR	SOP-16	74HC161	REEL	2500pcs/reel
74HC161MT/TR	TSSOP-16	74HC161	REEL	2500pcs/reel
74HC161MS/TR	SSOP-16	74HC161	REEL	2500pcs/reel

General description

The 74HC161 is a synchronous presettable binary counter with an internal look-ahead carry. Synchronous operation is provided by having all flip-flops clocked simultaneously on the positivegoing edge of the clock (CP). The outputs (Q0 to Q3) of the counters may be preset HIGH or LOW.

A LOW at the parallel enable input (PE) disables the counting action and causes the data at the data inputs (D0 to D3) to be loaded into the counter on the positive-going edge of the clock. Preset takes place regardless of the levels at count enable inputs (CEP and CET). A LOW at the master reset input (MR) sets Q0 to Q3 LOW regardless of the levels at input pins CP, PE, CET and CEP (thus providing an asynchronous clear function). The look-ahead carry simplifies serial cascading of the counters. Both CEP and CET must be HIGH to count. The CET input is fed forward to enable the terminal count output (TC). The TC output thus enabled will produce a HIGH output pulse of a duration approximately equal to a HIGH output of Q0. This pulse can be used to enable the next cascaded stage. The maximum clock frequency for the cascaded counters is determined by the CP to TC propagation delay and CEP to CP set-up time, according to the following formula:

$$F_{\max} = \frac{1}{t_{p(\max)}(\text{CPtoTC}) + t_{\text{SU}}(\text{CEPtoCP})}$$

Inputs include clamp diodes. This enables the use of current limiting resistors to interface inputs to voltages in excess of V_{CC} .

Functional diagram

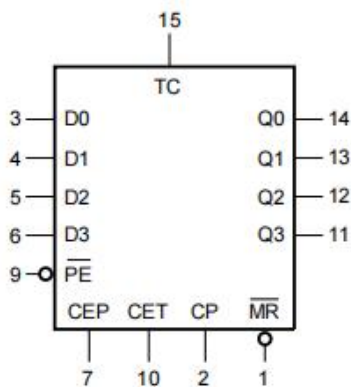


Fig.1.Logic symbol

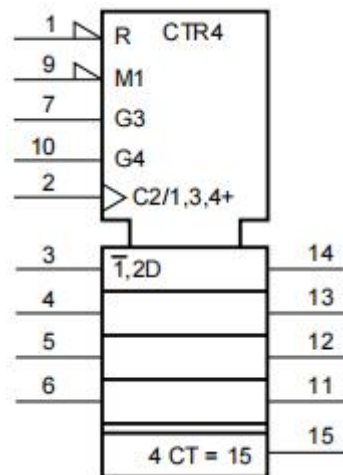


Fig.2.IEC logic symbol

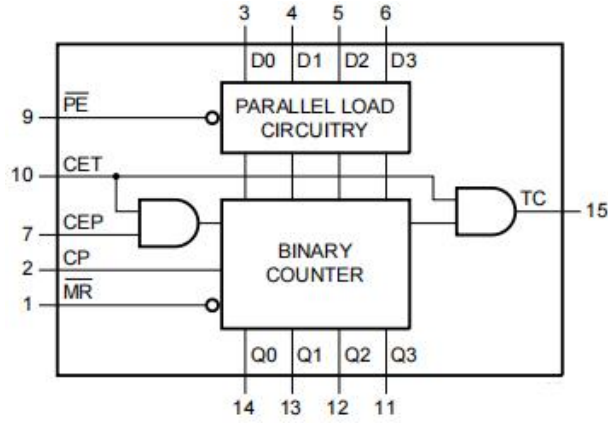


Fig. 3. Functional diagram

Presetable synchronous 4-bit binary counter; asynchronous reset

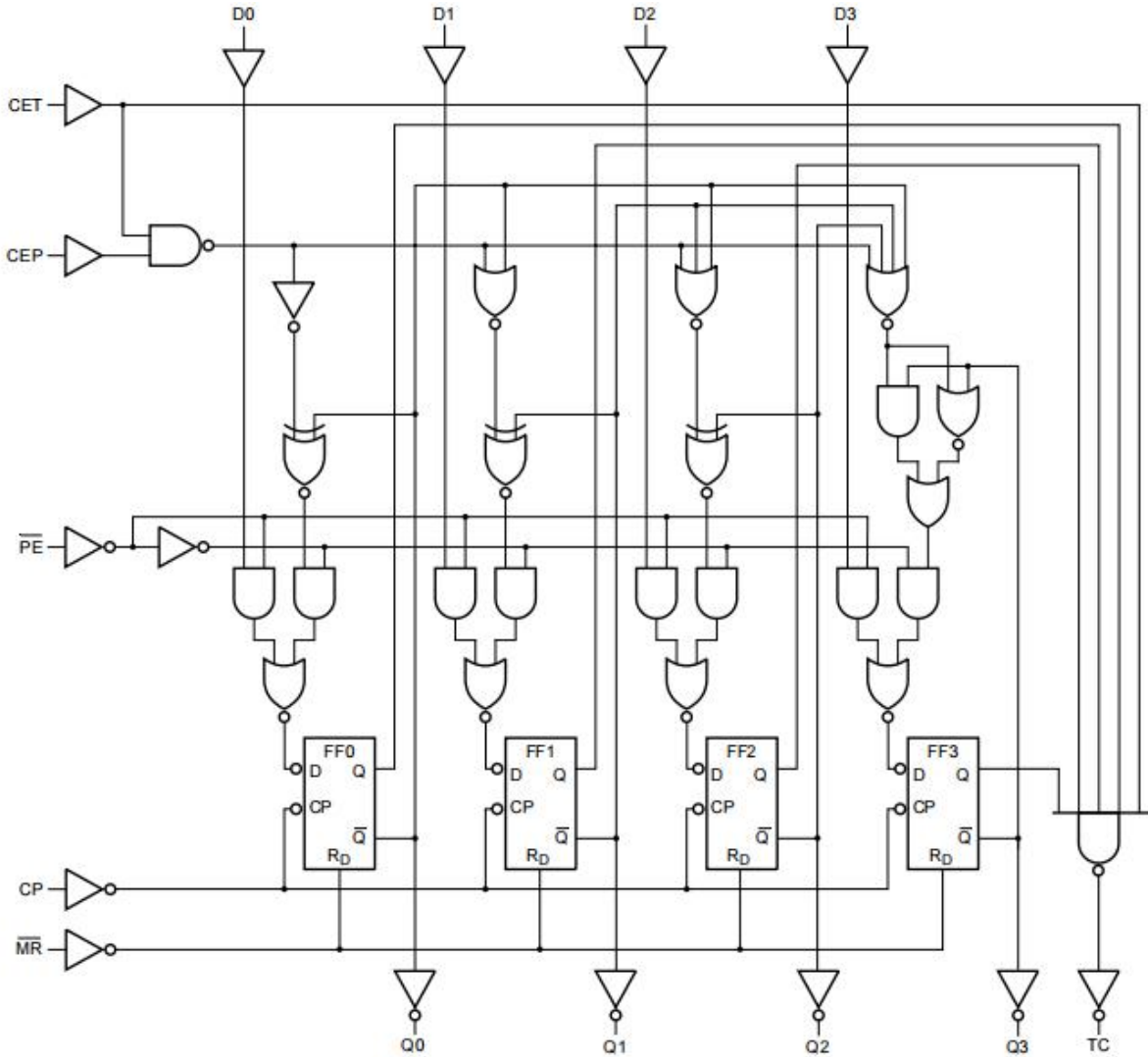


Fig. 4. Logic diagram

Pin Configuration

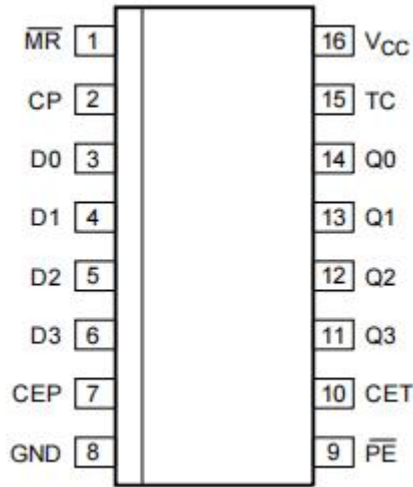


Fig 5.Pin configuration SOP-16

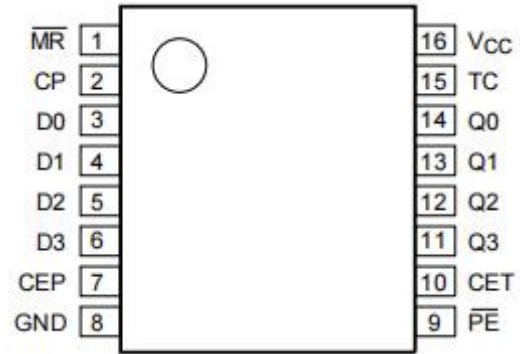


Fig 6.Pin configuration SSOP16 and TSSOP16

Pin description

Symbol	Pin	Description
\overline{MR}	1	asynchronous master reset (active LOW)
CP	2	clock input (LOW-to-HIGH, edge-triggered)
D0, D1, D2, D3	3, 4, 5, 6	data input
CEP	7	count enable input
GND	8	ground (0 V)
PE	9	parallel enable input (active LOW)
CET	10	count enable carry input
Q0, Q1, Q2, Q3	14, 13, 12, 11	flip-flop output
TC	15	terminal count output
VCC	16	supply voltage

Function table[1]

Operating modes	Input						Output	
	MR	CP	CEP	CET	PE	Dn	Qn	TC
Reset (clear)	L	X	X	X	X	X	L	L
Parallel load	H	↑	X	X	l	l	L	L
	H	↑	X	X	l	h	H	[2]
Count	H	↑	h	h	h	X	count	[2]
Hold (do nothing)	H	X	l	X	h	X	qn	[2]
	H	X	X	l	h	X	qn	L

- H = HIGH voltage level
 h = HIGH voltage level one set-up time prior to the LOW-to-HIGH clock transition
 L = LOW voltage level
 l = LOW voltage level one set-up time prior to the LOW-to-HIGH clock transition
 qn = lower case letters indicate the state of the referenced output one set-up time prior to the LOW-to-HIGH clock transition
 X = don't care
 ↑ = LOW-to-HIGH clock transition
- The TC output is HIGH when CET is HIGH and the counter is at terminal count (HHHH)

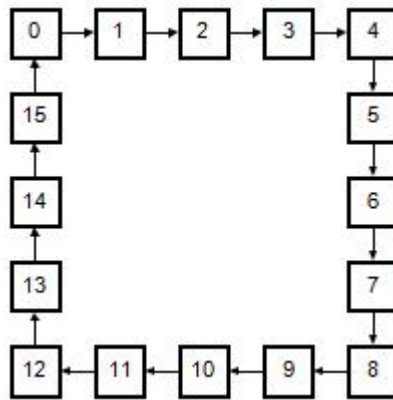
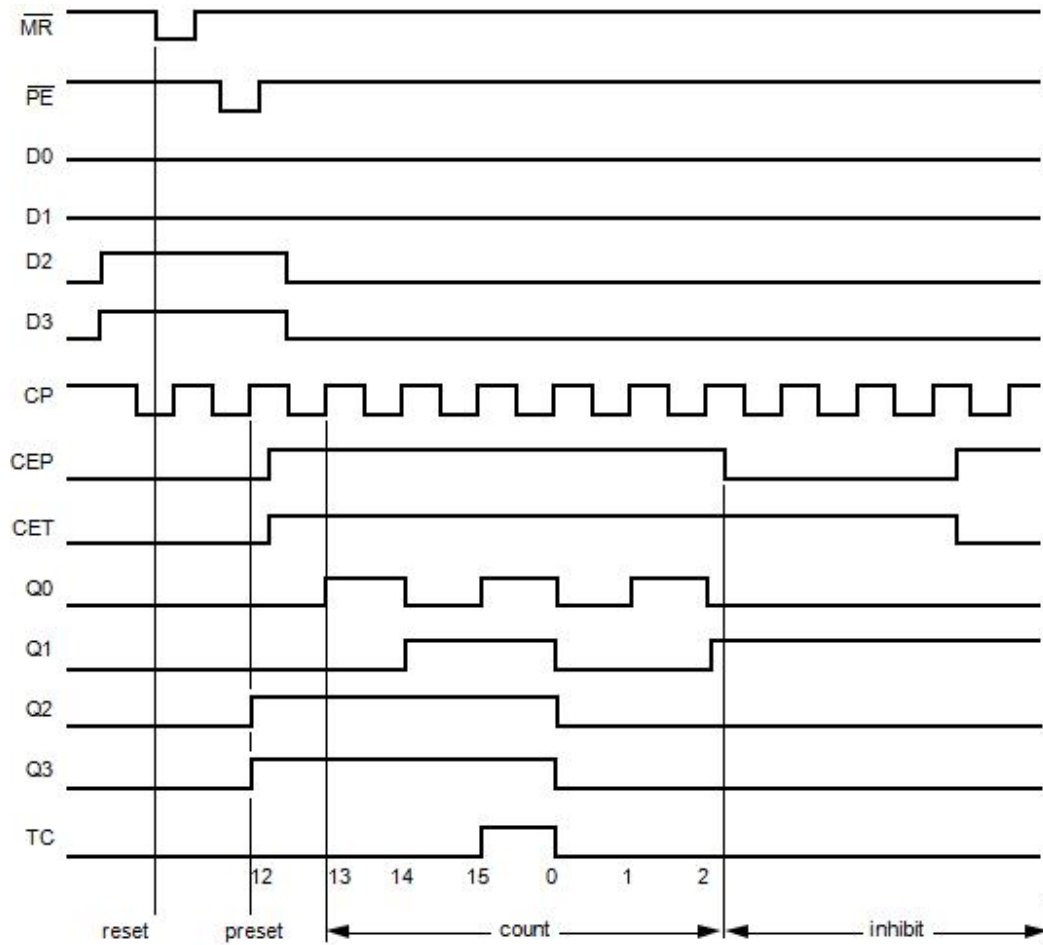


Fig. 7. State diagram



Typical timing sequence: reset outputs to zero; preset to binary twelve; count to thirteen, fourteen, fifteen, zero, one and two; inhibit.

Fig. 8. Typical timing sequence

Limiting values

In accordance with the Absolute Maximum Rating System (IEC 60134). Voltages are referenced to GND (ground = 0 V).

Symbol	Parameter	Conditions	Min	Max	Unit
V_{CC}	supply voltage		-0.5	+7.0	V
I_{IK}	input clamping current	$V_I < -0.5\text{ V}$ or $V_I > V_{CC} + 0.5\text{ V}$	-	± 20	mA
I_{OK}	output clamping current	$V_O < -0.5\text{ V}$ or $V_O > V_{CC} + 0.5\text{ V}$	-	± 20	mA
I_O	output current	$V_O = -0.5\text{ V}$ to $V_{CC} + 0.5\text{ V}$	-	± 25	mA
I_{CC}	supply current		-	50	mA
I_{GND}	ground current		-50	-	mA
T_{stg}	storage temperature		-65	+150	°C
P_{tot}	total power dissipation	[1]	-	500	mW

For SO16 packages: above 70 °C the value of P_{tot} derates linearly at 8mW/K.

For (T)SSOP16 packages: above 60 °C the value of P_{tot} derates linearly at 5.5mW/K.

Recommended operating conditions

Voltages are referenced to GND (ground = 0 V)

Symbol	Parameter	Conditions	Min	Typ	Max	Unit
V_{CC}	supply voltage		2.0	5.0	6.0	V
V_I	input voltage		0	-	VCC	V
V_O	output voltage		0	-	VCC	V
T_{amb}	ambient temperature		-40	+25	+85	°C
$\Delta t/\Delta V$	input transition rise and fall rate	$V_{CC} = 2.0\text{ V}$	-	-	625	ns/V
		$V_{CC} = 4.5\text{ V}$	-	1.67	139	ns/V
		$V_{CC} = 6.0\text{ V}$	-	-	83	ns/V

Static characteristics

At recommended operating conditions; voltages are referenced to GND (ground = 0 V).

Symbol	Parameter	Conditions	25 °C			-40 °C to +85 °C		Unit
			Min	Typ	Max	Min	Max	
V_{IH}	HIGH-level input voltage	$V_{CC} = 2.0\text{ V}$	1.5	1.2	-	1.5	-	V
		$V_{CC} = 4.5\text{ V}$	3.15	2.4	-	3.15	-	V
		$V_{CC} = 6.0\text{ V}$	4.2	3.2	-	4.2	-	V
V_{IL}	LOW-level input voltage	$V_{CC} = 2.0\text{ V}$	-	0.8	0.5	-	0.5	V
		$V_{CC} = 4.5\text{ V}$	-	2.1	1.35	-	1.35	V
		$V_{CC} = 6.0\text{ V}$	-	2.8	1.8	-	1.8	V
V_{OH}	HIGH-level output voltage	$V_I = V_{IH}\text{ or }V_{IL}$						
		$I_O = -20\ \mu\text{A}; V_{CC} = 2.0\text{ V}$	1.9	2.0	-	1.9	-	V
		$I_O = -20\ \mu\text{A}; V_{CC} = 4.5\text{ V}$	4.4	4.5	-	4.4	-	V
		$I_O = -20\ \mu\text{A}; V_{CC} = 6.0\text{ V}$	5.9	6.0	-	5.9	-	V
		$I_O = -4.0\text{ mA}; V_{CC} = 4.5\text{ V}$	3.98	4.32	-	3.84	-	V
	$I_O = -5.2\text{ mA}; V_{CC} = 6.0\text{ V}$	5.48	5.81	-	5.34	-	V	
V_{OL}	LOW-level output voltage	$V_I = V_{IH}\text{ or }V_{IL}$						
		$I_O = 20\ \mu\text{A}; V_{CC} = 2.0\text{ V}$	-	0	0.1	-	0.1	V
		$I_O = 20\ \mu\text{A}; V_{CC} = 4.5\text{ V}$	-	0	0.1	-	0.1	V
		$I_O = 20\ \mu\text{A}; V_{CC} = 6.0\text{ V}$	-	0	0.1	-	0.1	V
		$I_O = 4.0\text{ mA}; V_{CC} = 4.5\text{ V}$	-	0.15	0.26	-	0.33	V
	$I_O = 5.2\text{ mA}; V_{CC} = 6.0\text{ V}$	-	0.16	0.26	-	0.33	V	
I_I	input leakage current	$V_I = V_{CC}\text{ or GND}; V_{CC} = 6.0\text{ V}$	-	-	±0.1	-	±1.0	μA
I_{CC}	supply current	$V_I = V_{CC}\text{ or GND}; I_O = 0\text{ A}; V_{CC} = 6.0\text{ V}$	-	-	8.0	-	80.0	μA
C_I	input capacitance		-	3.5	-	-	-	pF

Dynamic characteristics

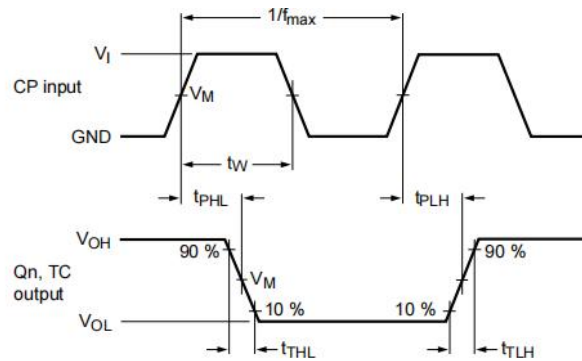
Voltages are referenced to GND (ground = 0 V); $C_L = 50$ pF unless otherwise specified; for test circuit see Fig. 14.

Symbol	Parameter	Conditions	25 °C			-40 °C to +85 °C		Unit
			Min	Typ	Max	Min	Max	
t_{pd}	propagation delay	CP to Qn; see Fig. 9[1]						
		$V_{CC} = 2.0$ V	-	61	190	-	240	ns
		$V_{CC} = 4.5$ V	-	22	38	-	48	ns
		$V_{CC} = 5.0$ V; $C_L = 15$ pF	-	19	-	-	-	ns
		$V_{CC} = 6.0$ V	-	18	32	-	41	ns
		CP to TC; see Fig. 9						
		$V_{CC} = 2.0$ V	-	69	215	-	270	ns
		$V_{CC} = 4.5$ V	-	25	43	-	54	ns
		$V_{CC} = 5.0$ V; $C_L = 15$ pF	-	21	-	-	-	ns
		$V_{CC} = 6.0$ V	-	20	37	-	46	ns
		CET to TC; see Fig. 10						
		$V_{CC} = 2.0$ V	-	33	150	-	190	ns
		$V_{CC} = 4.5$ V	-	12	30	-	38	ns
		$V_{CC} = 5.0$ V; $C_L = 15$ pF	-	10	-	-	-	ns
$V_{CC} = 6.0$ V	-	10	26	-	38	ns		
t_{PHL}	HIGH to LOW propagation delay	\overline{MR} to Qn; see Fig. 11						
		$V_{CC} = 2.0$ V	-	63	210	-	265	ns
		$V_{CC} = 4.5$ V	-	23	42	-	53	ns
		$V_{CC} = 5.0$ V; $C_L = 15$ pF	-	20	-	-	-	ns
		$V_{CC} = 6.0$ V	-	18	36	-	45	ns
		\overline{MR} to TC; see Fig. 11						
		$V_{CC} = 2.0$ V	-	63	220	-	275	ns
		$V_{CC} = 4.5$ V	-	23	44	-	55	ns
		$V_{CC} = 5.0$ V; $C_L = 15$ pF	-	20	-	-	-	ns
		$V_{CC} = 6.0$ V	-	18	37	-	47	ns
t_t	transition time	see Fig. 9 and Fig. 10 [2]						
		$V_{CC} = 2.0$ V	-	19	75	-	95	ns
		$V_{CC} = 4.5$ V	-	7	15	-	19	ns
		$V_{CC} = 6.0$ V	-	6	13	-	16	ns
t_w	pulse width	CP; HIGH or LOW; see Fig. 9						
		$V_{CC} = 2.0$ V	80	22	-	100	-	ns
		$V_{CC} = 4.5$ V	16	8	-	20	-	ns
		$V_{CC} = 6.0$ V	14	6	-	17	-	ns
		\overline{MR} ; LOW; see Fig. 11						
		$V_{CC} = 2.0$ V	80	19	-	100	-	ns
		$V_{CC} = 4.5$ V	16	7	-	20	-	ns
$V_{CC} = 6.0$ V	14	6	-	17	-	ns		

Symbol	Parameter	Conditions	25 °C			-40 °C to +85 °C		Unit
			Min	Typ	Max	Min	Max	
trec	recovery time	MR to CP; see Fig. 11						
		V _{CC} = 2.0 V	100	19	-	125	-	ns
		V _{CC} = 4.5 V	20	7	-	25	-	ns
		V _{CC} = 6.0 V	17	6	-	21	-	ns
tsu	set-up time	Dn to CP; see Fig. 12						
		V _{CC} = 2.0 V	80	25	-	100	-	ns
		V _{CC} = 4.5 V	16	9	-	20	-	ns
		V _{CC} = 6.0 V	14	7	-	17	-	ns
		PE to CP; see Fig. 12						
		V _{CC} = 2.0 V	100	30	-	125	-	ns
		V _{CC} = 4.5 V	20	11	-	25	-	ns
		V _{CC} = 6.0 V	17	9	-	21	-	ns
		CEP, CET to CP; see Fig. 13						
		V _{CC} = 2.0 V	170	47	-	215	-	ns
		V _{CC} = 4.5 V	34	17	-	43	-	ns
		V _{CC} = 6.0 V	29	14	-	37	-	ns
th	hold time	Dn, PE, CEP, CET to CP; see Fig. 12 and Fig. 13						
		V _{CC} = 2.0 V	0	-14	-	0	-	ns
		V _{CC} = 4.5 V	0	-5	-	0	-	ns
		V _{CC} = 6.0 V	0	-4	-	0	-	ns
fmax	maximum frequency	CP; see Fig. 9						
		V _{CC} = 2.0 V	4.6	13	-	3.6	-	MHz
		V _{CC} = 4.5 V	23	40	-	18	-	MHz
		V _{CC} = 5.0 V; CL = 15 pF	-	44	-	-	-	MHz
		V _{CC} = 6.0 V	27	48	-	21	-	MHz
CPD	power dissipation capacitance	V _I = GND to V _{CC} ; V _{CC} = 5 V; [3] fi = 1 MHz	-	33	-	-	-	pF

- t_{pd} is the same as t_{PHL} and t_{PLH}.
- tt is the same as t_{THL} and t_{TLH}.
- C_{PD} is used to determine the dynamic power dissipation (P_D in μW):
- P_D = C_{PD} × V_{CC}² × fi × N + ∑(C_L × V_{CC}² × fo) where:
- fi = input frequency in MHz;
- fo = output frequency in MHz;
- C_L = output load capacitance in pF;
- V_{CC} = supply voltage in V;
- N = number of inputs switching;
- ∑(C_L × V_{CC}² × fo) = sum of outputs.

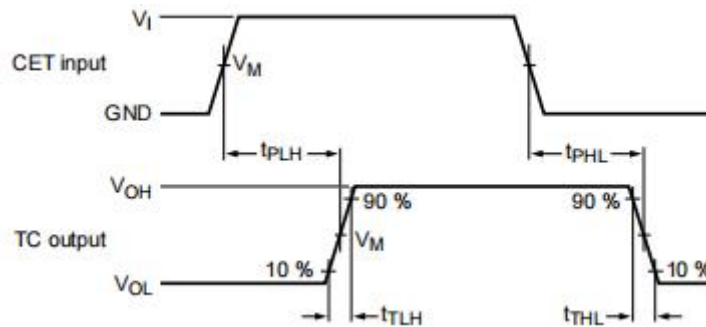
SWITCHING WAVEFORMS



Measurement points are given in **Table 8**.

Logic levels V_{OL} and V_{OH} are typical output voltage levels that occur with the output load.

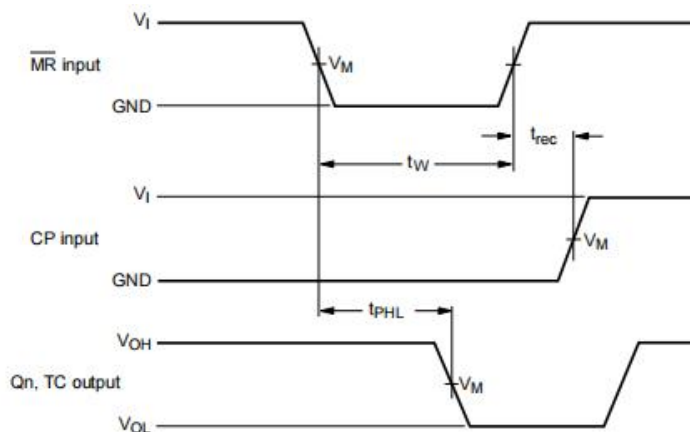
Fig. 9. The clock (CP) to outputs (Qn, TC) propagation delays, pulse width, output transition times and maximum frequency



Measurement points are given in Table 8.

Logic levels V_{OL} and V_{OH} are typical output voltage levels that occur with the output load.

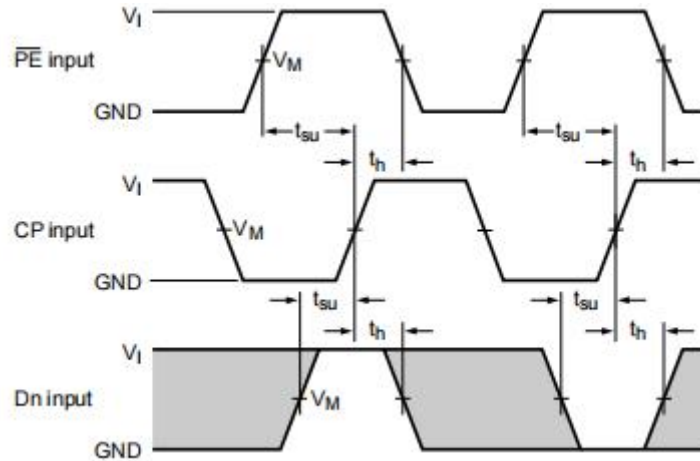
Fig. 10. The count enable carry input (CET) to terminal count output (TC) propagation delays and output transition times



Measurement points are given in Table 8.

Logic levels V_{OL} and V_{OH} are typical output voltage levels that occur with the output load.

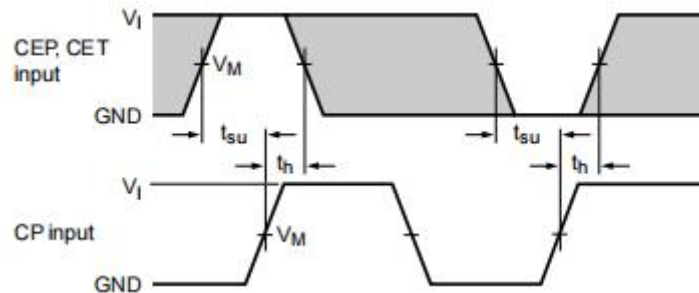
Fig. 11. The master reset (MR) pulse width, master reset to output (Qn, TC) propagation delays, and the master reset to clock (CP) recovery times



Measurement points are given in Table 8.

The shaded areas indicate when the input is permitted to change for predictable output performance.

Fig. 12. The data input (Dn) and parallel enable input (\overline{PE}) set-up and hold times



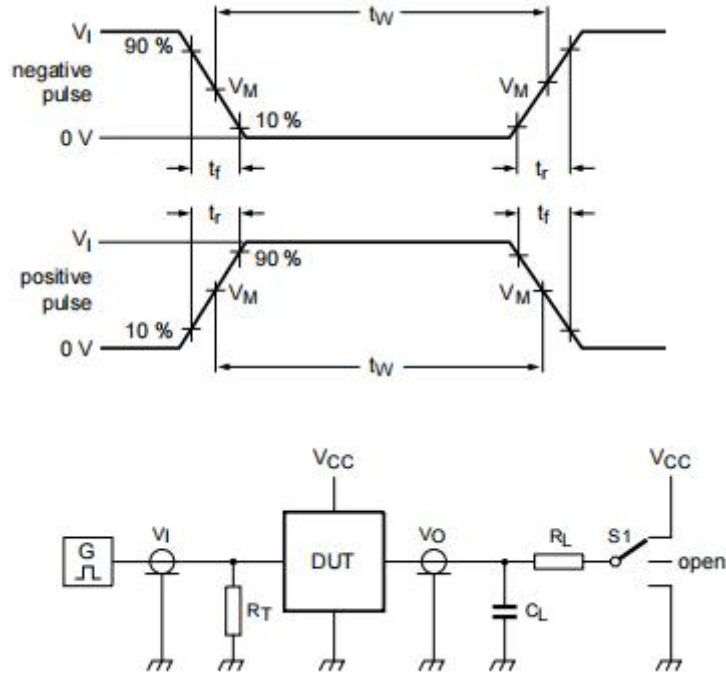
Measurement points are given in Table 8.

The shaded areas indicate when the input is permitted to change for predictable output performance.

Fig. 13. The count enable input (CEP) and count enable carry input (CET) set-up and hold times

Measurement points

Input		Output
VM	VI	VM
$0.5 \times V_{CC}$	GND to V_{CC}	$0.5 \times V_{CC}$



Test data is given in Table 9.

Test circuit definitions:

R_T = Termination resistance should be equal to output impedance Z_o of the pulse generator

C_L = Load capacitance including jig and probe capacitance

R_L = Load resistance.

S1 = Test selection switch

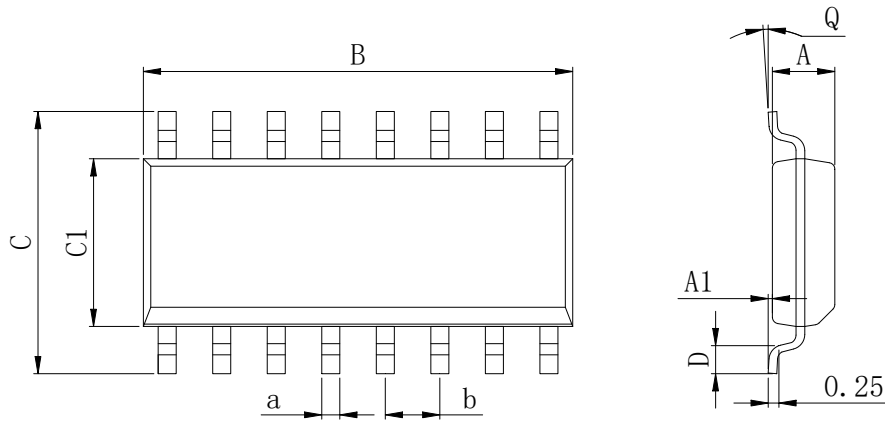
Fig. 14. Test circuit for measuring switching times

Test data

Input		Load		S1 position
V_i	t_r, t_f	C_L	R_L	t_{PHL}, t_{PLH}
V_{CC}	6 ns	15 pF, 50 pF	1 k Ω	open

Physical Dimensions

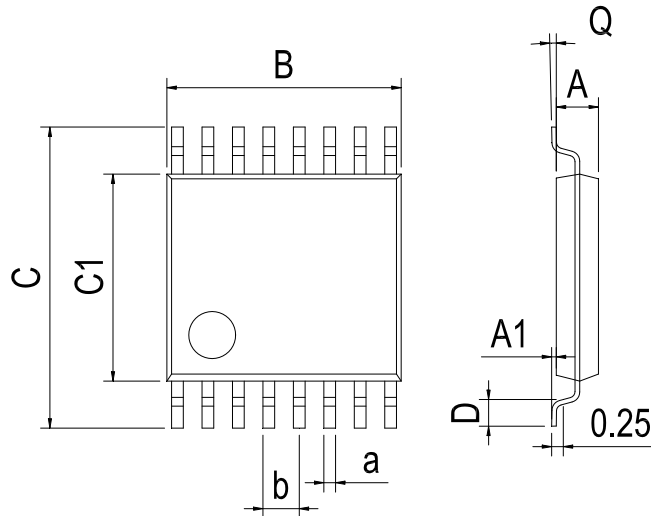
SOP16



Dimensions In Millimeters(SOP16)

Symbol:	A	A1	B	C	C1	D	Q	a	b
Min:	1.35	0.05	9.80	5.80	3.80	0.40	0°	0.35	1.27 BSC
Max:	1.55	0.20	10.0	6.20	4.00	0.80	8°	0.45	

TSSOP16

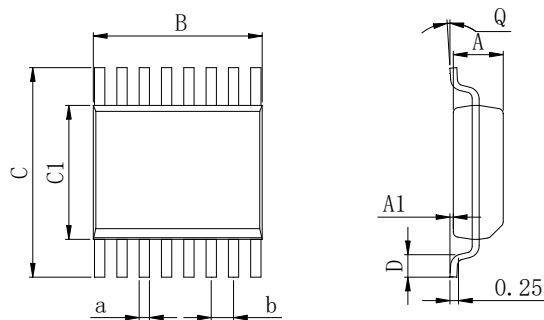


Dimensions In Millimeters(TSSOP16)

Symbol:	A	A1	B	C	C1	D	Q	a	b
Min:	0.85	0.05	4.90	6.20	4.30	0.40	0°	0.20	0.65 BSC
Max:	0.95	0.20	5.10	6.60	4.50	0.80	8°	0.25	

Physical Dimensions

SSOP16



Dimensions In Millimeters(SSOP16)									
Symbol:	A	A1	B	C	C1	D	Q	a	b
Min:	1.35	0.05	4.90	5.80	3.80	0.40	0°	0.20	0.65 BSC
Max:	1.55	0.20	5.10	6.20	4.00	0.80	8°	0.25	

IMPORTANT STATEMENT:

Huaguan Semiconductor reserves the right to change its products and services without notice. Before ordering, the customer shall obtain the latest relevant information and verify whether the information is up to date and complete. Huaguan Semiconductor does not assume any responsibility or obligation for the altered documents.

Customers are responsible for complying with safety standards and taking safety measures when using Huaguan Semiconductor products for system design and machine manufacturing. You will bear all the following responsibilities: select the appropriate Huaguan Semiconductor products for your application; Design, validate and test your application; Ensure that your application meets the appropriate standards and any other safety, security or other requirements. To avoid the occurrence of potential risks that may lead to personal injury or property loss.

Huaguan Semiconductor products have not been approved for applications in life support, military, aerospace and other fields, and Huaguan Semiconductor will not bear the consequences caused by the application of products in these fields.

The technical and reliability data (including data sheets), design resources (including reference designs), application or other design suggestions, network tools, safety information and other resources provided for the performance of semiconductor products produced by Huaguan Semiconductor are not guaranteed to be free from defects and no warranty, express or implied, is made. The use of testing and other quality control technologies is limited to the quality assurance scope of Huaguan Semiconductor. Not all parameters of each device need to be tested.

The documentation of Huaguan Semiconductor authorizes you to use these resources only for developing the application of the product described in this document. You have no right to use any other Huaguan Semiconductor intellectual property rights or any third party intellectual property rights. It is strictly forbidden to make other copies or displays of these resources. You should fully compensate Huaguan Semiconductor and its agents for any claims, damages, costs, losses and debts caused by the use of these resources. Huaguan Semiconductor accepts no liability for any loss or damage caused by infringement.

X-ON Electronics

Largest Supplier of Electrical and Electronic Components

Click to view similar products for [Counter ICs](#) category:

Click to view products by [HGSEMI](#) manufacturer:

Other Similar products are found below :

[CD4018BE](#) [CD4033BE](#) [CD4060BE](#) [CD4040BE](#) [NLV14040BDR2G](#) [RFDIP1607ALM9T21](#) [RFDIP1606L708D1T](#) [RFDIP2506BLM1T90](#)
[RFTIP2510T12A8Q1C](#) [74HC161DT](#) [74HC161M/TR](#) [CD4028BM/TR](#) [74VHC393FT\(BJ\)](#) [74VHC161FT\(BJ\)](#) [74VHC163FT\(BJ\)](#)
[74HC4040D.653](#) [74HC4060D.653](#) [74HCT4040D.653](#) [HEF4060BT.653](#) [74HCT193PW,118](#) [74HC393BQ-Q100X](#) [74HC4060D-Q100,118](#)
[SN74ALS169BDR](#) [HEF4060BT-Q100J](#) [74HC4017BQ-Q100X](#) [74HC163PW.112](#) [74HC191PW.112](#) [74HC393DB.118](#) [74HCT193DB.112](#)
[74HCT390DB.112](#) [74VHC595FT\(BJ\)](#) [74HC193PW.112](#) [74HC4020DB.112](#) [74HC4020PW.112](#) [74HC4040DB.112](#) [74HC4060DB.112](#)
[74HCT193D,653](#) [74HCT393DB.112](#) [74LV4060D.112](#) [74LV4060DB.112](#) [74LV4060PW.112](#) [74LV393PW,118](#) [74LVC161PW.112](#)
[74VHC163FT](#) [74VHC165FT\(BJ\)](#) [XD74LS90](#) [XD74LS93](#) [XD74LS161](#) [XD74LS192](#) [XD74LS193](#)