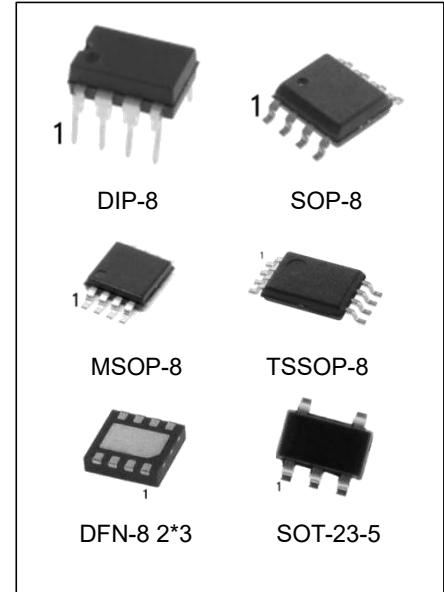


4-Kbit I²C-compatible Serial EEPROM

Features

- Supply Voltage Range: 1.7V to 5.5V
- 2-wire Serial Interface I²C Compatible
 - 400 kHz and High Speed 1MHz Transfer Rate Compatibility
- Byte and Page (up to 16 Bytes) Write Mode
 - Partial Page Write Allowed
- Self-timed Write Cycle (3ms Maximum)
- Additional 16-byte Write Lockable Page and 128-bit Unique ID
- Hardware and Software Write Protection on the Whole Memory Array
- Schmitt Trigger, Filtered Inputs for Noise Suppression
- High Reliability
 - Endurance: 2,000,000 Write Cycles
 - Data Retention: 200 Years
 - ESD Protection (Human Body Model): 6000V
- Low Operating Current
 - Write Current: 1mA (Maximum)
 - Read Current: 0.5mA (Maximum)
 - Standby Current: 1μA (Maximum)
- Operating Temperature Range: -40°C to +105°C
- Green Packaging Options (Pb/Halide-free/RoHS Compliant)
 - DFN-8, MSOP-8, TSSOP-8, SOP-8, DIP-8, SOT23-5



Ordering Information

DEVICE	Package Type	MARKING	Packing	Packing Qty
AT24C04CN	DIP-8	24C04C	TUBE	2000pcs/box
AT24C04CM/TR	SOP-8	24C04C	REEL	2500pcs/reel
AT24C04CMT/TR	TSSOP-8	24C04C	REEL	2500pcs/reel
AT24C04CMM/TR	MSOP-8	C04C	REEL	3000pcs/reel
AT24C04CDQ/TR	DFN8 2*3	C04C	REEL	2500pcs/reel
AT24C04CM5/TR	SOT-23-5	4CMU	REEL	3000pcs/reel

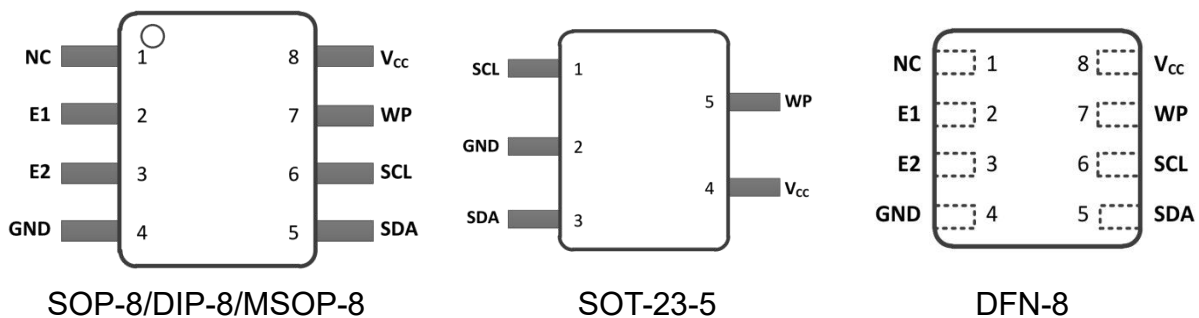
Description

The AT24C04C is a 4-Kbit I²C-compatible Serial EEPROM device. The device is designed to operate in a supply voltage range of 1.7V to 5.5V, with a maximum of 1MHz transfer rate, over an operating temperature range of -40°C to +105°C. The device incorporates a Write Protection pin used for hardware Write Protection on the whole memory array. The device also offers a Software Write Protection feature for users to write protect the whole memory array.

The memory array is organized as 32 pages of 16 bytes each, totaling 512*8 bits. The device offers an additional 16-byte Identification Page for users to store sensitive application parameters. This page can be permanently locked in Read-only mode after the data is written into the Identification Page. The device also offers a separate memory block (in Read-only mode) containing a factory programmed 128-bit Unique ID and can be accessed to by sending a specific Read command.

The AT24C04C is delivered in Lead-free green packages: DFN-8, MSOP-8, SOP-8, DIP-8 and SOT23-5.

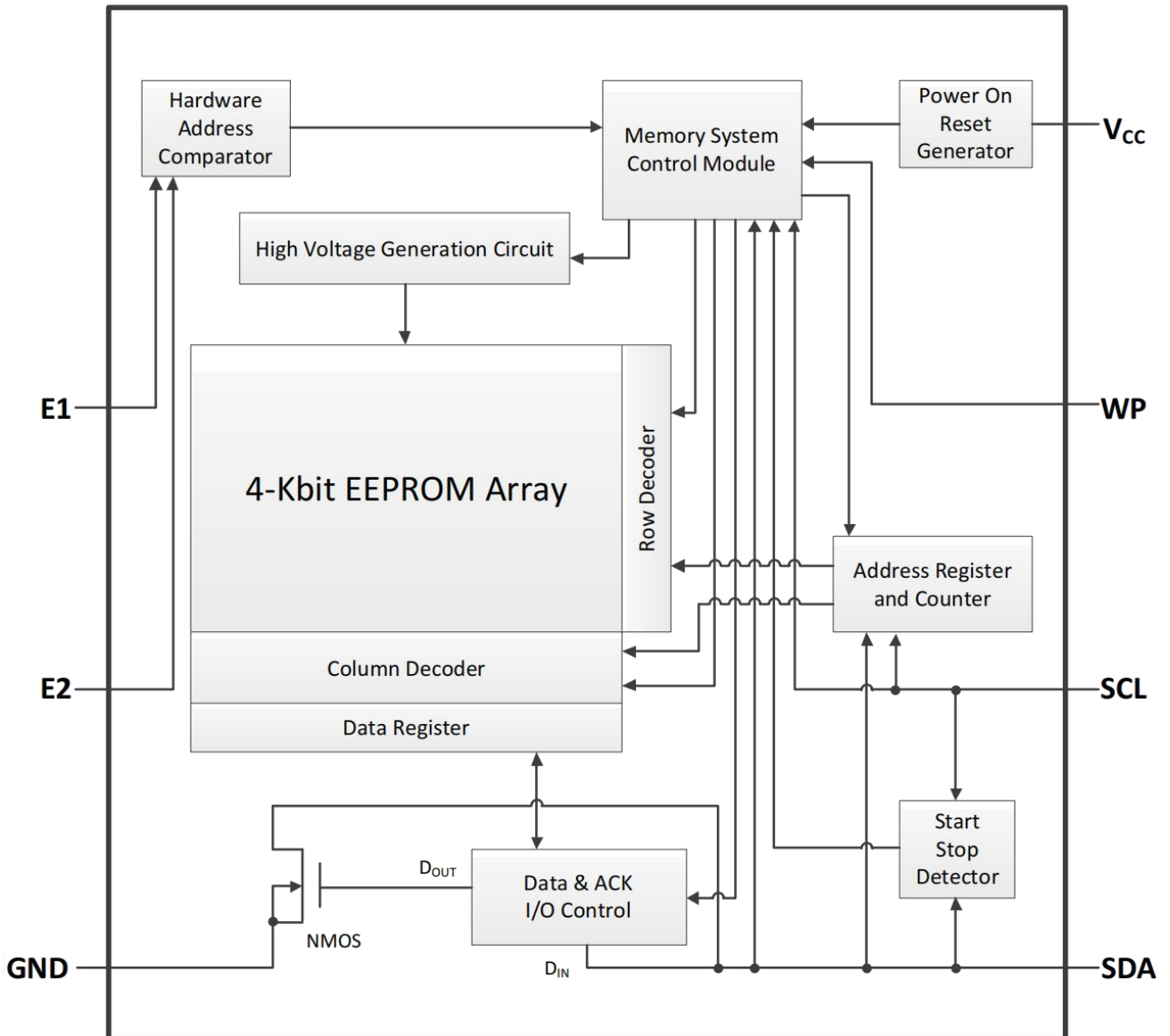
Pin Configuration



Pin Descriptions

Symbol	Type	Name and Function
E1 E2	Input	Device Address Inputs: The E1 and E2 pins are device address inputs for compatibility with other 2-wire Serial EEPROM devices. These pins can be directly connected to V _{CC} or GND in any combination. If these pins are left floating, the E1 and E2 pins will be internally pulled down to GND.
SDA	Input/Output	Serial Data: The SDA pin is an open-drain bidirectional input/output pin used to serially transfer data to and from the device.
SCL	Input	Serial Clock: The SCL pin is used to provide a clock to the device and is used to control the flow of data to and from the device. Command and input data present on the SDA pin is always latched in on the rising edge of SCL, while output data on the SDA pin is always clocked out on the falling edge of SCL.
V _{CC}	Power	Device Power Supply: The V _{CC} pin is used to supply the source voltage to the device. Operations at invalid V _{CC} voltages may produce spurious results and should not be attempted.
GND	Power	Ground: The ground reference for the power supply. GND should be connected to the system ground.
WP	Input	Write Protection: The WP pin is used to write protect the entire contents of the memory. When the WP pin is connected to Power Supply, the entire memory array becomes Write-protected, that is, the device becomes Read-only. When the WP pin is connected to GND, Write operations are enabled. If the pin is left floating, the WP pin will be internally pulled down to GND. When the WP pin is driven high, the device address byte and the word address bytes are acknowledged, data bytes are not acknowledged.

Functional Block Diagram



Device Communication

The AT24C04C operates as a Slave and utilizes a 2-wire serial interface to communicate with the Master. The Master initiates and controls all Read and Write operations to the slave devices on the serial bus, and both the Master and the slave devices can transmit and receive data on the bus.

The serial interface is comprised of just two signal lines: the Serial Clock (SCL) and the Serial Data (SDA). Data is always latched into the AT24C04C on the rising edge of SCL and is always output from the device on the falling edge of SCL. Both the SCL pin and SDA pin incorporate integrated spike suppression filters and Schmitt Triggers to minimize the effects of input spikes and bus noise.

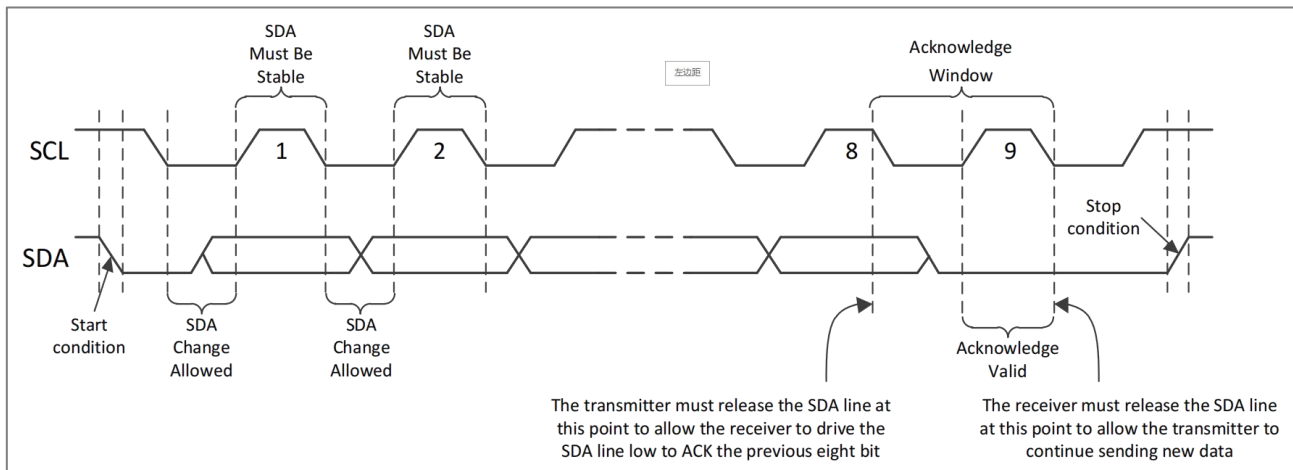
All command and data information is transferred with the Most Significant Bit (MSB) first. During the bus communication, one data bit is transmitted every clock cycle, and after eight bits of data has been transferred, the receiving device must respond with an acknowledge or a no-acknowledge response bit during a ninth clock cycle generated by the Master. Therefore, nine clock cycles are required for every one byte of data transferred. There is no unused clock cycle during any Read or Write operation, so there must not be any interruptions or breaks during the data stream.

During data transfers, data on the SDA pin must only change while SCL is low, and the data must remain stable while SCL is high. If data on the SDA pin changes while SCL is high, then either a Start or a Stop condition will occur. The number of data bytes transferred between a Start and a Stop condition is not limited and is determined by the Master.

Start Condition

A Start condition occurs when there is a high-to-low transition on the SDA pin while the SCL pin is stable in Logic 1 state. The Start condition must precede any command as the Master uses a Start condition to initiate any data transfer sequence (see **Figure 1**). The AT24C04C will continuously monitor the SDA and SCL pins for a Start condition, and the device will not respond unless one is given.

Figure 1 Start, Stop, and ACK



Stop Condition

A Stop condition occurs when there is a low-to-high transition on the SDA pin while the SCL pin is stable in Logic 1 state (see **Figure 1**). A stop condition terminates communication between the device and the Master. A Stop condition at the end of a Write command triggers the EEPROM internal write cycle. Otherwise, the device subsequently returns to Standby mode after receiving a Stop condition.

Acknowledge (ACK)

After each byte of data is received, the AT24C04C should acknowledge to the Master that it has received the data byte successfully. This is accomplished by the Master first releasing the SDA line and providing the ACK/NACK clock cycle (a ninth clock cycle for every byte). During the ACK/NACK clock cycle, the device must output Logic 0 as ACK for the entire clock cycle so that the SDA line must be stable in Logic 0 state during the entire high period of the clock cycle (see **Figure 1**).

Standby Mode

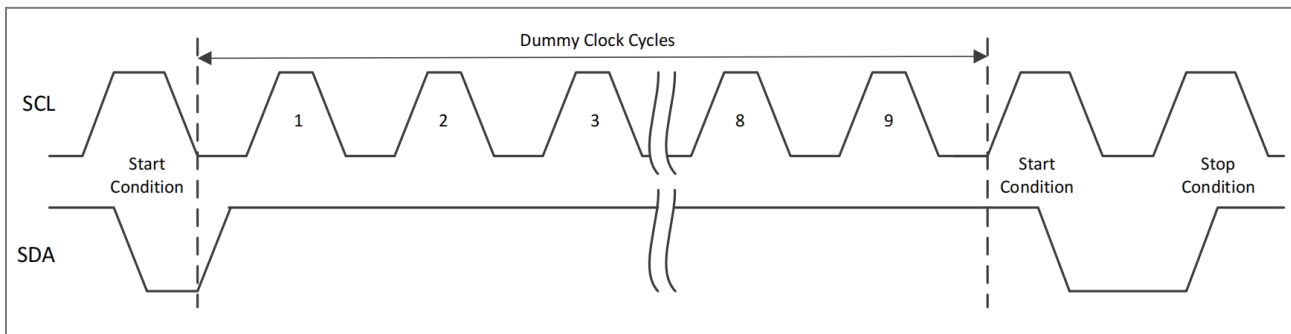
The AT24C04C features a low-power Standby mode which is enabled:

- (1) Upon power-up;
- (2) After the receipt of a Stop condition in Read operation;
- (3) The completion of any internal operations.

Software Reset

After an interruption in protocol, power loss, or system reset, any 2-wire part can be reset by following these steps: (1) Create a Start condition; (2) Clock nine cycles; (3) Create another Start condition followed by a Stop condition (see **Figure 2**).

Figure 2 2-wire Software Reset

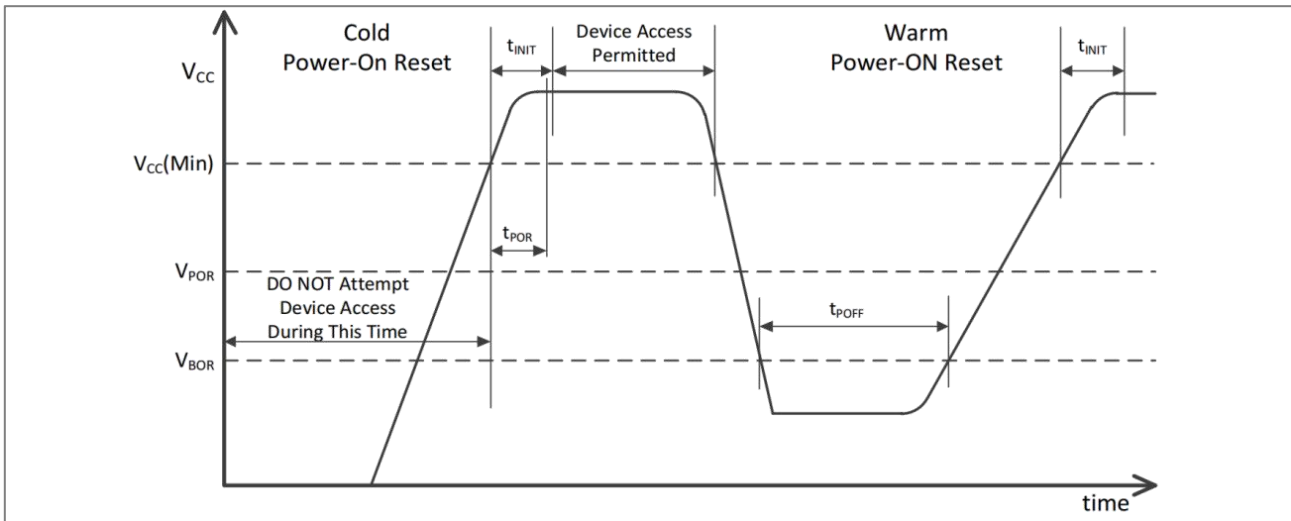


Device Reset and Initialization

The AT24C04C incorporates a Power-On Reset (POR) circuit to prevent inadvertent operations during power-up. On a cold power-up, the device does not respond to any instructions until the supply voltage reaches the internal power-on reset threshold voltage (V_{POR}). The supply voltage must rise continuously between V_{POR} and $V_{CC}(\text{Min})$ without any ring back to ensure a proper power-up. Once the supply voltage passes V_{POR} , the device is reset and enters Standby mode. However, no protocol should be issued to the device until a valid and stable supply voltage is applied for the time specified by the t_{INIT} parameter. The supply voltage must remain stable and valid until the end of the protocol transmission, and for a Write instruction, until the end of the internal write cycle (see **Figure 3**).

This POR behavior is bi-directional. It protects the AT24C04C against brown-out failure caused by a temporary loss of power. In a similar way, as soon as the supply voltage drops below the internal brown-out reset threshold voltage (V_{BOR}), the device is reset and stops responding to any instructions (see **Figure 3**). The V_{BOR} level is set below the V_{POR} level.

Parameters related to power-up and power-down conditions are listed in **Table 1**

Figure 3 Power-up and Power-down Timing

Table 1 Power-up and Power-down Conditions

Symbol	Parameter	Min	Max	Units
t _{POR}	Power-On Reset Time	-	10.0	ms
V _{POR}	Power-On Reset Voltage	-	1.5	V
V _{BOR}	Brown-out Reset Voltage	0.8	-	V
t _{INIT}	Time from Power-On to First Command	10.0	-	ms
t _{POFF}	Warm Power Cycle Off Time	1.0	-	ms

Data Security

The AT24C04C incorporates a hardware data protection feature that allows the user to write protect the whole memory array (and Identification Page) when the WP pin is connected directly to V_{CC}.

The AT24C04C also offers a Software Write Protection (SWP) feature that allows the user to write protect the whole memory array (and Identification Page) when the internal non-volatile SWP bit is set to Logic 1.

Device Addressing

The AT24C04C requires a 7-bit device address and a Read/Write select bit following a Start condition from the Master to initiate communication with the Serial EEPROM. The device address byte is comprised of a 4-bit device type identifier followed by three device address bits (E2, E1, E0) and a R/W select bit, and is clocked by the Master on the SDA pin with the most significant bit (MSB, bit 7) first.

The device will respond to two unique device type identifiers. The device type identifier of '1010' is necessary to select the device memory for normal Read or Write operation. The device type identifier of '1011' is used (1) to select the Identification Page for Read or Write/Lock operation; (2) to select the Software Write Protection bit for Read or Write operation; (3) for Read Unique ID (see **Table 2**).

The software device address bits (E2, E1) must match their corresponding hard-wired device address inputs (E2, E1). The eighth bit of the address byte is the R/W operation selection bit. A Read operation is selected if this bit is Logic 1, and a Write operation is selected if this bit is Logic 0. Upon a compare of the device address byte, the AT24C04C outputs an ACK or a NACK during the ninth clock cycle if the compare is true or not true, respectively. The device will return to the low-power Standby mode after a NACK.

Table 2 AT24C04C Device Address Byte

Function	Device Type Identifier				Device Address			Read/Write
	bit 7	bit 6	bit 5	bit 4	bit 3	bit 2	bit 1	bit 0
When accessing the 4-Kbit memory array	1	0	1	0	E2	E1	A8 ^[1]	R/W
When accessing the Identification Page	1	0	1	1	E2	E1	X ^[2]	R/W
When accessing the Lock Identification Page bit	1	0	1	1	E2	E1	X	0
When accessing the Software Write Protection bit	1	0	1	1	E2	E1	X	R/W
When accessing the Unique ID	1	0	1	1	E2	E1	X	1

Notes: ^[1] A = Significant address bit.

^[2] X = Bit is Don't Care.

Once the AT24C04C has acknowledged the device address byte, the device waits for the Master to send the word address byte for a certain Read or Write instruction according to **Table 3**. The device should respond to the word address byte with an ACK.

Table 3 AT24C04C Word Address Bits

Function	MSB Word Address Bits			Word Address Byte							
	bit 3 ^[1]	bit 2 ^[1]	bit 1 ^[1]	bit 7	bit 6	bit 5	bit 4	bit 3	bit 2	bit 1	bit 0
Random Read	E2	E1	A8 ^[2]	A7	A6	A5	A4	A3	A2	A1	A0
Byte/Page Write	E2	E1	A8	A7	A6	A5	A4	A3	A2	A1	A0
Read/Write Identification Page	E2	E1	X ^[3]	0	0	X	X	A3	A2	A1	A0
Lock Identification Page	E2	E1	X	0	1	X	X	X	X	X	X
Read Lock Status	E2	E1	X	0	0	X	X	X	X	X	X
Read/Write SWP Bit	E2	E1	X	1	1	X	X	X	X	X	X
Read Unique ID	E2	E1	X	1	0	X	X	A3	A2	A1	A0

Notes: [1] Address bits defined inside the Device Address Byte (see **Table 2**).

[2] A = Significant address bit.

[3] X = Bit is Don't Care.

Read and Write Operations

Write Operations

Byte Write

For a Byte Write operation, the Master sends a Start condition followed by the device type identifier of '1010', the device address bits and the $\overline{R/\overline{W}}$ select bit set to Logic 0. The AT24C04C responds with an ACK during the ninth clock cycle and waits for the Master to send two word address bytes (first word address byte and second word address byte). Then the device responds to each word address byte with an ACK. After receiving ACKs from the AT24C04C, the Master transmits one data byte. If the addressed location has been Write-protected, by the WP pin connected to V_{CC} or the SWP bit set to Logic 1, the device responds with a NACK, and the location is not modified. If the addressed location is not Write-protected, by the WP pin set to GND and the SWP bit set to Logic 0, the device will respond with an ACK (see **Figure 4** and **Figure 5**). The Master ends the Byte Write sequence with a Stop condition during the 10th clock cycle to initiate the internally self-timed write cycle. A Stop condition issued during any other clock cycle during the Write operation will not trigger the internal write cycle.

Once the write cycle begins, the preloaded data word will be programmed in the amount of time not to exceed the t_{WR} specification (see **Figure 8**). During the time, the Master should wait a fixed time by the t_{WR} specification, or for time sensitive applications, an ACK polling routine can be implemented. All inputs are ignored by the device during the write cycle and the device will not respond until the write cycle is completed. The Serial EEPROM will increment its internal address counter each time a byte is written.

Figure 4 Byte Write Operation with Write Protection Pin Set to Low (and SWP bit = 0)

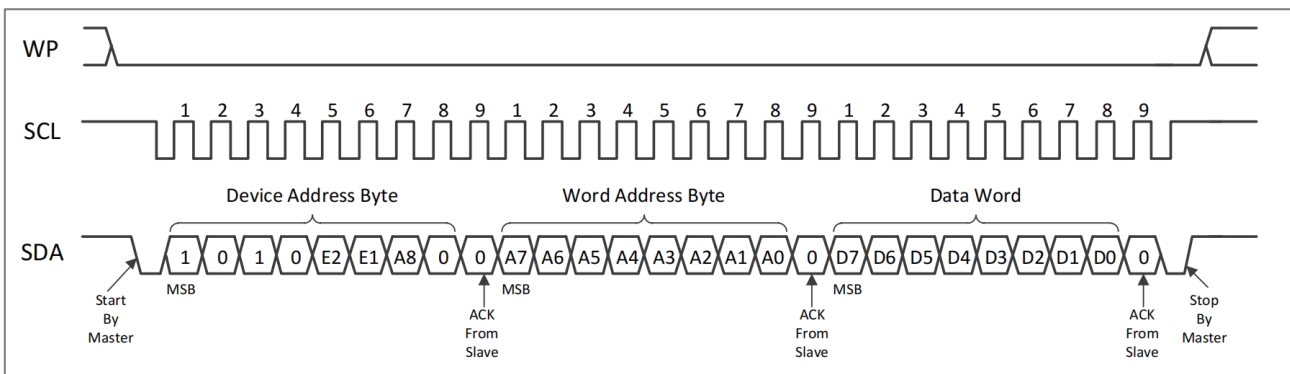
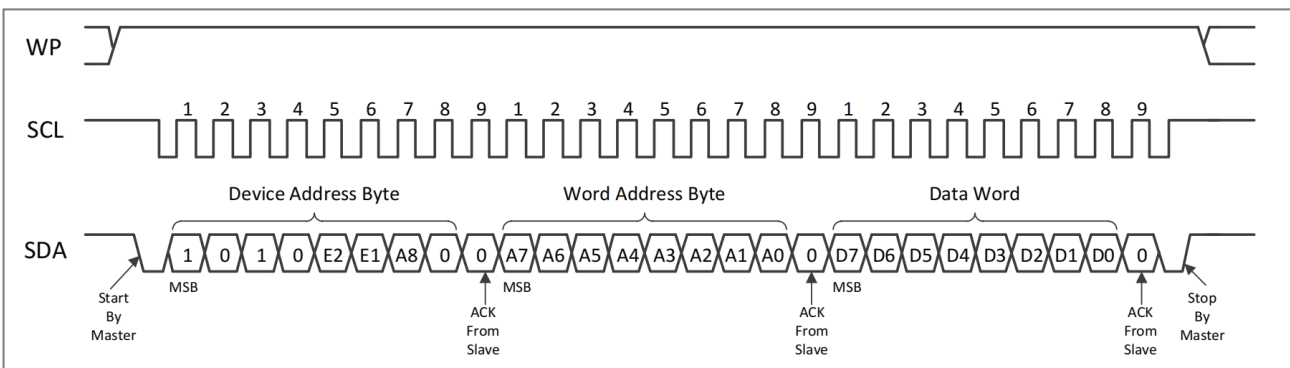


Figure 5 Byte Write Operation with Write Protection Pin Set to High (or SWP bit = 1)



Page Write

The 4-Kbit Serial EEPROM is capable of writing up to 16 data bytes at a time by executing the Page Write sequence. A partial or full Page Write operation is initiated the same as a Byte Write operation except that the Master does not send a Stop condition after the first data word is clocked in. Instead, after the device has acknowledged to the first data word, the Master can transmit up to fifteen more data words. The device responds with an ACK after each data word is received if the WP pin is set to GND and the SWP bit set to Logic 0, while the device is not acknowledged to each data word and the addressed locations are not modified if the WP pin is connected to V_{CC} or the SWP bit set to Logic 1 (see **Figure 6** and **Figure 7**). After the device acknowledges to the last data word, the Master should terminate the Page Write sequence with a Stop condition to start the internal write cycle. A Stop condition issued at any other clock cycle will not initiate the internally self-timed write cycle and the Write sequence will have to be repeated again. Once the write cycle begins, the data words should be programmed in the amount of time not exceeding the t_{WR} specification (see **Figure 8**). During this time, the Master should wait a fixed time by the specified t_{WR} parameter, or for time sensitive applications, an ACK polling routine can be implemented.

The lower four bits of the word address are internally incremented following the receipt of each data word.

The higher word address bits are not incremented, retaining the memory page row location. When the internally generated word address reaches the page boundary, then the following data word is placed at the beginning of the same page. If more than sixteen data words are transmitted to the device, the data word address will roll over and the previous data will be overwritten. The address roll-over during a Write sequence is from the last byte of the current page to the first byte of the same page.

Figure 6 Page Write Operation with Write Protection Pin Set to Low (and SWP bit = 0)

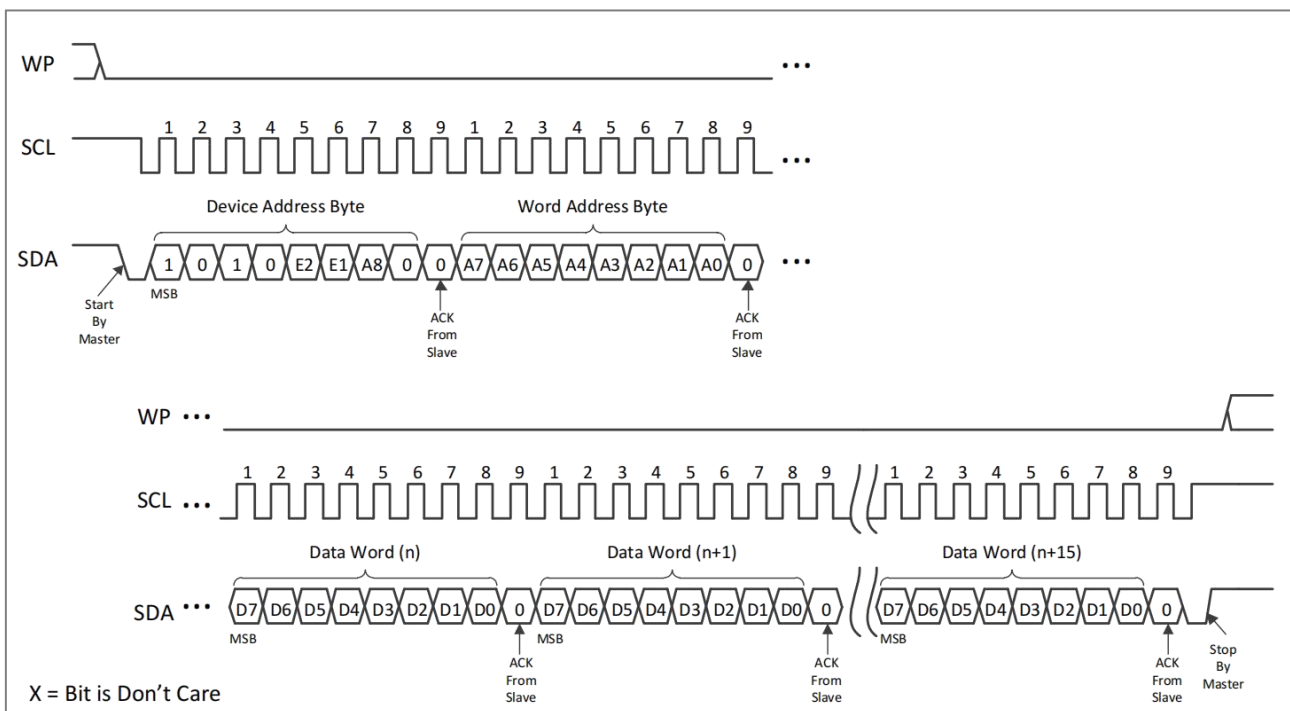
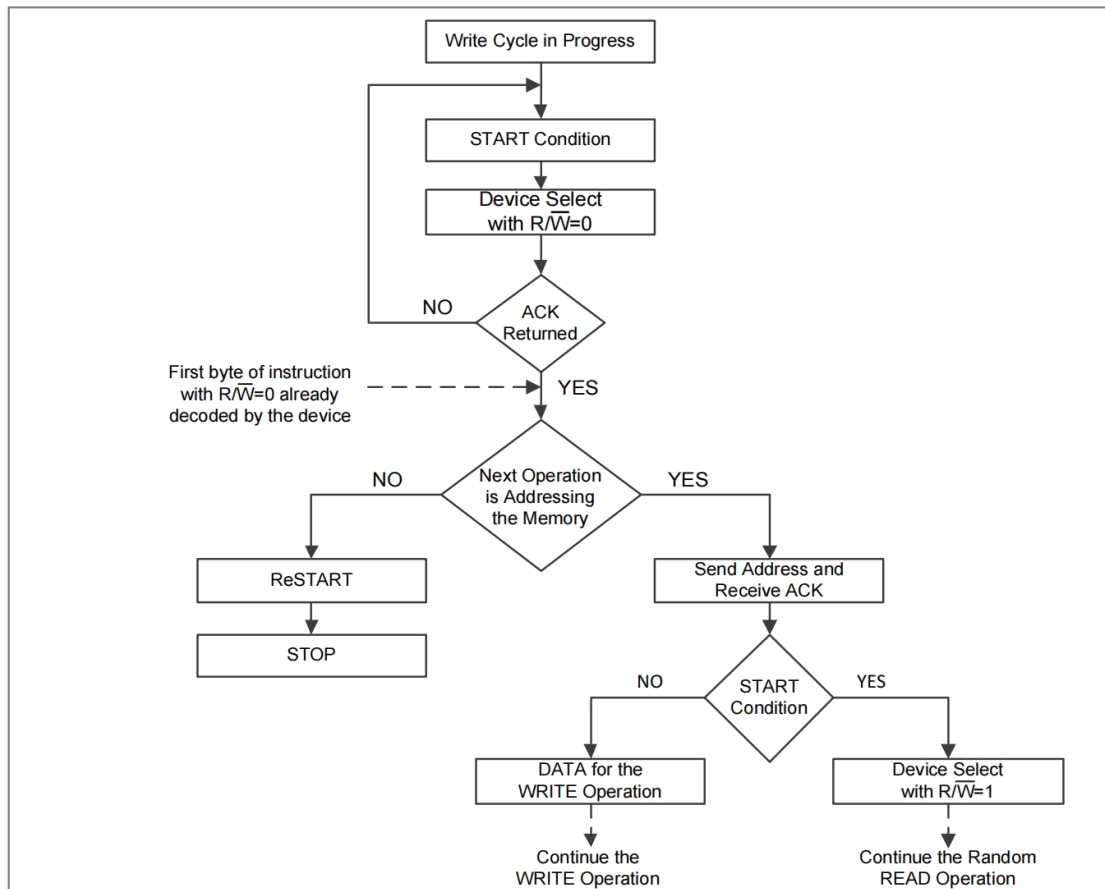


Figure 9 Acknowledge Polling Flow Chart



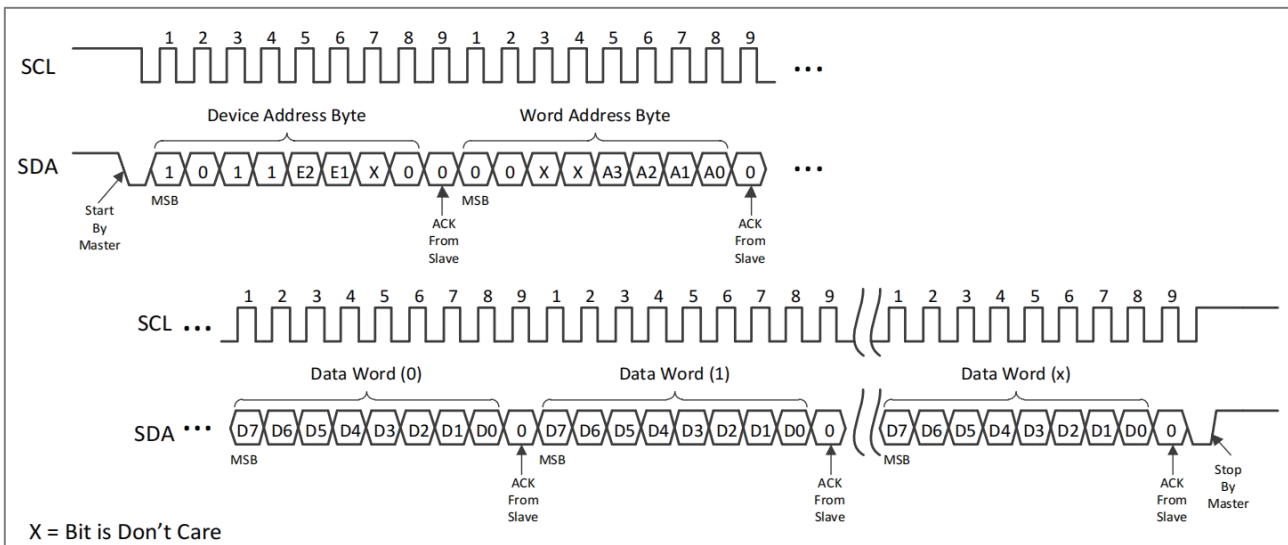
Write Identification Page

The device offers a 16-byte Identification Page (ID Page) in addition to the 4-Kbit memory array for storage of specific application data. This Identification Page can be written and permanently locked in Read-only mode after the data is written into this Page. The Identification Page is written by issuing the Write Identification Page instruction (see **Figure 10**), which is similar to Page Write, except that:

- The device type identifier is defined as '1011';
- The word address bits A7:A6 must be '00', bits A5:A4 are Don't Care;
- The word address bits A3:A0 define the byte locations inside the ID Page (see **Table 3**).

If the Identification Page has been locked, the data bytes transferred during the Write Identification Page instruction will not be acknowledged.

Figure 10 Write Identification Page

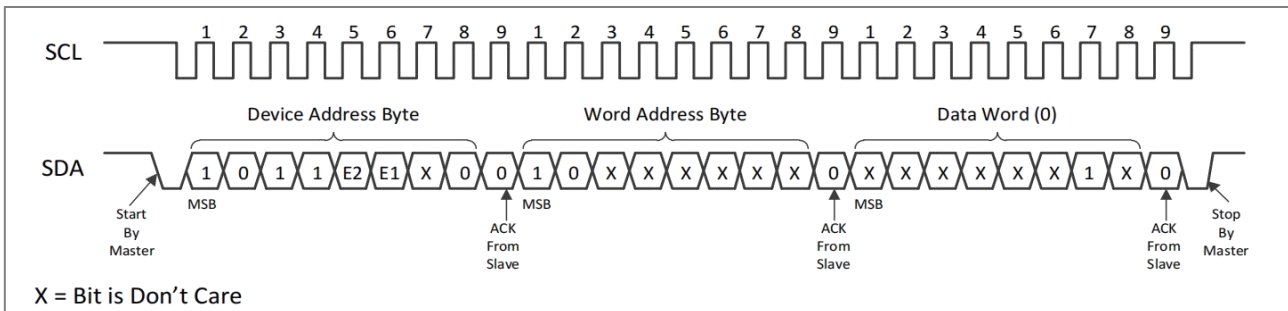


Lock Identification Page

The Lock Identification Page (Lock ID) instruction permanently locks the Identification Page in Read-only mode. The Lock ID instruction is similar to Byte Write, except the following specific conditions:

- The device type identifier is defined as '1011';
- The word address bits A7:A6 must be '10' and other word address bits are Don't Care;
- The data byte must be equal to the binary value xxxx_xx1x, where x is Don't Care (see Figure 11). Once a valid Lock ID instruction has been executed, if another Lock ID instruction is issued, the device will respond with a NACK to the data byte.

Figure 11 Lock Identification Page



Software Write Protection (SWP)

In order to prevent unwanted Write sequence, the AT24C04C offers an internal non-volatile SWP bit, which makes it possible to protect the content in the whole memory array (and Identification Page). Updating the SWP bit to a new value is a reversible action by performing the Write SWP Bit instruction. This instruction is similar to Byte Write, except that:

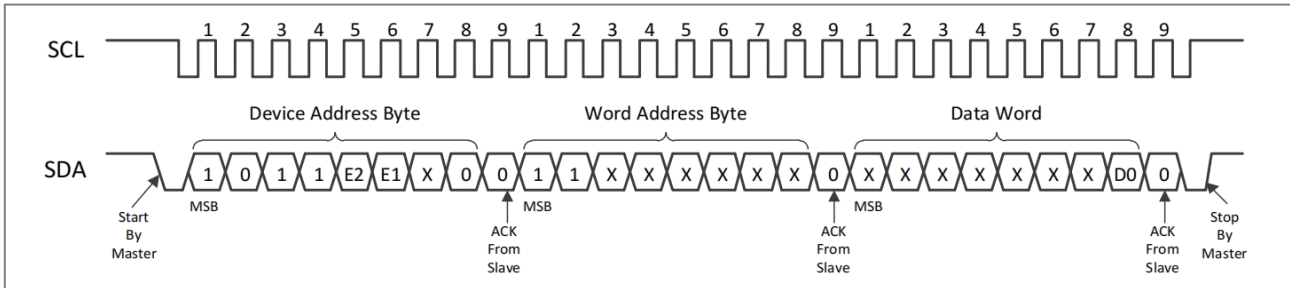
- The device type identifier is defined as '1011';
- The word address bits A7:A6 must be '11' and other word address bits are Don't Care;
- The higher seven bits of the data word byte are Don't Care and bit 0 (D0) configures the SWP bit (see Figure 12).

The SWP bit can be updated from Logic 0 to 1 and from Logic 1 to 0. Write operations are disabled (Read-only) when the SWP bit is set to Logic 1, while Write operations are enabled when the SWP bit is set to Logic 0.

Writing more than one byte will discard the write cycle and the value of SWP bit will not be changed. Note that the device also incorporates a Write Protection pin used for hardware Write Protection. Either connecting the WP pin

directly to V_{CC} or setting the SWP bit to Logic 1 will write protect the whole memory array (and Identification Page). Writing the SWP bit is performed independently of the state of the WP pinconnection. Upon a certain instruction send by the Master, the device will automatically load the lastconfiguration of the SWP bit.

Figure 12 Write SWP Bit



Read Operations

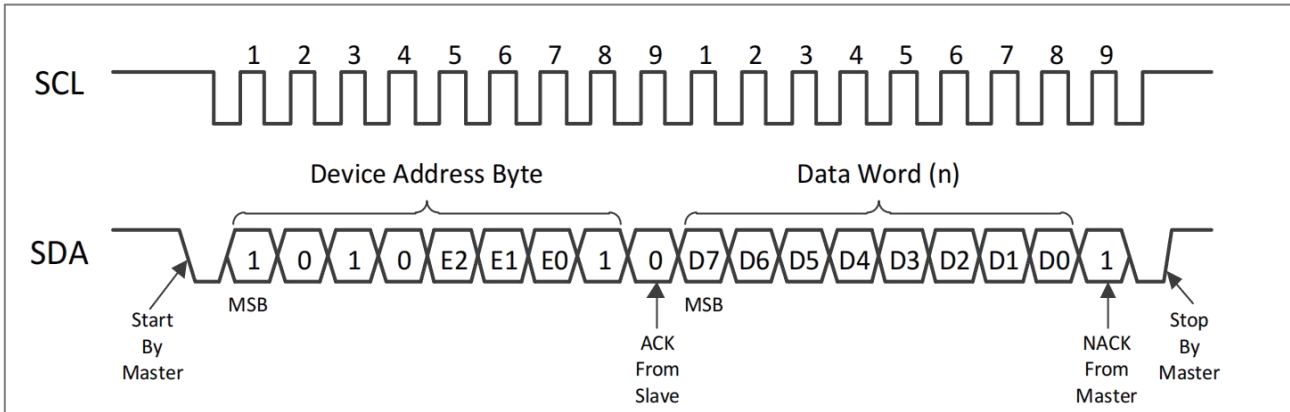
All Read operations are initiated by the Master transmitting a Start condition, a device type identifier of '1010' or '1011', three software device address bits and the R/\bar{W} select bit with Logic 1 state. In the following clock cycle, the AT24C04C should respond with an ACK. The subsequent protocol depends on the type of Read operation desired. There are three Read operations for memory array: Current Address Read, Random Address Read, and Sequential Read with the device type identifier of '1010'; four Read operations for Identification Page, SWP bit and Unique ID: Read Identification Page, Read the Lock Status, Read SWP Bit and Read Unique ID with the device type identifier of '1011'. Read operations are performed independently of the state of the WP pin connection and the value of SWP bit.

Current Address Read

For a Current Address Read operation, the Master sends a Start condition followed by transmitting the device address byte with the R/\bar{W} bit set to Logic 1 (see **Figure 13**). The AT24C04C should respond with an ACK and then serially transmits the data word addressed by the internal address counter. This address maintained by the internal address counter is the last address accessed during the last Read or Write operation. The counter is then incremented by one and the address will stay valid between operations as long as power to the device is supplied. The address roll-over during a Read operation is from the last byte of the last page to the first byte of the first page. To end the command, the Master responds with a NACK followed by a Stop condition.

Note that the internal address counter value is defined by instructions accessing the 4-Kbit memory or the Identification Page or the Unique ID. For example, when accessing the ID Page, the counter value is loaded with the byte location in the ID Page. Therefore the next Current Address Read in the memory uses this new address counter value. When accessing the memory, it is recommended to always use Random Read instruction instead of CurrentAddress Read instruction.

Figure 13 Current Address Read



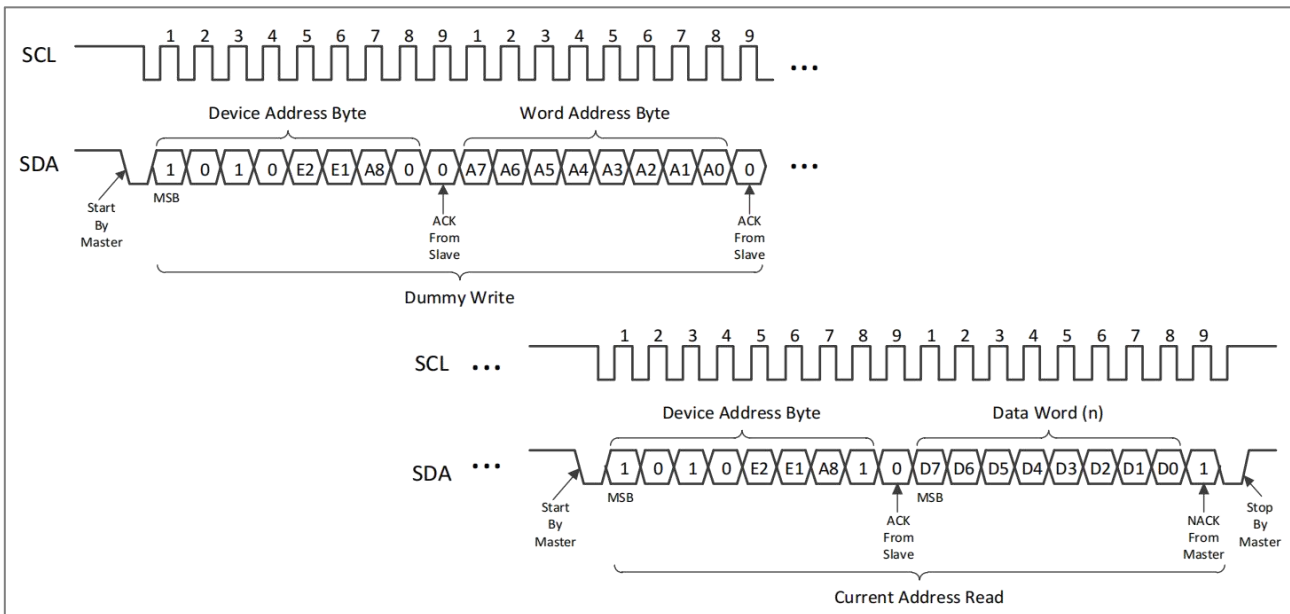
Random Read

A Random Read operation allows the Master to access any memory location in a random manner and requires a dummy write sequence to preload the starting data word address. To perform a Random Read, the device address byte and the word address bytes are transmitted to the AT24C04C as part of the dummy write sequence (see **Figure 14**).

Once the device address byte and word address bytes are

clocked in and acknowledged by the AT24C04C, the Master must generate another Start condition. The Master initiates a Current Address Read by sending another device address byte with the R/W bit set to Logic 1. The AT24C04C responds with an ACK to the device address byte and serially clocks out the first data word and increments its internal address counter. The device will continue to transmit sequential data words as long as the Master continues to acknowledge each data word. To end the sequence, the Master responds with a NACK followed by a Stop condition.

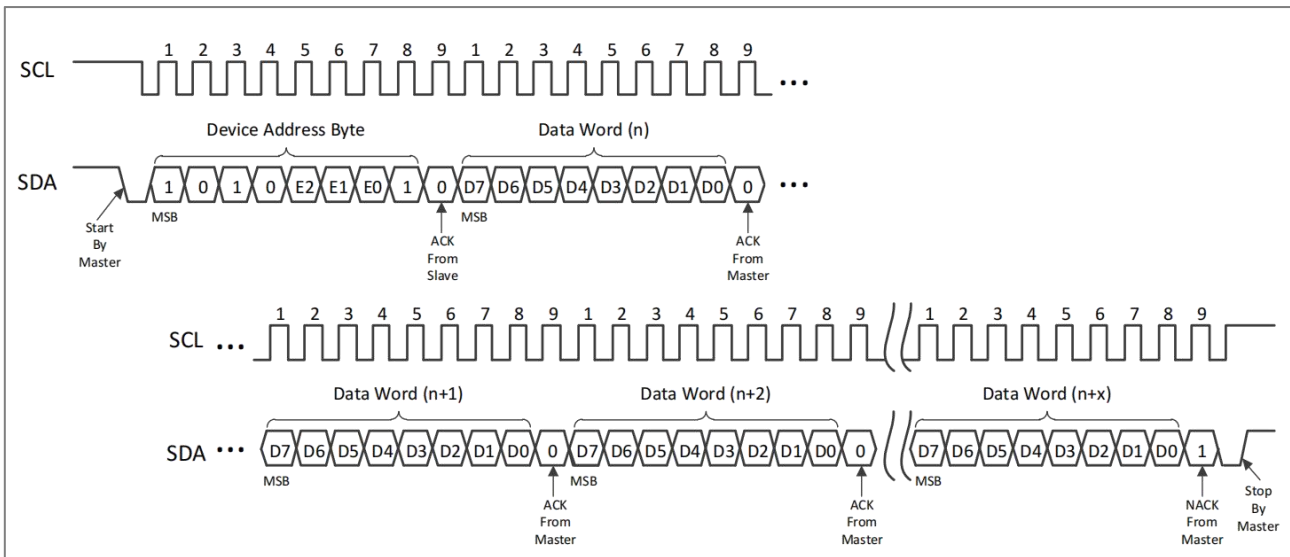
Figure 14 Random Read



Sequential Read

A Sequential Read operation is initiated in the same way as either a Current Address Read or a Random Read, except that after the AT24C04C transmitting the first data word, the Master responds with an ACK instead of a NACK. As long as the AT24C04C receives an ACK, it will continue to increment the data word address and serially clock out the sequential data words (see **Figure 15**). When the internal address counter is at the last byte of the last page, the word address will roll over to the beginning of the memory array and the Sequential Read operation will continue. The Sequential Read operation is terminated by the Master responding with a NACK followed by a Stop condition.

Figure 15 Sequential Read



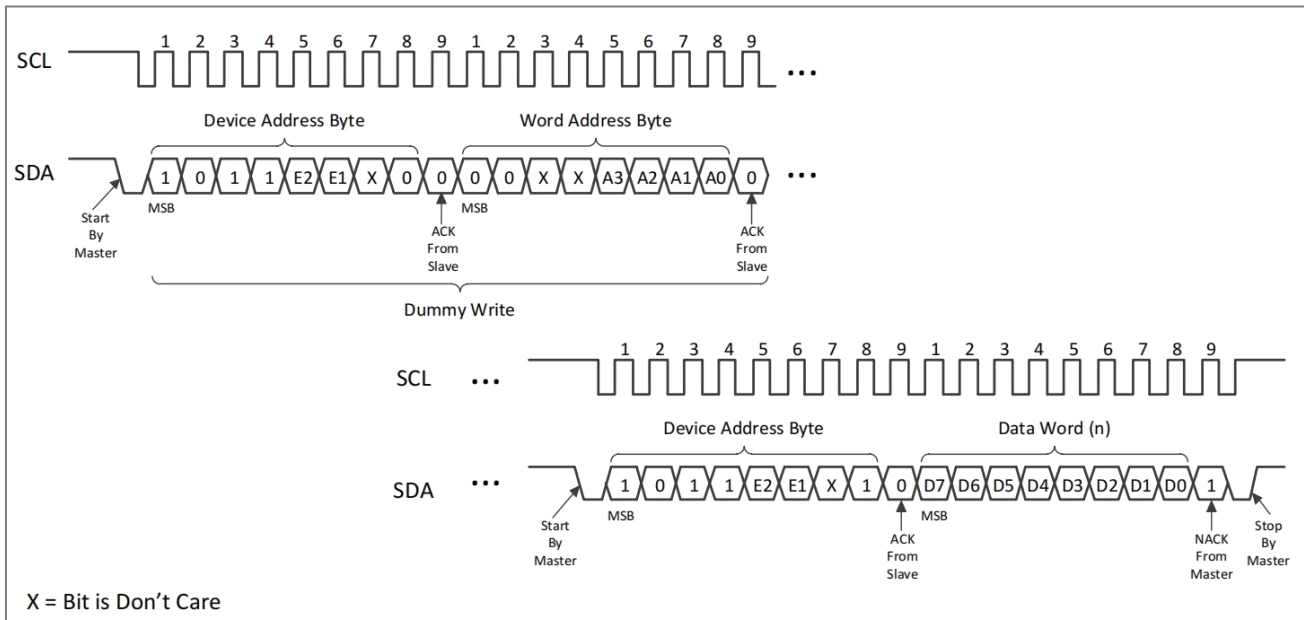
Read Identification Page

The Identification Page can be read by issuing a Read Identification Page instruction. This instruction uses the same protocol and format as Random Read, except that:

- The device type identifier is defined as '1011';
- The word address bits A7:A6 must be '00', bits A5:A4 are Don't Care;
- The word address bits A3:A0 define the byte locations inside the ID Page (see **Table 3**).

When the end of Identification Page is reached, the word address will roll over to the beginning of the Identification Page. The Read Identification Page operation is terminated by the Master responding with a NACK followed by a Stop condition (see **Figure 16**).

Figure 16 Read Identification Page



Read Lock Status

The locked/unlocked status of the Identification Page can be checked by transmitting a specific truncated command, Write Identification Page instruction and one data byte to the device. The device responds with an ACK to the data byte if the Identification Page is unlocked, or responds with a NACK if the Identification Page has been locked. Right after

this, it is recommended to transmit a Start condition to the device followed by a Stop condition (see **Figure 17**), so that the truncated Write command will not be executed because the Start condition resets the device internal logic, and the device is then set back into Standby mode by the Stop condition.

Read SWP Bit

Reading the Software Write Protection bit is performed with a Read SWP Bit instruction, which is similar to Random Read except that:

- The device type identifier is defined as '1011';
- The word address bits A7:A6 must be '11' and other word address bits are Don't Care;
- The higher seven bits of the data word byte are read as '0000000' and the bit 0 (D0) is the value of SWP bit (see **Figure 18**).

Reading more than one byte will loop on reading the SWP bit value.

Figure 17 Read Lock Status

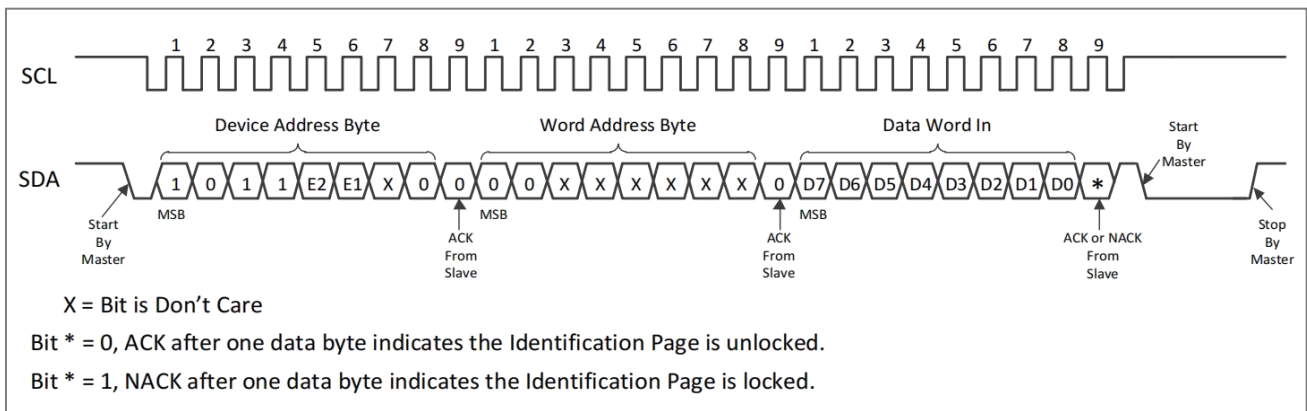
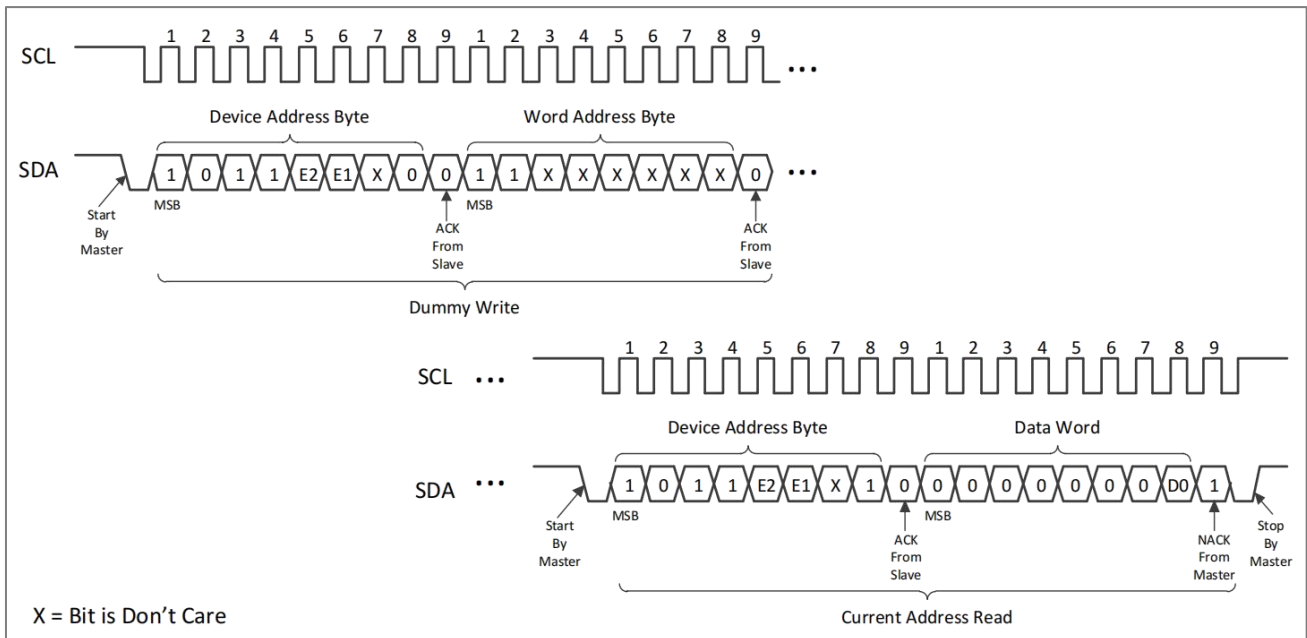


Figure 18 Read SWP Bit



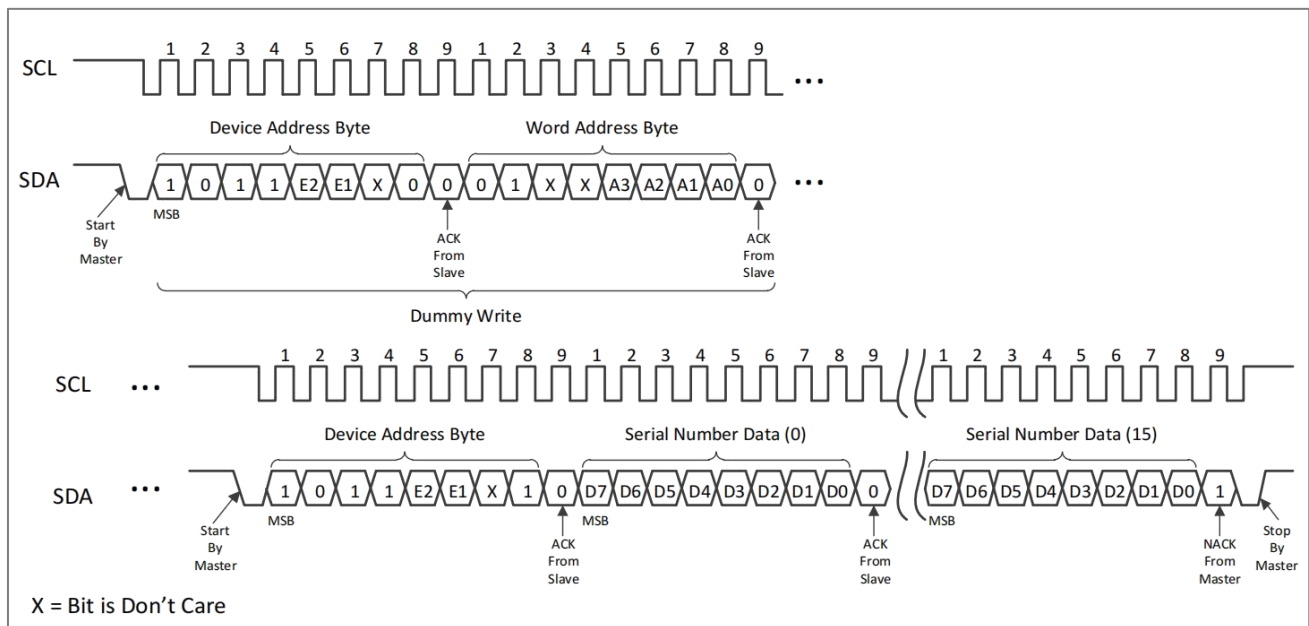
Read Unique ID

The AT24C04C offers a separate memory block containing a factory programmed 128-bit Unique ID (UID), or Serial Number. Reading the Serial Number is similar to Sequential Read, except that:

- The device type identifier is defined as '1011';
- The word address bits A7:A6 must be '01', bits A5:A4 are Don't Care;
- The word address bits A3:A0 define the byte locations inside the Unique ID (see **Table 3**).

In order to guarantee a unique number, the entire 128-bit value must be read from the starting address of the Serial Number block. Reading from a location other than the first address of the block will not result in a unique Serial Number. To read the first byte of the Serial Number, the word address bits A3:A0 need to be '0000'. Writing or altering the 128-bit Unique ID is not allowed. When the end of the 128-bit UID block is reached (16 bytes of data), the word address will roll over to the beginning of the 128-bit UID block. The Read Unique ID operation is terminated when the Master responds with a NACK to the data byte followed by a Stop condition (see **Figure 19**).

Figure 19 Read Unique ID



Electrical Specifications

Absolute Maximum Ratings

Symbol	Parameter	Value	Unit
T _A	Ambient temperature with power applied	-40 to +105	°C
T _{STG}	Storage temperature	-65 to +150	°C
V _{CC}	Supply voltage	-0.5 to +6.0	V
V _{IN}	Voltage on input Pins	-0.5 to +6.0	V
V _{ESD}	Electrostatic pulse (human body model)	6000	V
T _L	Lead Temperature (Soldering, 10 seconds)	245	°C

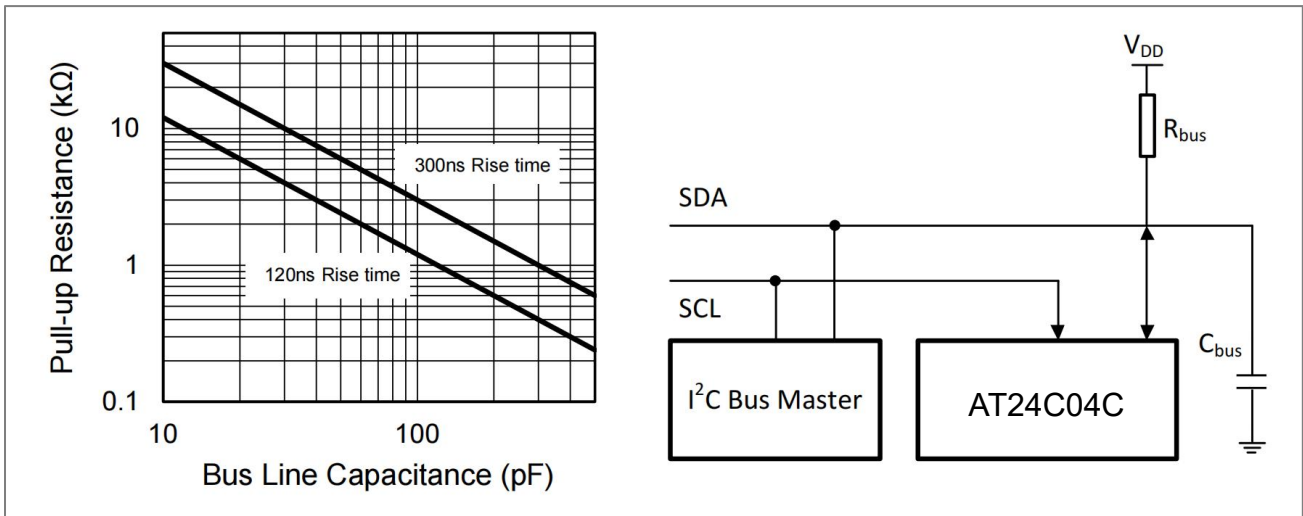
Note: Stresses beyond those listed under 'Absolute Maximum Ratings' may cause permanent damage to the device. Functional operation of the device at these ratings or any other conditions beyond those indicated in the operational sections of this specification is not implied. Exposure to absolute maximum rating conditions for extended periods may affect device reliability.

DC Characteristics

Operating range: T_A = -40°C to +105°C, V_{CC} = 1.7V to 5.5V (unless otherwise noted).

Symbol	Parameter	Test Condition	Min	Max	Unit
V _{CC}	Supply Voltage		1.7	5.5	V
I _{CC1}	Supply Current (Read)	V _{CC} = 1.7V, Read at 1MHz	-	0.1	mA
		V _{CC} = 5.5V, Read at 400 kHz	-	0.4	mA
		V _{CC} = 5.5V, Read at 1MHz	-	0.5	mA
I _{CC2}	Supply Current (Write)	V _{CC} = 5.5V, Write at 400 kHz	-	1	mA
I _{SB}	Standby Current	V _{CC} = 1.7V, V _{IN} = V _{CC} or GND	-	1	μA
I _{LI}	Input Leakage Current	V _{IN} = V _{CC} or GND	-	1	μA
I _{LO}	Output Leakage Current	V _{OUT} = V _{CC} or GND	-	1	μA
V _{IL}	Input Low-Level Voltage (SDA, SCL)		-0.5	0.3*V _{CC}	V
V _{IH}	Input High-Level Voltage (SDA, SCL)		0.7*V _{CC}	V _{CC} +0.5	V
V _{OL1}	Low-Level Output Voltage	V _{CC} > 2V, I _{OL} = 3mA	-	0.4	V
V _{OL2}	Low-Level Output Voltage	V _{CC} ≤2V, I _{OL} = 2mA	-	0.2	V

Figure 21 Maximum Pull-up Resistance vs. Bus Parasitic Capacitance



Pin Capacitance

Operating range for pin capacitance: $T_A = +25^\circ\text{C}$, $f_C = 1\text{MHz}$, $V_{CC} = 1.7\text{V}$ to 5.5V .

Symbol	Parameter ^[1]	Max	Unit	Test Condition
$C_{I/O}$	Input/output Capacitance (SDA)	8	pF	$V_{I/O} = 0\text{V}$
C_{IN}	other Pins	6	pF	$V_{IN} = 0\text{V}$

Note: ^[1] These parameters are ensured by characterization only.

Reliability Characteristics

Symbol	Parameter	Min	Unit	Test Condition
N_W	Write Cycle Endurance	2×10^6	cycle	$T_A = +25^\circ\text{C}$, Page Mode
D_R	Data Retention	200	year	$T_A = +25^\circ\text{C}$

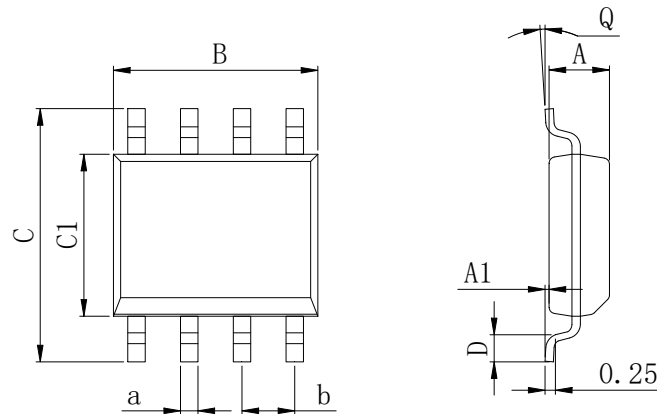
Initial Delivery State

The AT24C04C Serial EEPROM is delivered as follows:

- All bits in the memory array are set to '1' (each byte contains FFh).
- All bits in the Identification Page are set to '1' (each byte contains FFh).
- The Software Write Protection bit is set to '0'.

Physical Dimensions

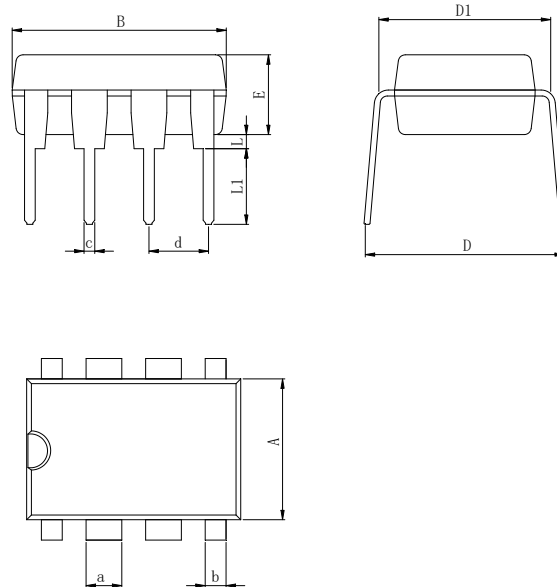
SOP-8



Dimensions In Millimeters(SOP-8)

Symbol:	A	A1	B	C	C1	D	Q	a	b
Min:	1.35	0.05	4.90	5.80	3.80	0.40	0°	0.35	1.27 BSC
Max:	1.55	0.20	5.10	6.20	4.00	0.80	8°	0.45	

DIP-8

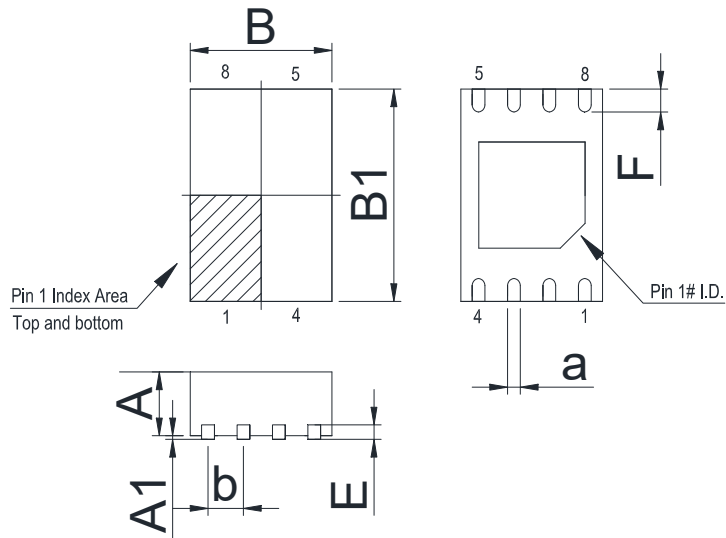


Dimensions In Millimeters(DIP-8)

Symbol:	A	B	D	D1	E	L	L1	a	b	c	d
Min:	6.10	9.00	8.10	7.42	3.10	0.50	3.00	1.50	0.85	0.40	2.54 BSC
Max:	6.68	9.50	10.9	7.82	3.55	0.70	3.60	1.55	0.90	0.50	

Physical Dimensions

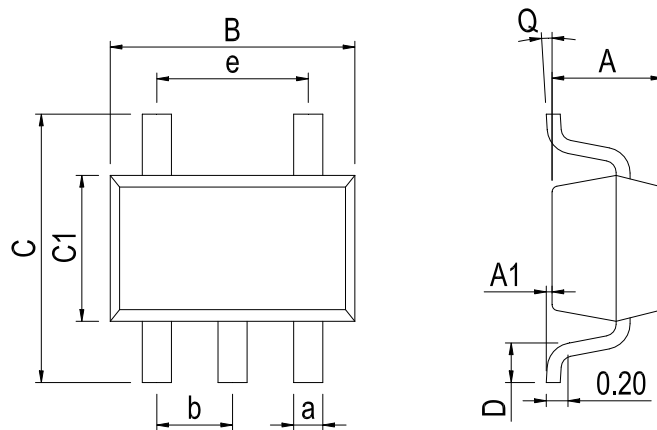
DFN-8 2*3



Dimensions In Millimeters(DFN-8 2*3)

Symbol:	A	A1	B	B1	E	F	a	b
Min:	0.85	0	1.90	2.90	0.15	0.25	0.20	0.50TYP
Max:	0.95	0.05	2.10	3.10	0.25	0.35	0.30	

SOT-23-5

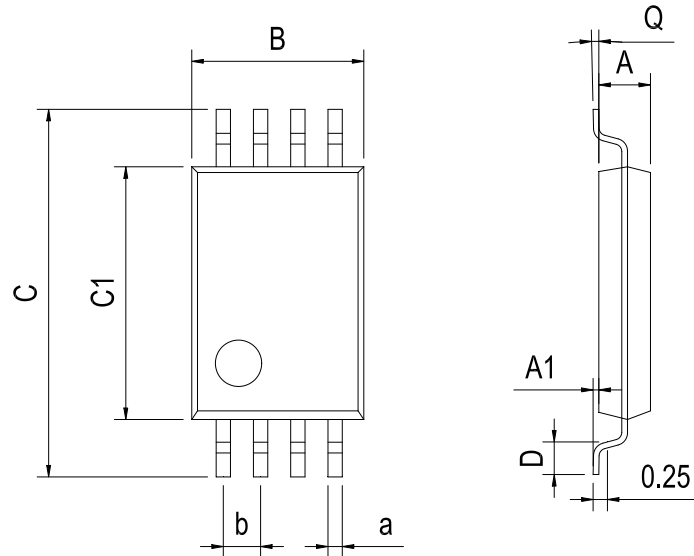


Dimensions In Millimeters(SOT-23-5)

Symbol:	A	A1	B	C	C1	D	Q	a	b	e
Min:	1.05	0.00	2.82	2.65	1.50	0.30	0°	0.30	0.95 BSC	1.90 BSC
Max:	1.15	0.15	3.02	2.95	1.70	0.60	8°	0.40		

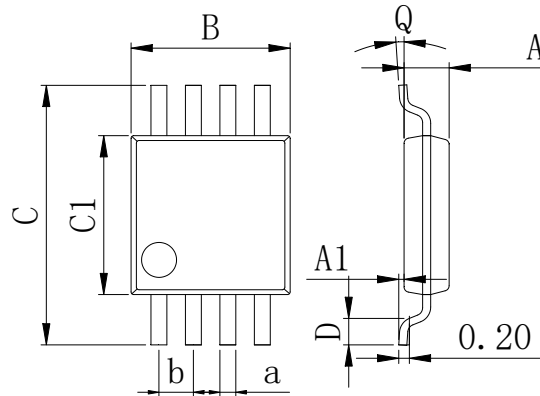
Physical Dimensions

TSSOP-8 (4.4*3.0)


Dimensions In Millimeters(TSSOP-8)

Symbol:	A	A1	B	C	C1	D	Q	a	b
Min:	0.85	0.05	2.90	6.20	4.30	0.40	0°	0.20	0.65 BSC
Max:	0.95	0.20	3.10	6.60	4.50	0.80	8°	0.25	

MSOP-8


Dimensions In Millimeters(MSOP-8)

Symbol:	A	A1	B	C	C1	D	Q	a	b
Min:	0.80	0.05	2.90	4.75	2.90	0.35	0°	0.25	0.65 BSC
Max:	0.90	0.20	3.10	5.05	3.10	0.75	8°	0.35	

Revision History

DATE	REVISION	PAGE
2016-6-8	New	1-25
2023-11-27	Update encapsulation type, Update Lead Temperature, Add timing sequential annotations	1, 18, 19

IMPORTANT STATEMENT:

Huaguan Semiconductor reserves the right to change its products and services without notice. Before ordering, the customer shall obtain the latest relevant information and verify whether the information is up to date and complete. Huaguan Semiconductor does not assume any responsibility or obligation for the altered documents.

Customers are responsible for complying with safety standards and taking safety measures when using Huaguan Semiconductor products for system design and machine manufacturing. You will bear all the following responsibilities: Select the appropriate Huaguan Semiconductor products for your application; Design, validate and test your application; Ensure that your application meets the appropriate standards and any other safety, security or other requirements. To avoid the occurrence of potential risks that may lead to personal injury or property loss.

Huaguan Semiconductor products have not been approved for applications in life support, military, aerospace and other fields, and Huaguan Semiconductor will not bear the consequences caused by the application of products in these fields. All problems, responsibilities and losses arising from the user's use beyond the applicable area of the product shall be borne by the user and have nothing to do with Huaguan Semiconductor, and the user shall not claim any compensation liability against Huaguan Semiconductor by the terms of this Agreement.

The technical and reliability data (including data sheets), design resources (including reference designs), application or other design suggestions, network tools, safety information and other resources provided for the performance of semiconductor products produced by Huaguan Semiconductor are not guaranteed to be free from defects and no warranty, express or implied, is made. The use of testing and other quality control technologies is limited to the quality assurance scope of Huaguan Semiconductor. Not all parameters of each device need to be tested.

The documentation of Huaguan Semiconductor authorizes you to use these resources only for developing the application of the product described in this document. You have no right to use any other Huaguan Semiconductor intellectual property rights or any third party intellectual property rights. It is strictly forbidden to make other copies or displays of these resources. You should fully compensate Huaguan Semiconductor and its agents for any claims, damages, costs, losses and debts caused by the use of these resources. Huaguan Semiconductor accepts no liability for any loss or damage caused by infringement.

X-ON Electronics

Largest Supplier of Electrical and Electronic Components

Click to view similar products for [EEPROM](#) category:

Click to view products by [HGSEMI](#) manufacturer:

Other Similar products are found below :

[718278CB](#) [M24C64-WMN6](#) [AT28C256-15PU-ND](#) [444358RB](#) [444362FB](#) [BR93C46-WMN7TP](#) [EEROMH](#) [AT24C256BY7-YH-T](#)
[CAT25320YIGT-KK](#) [LE2464DXATBG](#) [CAS93C66VP2I-GT3](#) [CAT24S128C4UTR](#) [S-25C040A0I-I8T1U](#) [S-93S66A0S-J8T2UD](#)
[N21C21ASNDT3G](#) [S-93A66BD0A-K8T2U3](#) [BR25H128NUX-5ACTR](#) [BR24G512FVT-5AE2](#) [BR25H256FJ-5ACE2](#) [CAT24C512C8UTR](#)
[BR24G1MFVT-5AE2](#) [GT24C04A-2ZLI-TR](#) [M95160-DWDW4TP/K](#) [CAT24C16WE-GT3](#) [CAT24C512XI](#) [FT24C64A-ELR-T](#) [FT24C08A-](#)
[KLR-T](#) [AT24C02CM/TR](#) [AT24C256CM/TR](#) [AT24C02CM5/TR](#) [AT24C04M5/TR](#) [24C04-HXY](#) [24C32-HXY](#) [AT24C02](#) [24C02-HXY](#)
[AT24C16D](#) [AT24C64](#) [ZD24C02B-SSGMB](#) [ZD24C16A-XGMT](#) [ZD24C02B-STGMT](#) [ZD24C02B-XGMT](#) [BL24C02F-TCRC](#) [BL24C02F-](#)
[SFRC](#) [FT24C02A-KNG-T](#) [FT24C32A-ELR-T](#) [FT24C02A-KLR-T](#) [FT24C64A-TLR-T](#) [HG24C256MM/TR](#) [HG24C02CM5/TR](#)
[AT24C02CMM/TR](#)