

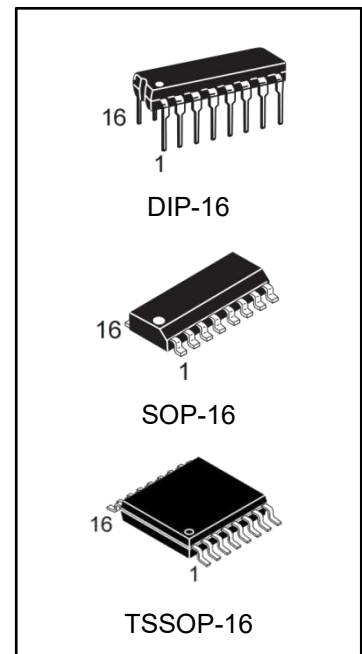
Quad TRI-STATE[®] Line Driver

General Description

DS3487 is quad RS-422 driver features four independent drivers which comply with EIA Standards for the electrical characteristics of balanced voltage digital interface circuits. The outputs are TRI-STATE structures which are forced to a high impedance state when the appropriate output control pin reaches a logic zero condition. All input pins are PNP buffered to minimize input loading for either logic one or logic zero inputs.

Features

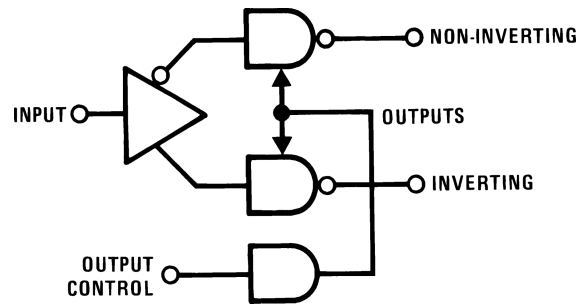
- Four independent drivers
- TRI-STATE[®] outputs
- Fast propagation times (typ 10 ns)
- TTL compatible
- 5V supply
- Output rise and fall times less than 15 ns
- Pin compatible with DS8924 and MC3487



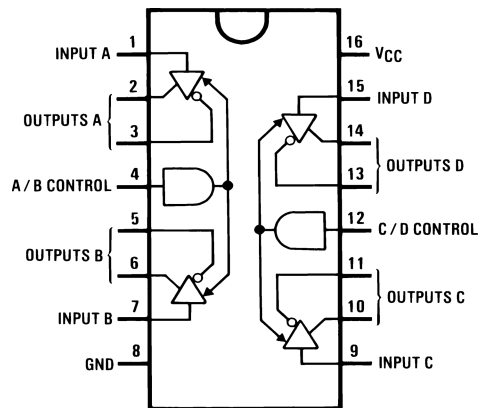
Ordering Information

DEVICE	Package Type	MARKING	Packing	Packing Qty
DS3487N	DIP-16	DS3487	TUBE	1000/box
DS3487M/TR	SOP-16	DS3487	REEL	2500/reel
DS3487MT/TR	TSSOP-16	DS3487	REEL	2500/reel

Block and Connection Diagrams



Dual-In-Line Package



Top View

(DIP16/SOP16/TSSOP16)

Truth Table

Input	Control Input	Non-Inverting Output	Inverting Output
H	H	H	L
L	H	L	H
X	L	Z	Z

L = Low logic state

H = High logic state

X = Irrelevant

Z = TRI-STATE(high impedance)

Absolute Maximum Ratings (Note 2)

Condition	Min	Max
Supply Voltage	8V	
Input Voltage	5.5V	
Storage Temperature	-65°C	+150°C
Maximum Power Dissipation (Note 1) at 25°C		
Molded DIP Package.	1476 mW	
SOP Package	1051 mW	
Lead Temperature (Soldering, 4 seconds)	260°C	

Operating Conditions

	Min	Max	Units
Supply Voltage, VCC	4.75	5.25	V
Temperature(TA)	-40	85	°C

Electrical Characteristics (Notes 3, 4, 5, 6)

Symbol	Parameter	Conditions	Min	Typ	Max	Units
V _{IL}	Input Low Voltage				0.8	V
V _{IH}	Input High Voltage		2.0			V
I _{IL}	Input Low Current	V _{IL} = 0.5V			-200	μA
I _{IH}	Input High Current	V _{IH} = 2.7V			50	μA
		V _{IH} = 5.5V			100	μA
V _{CL}	Input Clamp Voltage	I _{CL} = -18 mA			-1.5	V
V _{OL}	Output Low Voltage	I _{OL} = 48 mA			0.5	V
V _{OH}	Output High Voltage	I _{OH} = -20 mA	2.5			V
I _{OS}	Output Short-Circuit Current		-40		-140	mA
I _{OZ}	Output Leakage Current (TRI-STATE)	V _O = 0.5V			-100	μA
		V _O = 5.5V			100	μA
I _{OFF}	Output Leakage Current Power OFF	V _{CC} = 0V, V _O = 6V			100	μA
		V _{CC} = 0V, V _O = -0.25V			-100	μA
V _{OS} - V _{OS}	Difference in Output Offset Voltage				0.4	V
V _T	Differential Output Voltage		2.0			V
V _T - V _T	Difference in Differential Output Voltage				0.4	V
I _{CC}	Power Supply Current	Active		50	80	mA
		TRI-STATE®		35	60	mA

Switching Characteristics

 V_{CC} = 5V, T_A = 25°C

Symbol	Parameter	Conditions	Min	Typ	Max	Units
t _{PHL}	Input to Output			10	15	ns
t _{PLH}	Input to Output			10	15	ns
t _{THL}	Differential Fall Time			10	15	ns
t _{TLH}	Differential Rise Time			10	15	ns
t _{PHZ}	Enable to Output	R _L = 200Ω, C _L = 50 pF		17	25	ns
t _{PLZ}	Enable to Output	R _L = 200Ω, C _L = 50 pF		15	25	ns
t _{PZH}	Enable to Output	R _L = ∞, C _L = 50 pF, S1 Open		11	25	ns
t _{PZL}	Enable to Output	R _L = 200Ω, C _L = 50 pF, S2 Open		15	25	ns

Note 1: Derate DIP molded package 11.9mW/°C above 25°C. Derate SOP package 8.41mW/°C above 25°C

Note 2: "Absolute Maximum Ratings" are those values beyond which the safety of the device cannot be guaranteed. They are not meant to imply that the device should be operated at these limits. The table of "Electrical Characteristics" provides conditions for actual device operation.

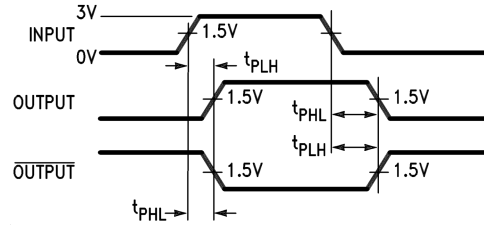
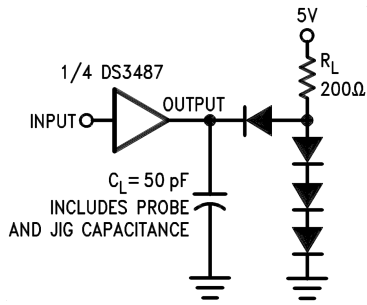
Note 3: Unless otherwise specified min/max limits apply across the 0°C to +70°C range for the DS3487. All typicals are given for V_{CC} = 5V and T_A = 25°C.

Note 4: All currents into device pins are positive, all currents out of device pins as negative. All voltages are referenced to ground unless otherwise specified.

Note 5: Only one output at a time should be shorted.

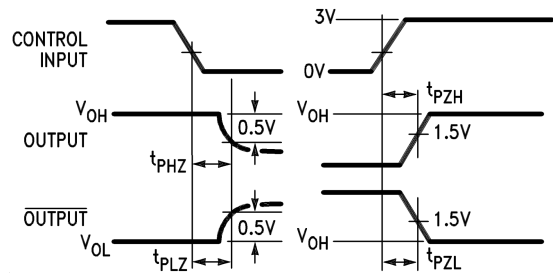
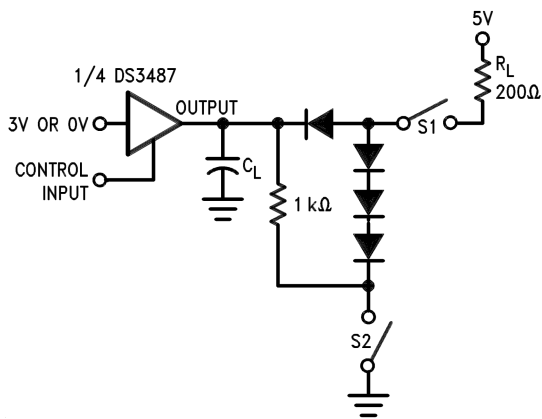
Note 6: Symbols and definitions correspond to EIA RS-422, where applicable.

AC Test Circuits and Switching Time Waveforms



Input pulse: $f = \text{MHz}$, 50%; $t_r = t_f = 15 \text{ ns}$.

FIGURE 1. Propagation Delays

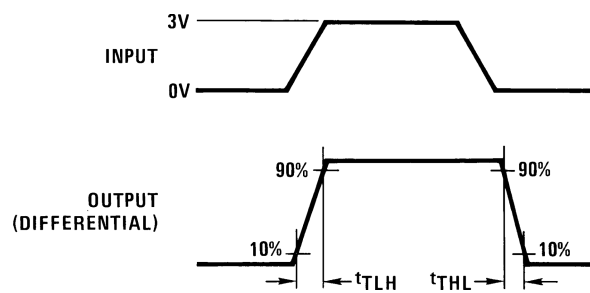
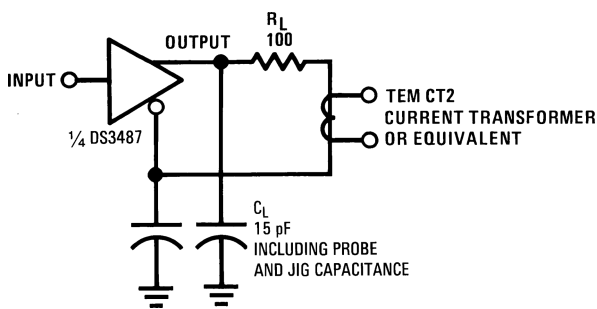


Input pulse: $f = \text{MHz}$, 50%; $t_r = t_f < 15 \text{ ns}$.

S1 = open for tPZH
S2 = open for tPZL

S1 and S2 closed except as noted.
CL includes probe and jig capacitance.

FIGURE 2. TRI-STATE Enable and Disable Delays

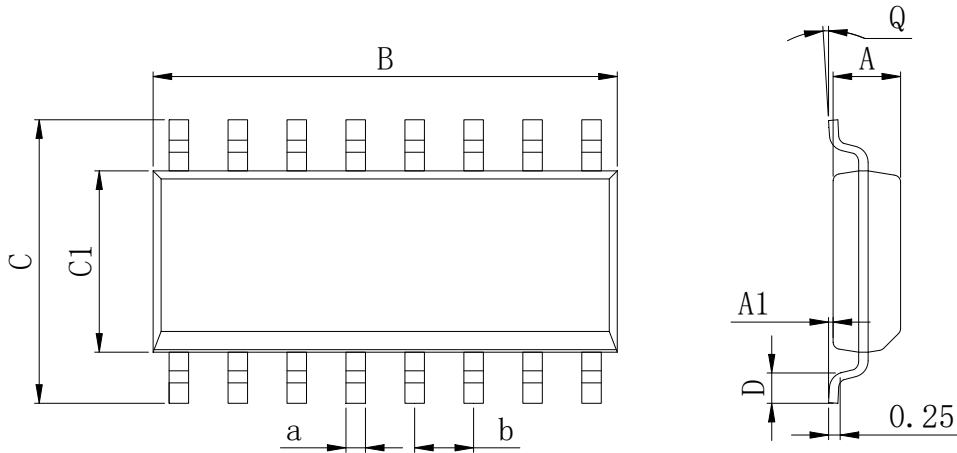


Input pulse: $f = \text{MHz}$, 50%; $t_r = t_f < 15 \text{ ns}$.

FIGURE 3. Differential Rise and Fall Times

Physical Dimensions

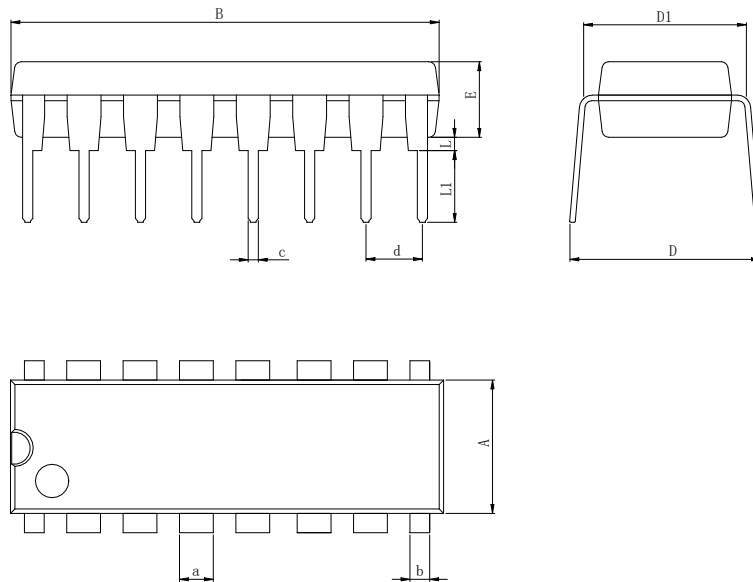
SOP16



Dimensions In Millimeters(SOP16)

Symbol:	A	A1	B	C	C1	D	Q	a	b
Min:	1.35	0.05	9.80	5.80	3.80	0.40	0°	0.35	1.27 BSC
Max:	1.55	0.20	10.0	6.20	4.00	0.80	8°	0.45	

DIP16

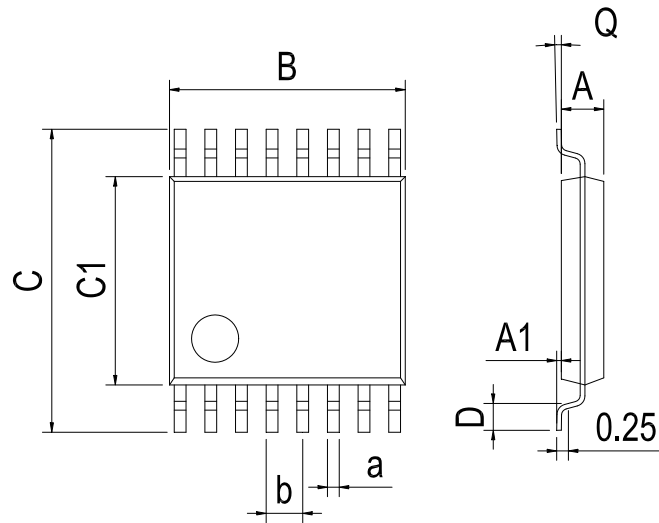


Dimensions In Millimeters(DIP16)

Symbol:	A	B	D	D1	E	L	L1	a	b	c	d
Min:	6.10	18.94	8.40	7.42	3.10	0.50	3.00	1.50	0.85	0.40	2.54 BSC
Max:	6.68	19.56	9.00	7.82	3.55	0.70	3.60	1.55	0.90	0.50	

Physical Dimensions

TSSOP16



Dimensions In Millimeters(TSSOP16)

Symbol:	A	A1	B	C	C1	D	Q	a	b
Min:	0.85	0.05	4.90	6.20	4.30	0.40	0°	0.20	0.65 BSC
Max:	0.95	0.20	5.10	6.60	4.50	0.80	8°	0.25	

IMPORTANT STATEMENT:

Huaguan Semiconductor reserves the right to change its products and services without notice. Before ordering, the customer shall obtain the latest relevant information and verify whether the information is up to date and complete. Huaguan Semiconductor does not assume any responsibility or obligation for the altered documents.

Customers are responsible for complying with safety standards and taking safety measures when using Huaguan Semiconductor products for system design and machine manufacturing. You will bear all the following responsibilities: Select the appropriate Huaguan Semiconductor products for your application; Design, validate and test your application; Ensure that your application meets the appropriate standards and any other safety, security or other requirements. To avoid the occurrence of potential risks that may lead to personal injury or property loss.

Huaguan Semiconductor products have not been approved for applications in life support, military, aerospace and other fields, and Huaguan Semiconductor will not bear the consequences caused by the application of products in these fields. All problems, responsibilities and losses arising from the user's use beyond the applicable area of the product shall be borne by the user and have nothing to do with Huaguan Semiconductor, and the user shall not claim any compensation liability against Huaguan Semiconductor by the terms of this Agreement.

The technical and reliability data (including data sheets), design resources (including reference designs), application or other design suggestions, network tools, safety information and other resources provided for the performance of semiconductor products produced by Huaguan Semiconductor are not guaranteed to be free from defects and no warranty, express or implied, is made. The use of testing and other quality control technologies is limited to the quality assurance scope of Huaguan Semiconductor. Not all parameters of each device need to be tested.

The documentation of Huaguan Semiconductor authorizes you to use these resources only for developing the application of the product described in this document. You have no right to use any other Huaguan Semiconductor intellectual property rights or any third party intellectual property rights. It is strictly forbidden to make other copies or displays of these resources. You should fully compensate Huaguan Semiconductor and its agents for any claims, damages, costs, losses and debts caused by the use of these resources. Huaguan Semiconductor accepts no liability for any loss or damage caused by infringement.

X-ON Electronics

Largest Supplier of Electrical and Electronic Components

Click to view similar products for [RS-422/RS-485 Interface IC](#) category:

Click to view products by [HGSEMI](#) manufacturer:

Other Similar products are found below :

[SP3494CN-L/TR](#) [ISL4486IBZ-T](#) [ISL4491EIB](#) [ISL4491EIBZ-T](#) [ISL81483IB](#) [ISL83086EIB](#) [ISL83088EIB](#) [ISL83488IB](#) [ISL8483EIB](#)
[ISL8487EIB](#) [ISL8489EIB](#) [ISL8491IP](#) [ADM489AN](#) [CA-IF4820HM](#) [CS48505M](#) [CS485S](#) [CS817x22HS](#) [MAX485ESA-MS](#) [MAX3085](#)
[ADM3485EARZ](#) [SP3485EEN](#) [TP3485ES8](#) [MAX3485ESA](#) [ST3485EBDR](#) [ADM485ARZ](#) [CA-IF4820HD](#) [CA-IF1042S-Q1](#) [CA-IF1021D-Q1](#)
[CS48520D](#) [SN65HVD78EIMM/TR](#) [HGX3085ECMM/TR](#) [SP3085EIMM/TR](#) [HGX3085EIMM/TR](#) [SN65HVD72EIMM/TR](#) [HGX485EIN](#)
[RS1905XK](#) [SIT1044QTK](#) [THVD1420DR](#) [MAX3490EESA+T](#) [UM3483EESA](#) [HD588L](#) [HD568N](#) [HD688ADR](#) [CA-IS3080WX](#) [CA-](#)
[IS3086WX](#) [CS817x20HS](#) [CA-IF1044S-Q1](#) [CA-IF4820FS](#) [CA-IF4850HS](#) [GM3490E](#)