

## 3V 256M-BIT SERIAL NOR FLASH WITH DUAL AND QUAD SPI, QPI

### FEATURES

- Power Supply Voltage
  - Single 2.7V-3.6V supply
- 256M bit Serial Flash
  - 256 M-bit/32M-Byte/131,072 pages
  - 256 Bytes per programmable page
  - Uniform 4K-Byte Sectors, 32K/64K-Byte Blocks
- New Family of SPI Flash Memories
  - Standard SPI: CLK, CS#, DI, DO, WP#, HOLD# / RESET#
  - Dual SPI: CLK, CS#, DI, DO, WP#, HOLD# / RESET#
  - Quad SPI: CLK, CS#, IO0, IO1, IO2, IO3, RESET#
  - QPI: CLK, CS#, IO0, IO1, IO2, IO3, RESET#
  - Software & Hardware Reset
  - 3 or 4-Byte Addressing Mode
  - Auto-increment Read capability
- Temperature Ranges
  - Industrial (-40°C to 105°C)
- Low power consumption
  - 30  $\mu$ A typical standby current
  - 3  $\mu$ A typical power down current
- Efficient "Continuous Read" and QPI Mode
  - Continuous Read with 8/16/32/64-Byte Wrap
  - Quad Peripheral Interface(QPI) reduces instruction overhead
- Flexible Architecture with 4KB sectors
  - Sector Erase (4K-Byte)
  - Block Erase (32K/64K-Byte)
  - Page Program up to 256 Bytes
  - More than 100K erase/program cycles
  - More than 20-year data retention
- Advanced Security Feature
  - Software and Hardware Write-Protect
  - Power Supply Lock-Down and OTP protection
- High performance program/erase speed
  - Page program time: 500us typical
  - Sector erase time: 25ms typical
  - Block erase time: 150ms typical
  - Chip erase time: 70s typical
- Package Options
  - SOP8-208mil
  - SOP16-300mil
  - All Pb-free packages are RoHS compliant
- Top/Bottom, Complement array protection
- Individual Block/Sector array protection
- 128-Bit Unique ID for each device
- Serial Flash Discoverable Parameters (SFDP) Register
- 3X1024-Byte Security Registers with OTP locks
- Volatile & Non-volatile Status Register Bits



## ORDERING INFORMATION

DEVICE	Package Type	MARKING	Packing	Packing Qty
HG25Q256MW/TR	SOP-8 208mil	25Q256	REEL	2500pcs/reel

## 1. GENERAL DESCRIPTION

The HG25Q256 of non-volatile flash memory device supports the standard Serial Peripheral Interface (SPI). Traditional SPI single bit serial input and output (Single I/O or SIO) is supported as well as optional two bit (Dual I/O or DIO) and four bit (quad I/O or QIO) serial protocols. This multiple width interface is called SPI Multi-I/O or MIO.

The SPI protocols use only 4 to 6 signals:

- Chip Select (CS#)
- Serial Clock (CLK)
- Serial Data
  - IO0 (DI)
  - IO1 (DO)
  - IO2 (WP#)
  - IO3 (HOLD# / RESET#)

The HG25Q256 support the standard Serial Peripheral Interface (SPI), Dual/Quad I/O SPI as well as 2-clocks instruction cycle Quad Peripheral Interface (QPI): Serial Clock, Chip Select, Serial Data I/O0 (DI), I/O1 (DO), I/O2 (WP#), and I/O3 (HOLD# / RESET#). SPI clock frequencies of up to 120MHz are supported allowing equivalent clock rates of 240MHz (120MHz x 2) for Dual I/O and 480MHz (120MHz x 4) for Quad I/O when using the Fast Read Dual/Quad I/O and QPI instructions. These transfer rates can outperform standard Asynchronous 8 and 16-bit Parallel Flash memories. The Continuous Read Mode allows for efficient memory access with as few as 8-clocks of instruction-overhead to read a 32/24-bit address, allowing true XIP (execute in place) operation.

A Hold pin, Write Protect pin and programmable write protection, with top or bottom array control, provide further control flexibility. Additionally, the device supports JEDEC standard manufacturer and device ID and SFDP Register, a 128-bit Unique Serial Number and three 1024-Byte Security Registers.

The HG25Q256 provides an ideal storage solution for systems with limited space, signal connections, and power. These memories' flexibility and performance is better than ordinary serial flash devices. They are ideal for code shadowing to RAM, executing code directly (XIP), and storing reprogrammable data.

## 2. BLOCK DIAGRAM

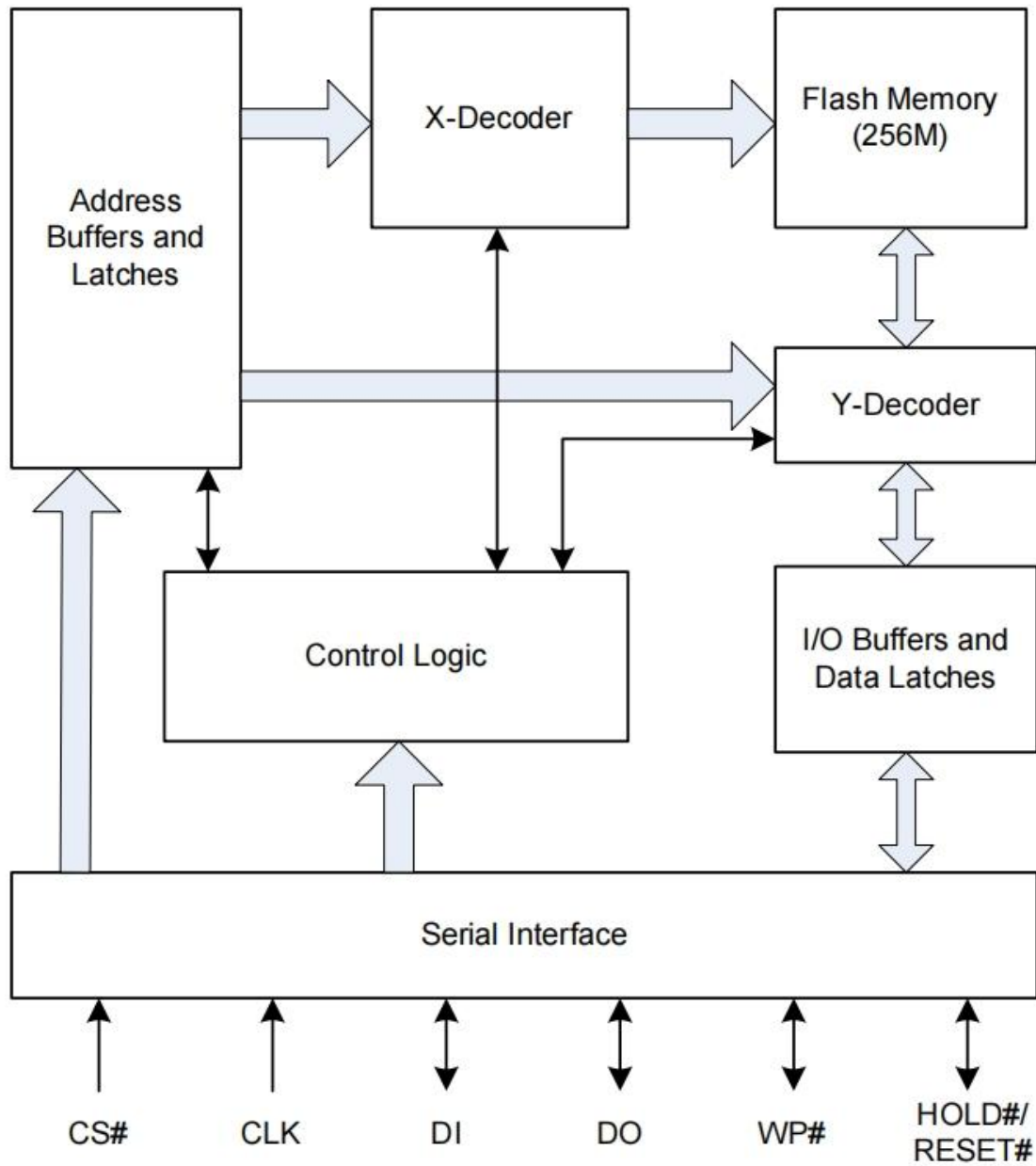
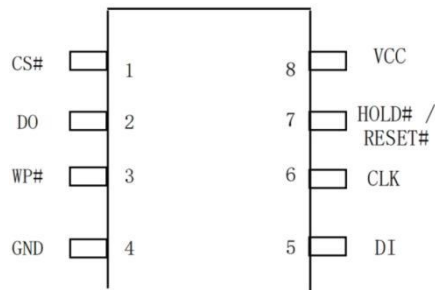


Figure 2.1 Block Diagram

### 3. CONNECTION DIAGRAMS



**Figure 3.1 SOP8 (208mil)**

**Notes:**

(1) CS# must be driven high if chip is not selected. Please don't leave CS# floating any time after power is on.

### 4. SIGNAL DESCRIPTIONS

**Table 4.1 Pin Descriptions**

Symbol	Pin Name
CLK	Serial Clock Input
DI(IO0)	Serial Data Input(Data input output 0) <sup>(1)</sup>
DO(IO1)	Serial Data Output(Data input output 1) <sup>(1)</sup>
CS#	Chip Enable
WP#(IO2) <sup>(3)</sup>	Write Protect (Data input output 2) <sup>(2)</sup>
HOLD# / RESET# <sup>(3)</sup> (IO3)	Hold or Reset input(Data input output 3) <sup>(2)</sup>
VCC	Power Supply (2.7-3.6V)
GND	Ground

**Notes:**

(1) IO0 and IO1 are used for Standard and Dual SPI instructions.

(2) IO0—IO3 are used for QUAD SPI / QPI instructions.

(3) WP# and HOLD# / RESET# functions are only available for Standard and Dual SPI.

#### **4.1 Serial Data Input (DI) / IO0**

The SPI Serial Data Input (DI) pin is used to transfer data serially into the device. It receives instructions, address and data to be programmed. Data is latched on the rising edge of the Serial Clock (CLK) input pin. The DI pin becomes IO0 - an input and output during Dual and Quad commands for receiving instructions, address, and data to be programmed (values latched on rising edge of serial CLK clock signal) as well as shifting out data (on the falling edge of CLK).

#### **4.2 Serial Data Output (DO) / IO1**

The SPI Serial Data Output (DO) pin is used to transfer data serially out of the device. Data is shifted out on the falling edge of the Serial Clock (CLK) input pin. DO becomes IO1 - an input and output during Dual and Quad commands for receiving instructions, addresses, and data to be programmed (values latched on rising edge of serial CLK clock signal) as well as shifting out data (on the falling edge of CLK).

#### **4.3 Serial Clock (CLK)**

The SPI Serial Clock Input (CLK) pin provides the timing for serial input and output operations. (“See SPI Mode”)

#### **4.4 Chip Select (CS#)**

The SPI Chip Select (CS#) pin enables and disables device operation. When CS# is high the device is deselected and the Serial Data Output pins are at high impedance.

When deselected, the devices power consumption will be at standby levels unless an internal erase, program or status register cycle is in progress. When CS# is brought low the device will be selected, power consumption will increase to active levels and instructions can be written to and data read from the device. After power-up, CS# must transition from high to low before a new instruction will be accepted.

#### **4.5 Write Protect (WP#) / IO2**

The Write Protect (WP#) pin can be used to prevent the Status Register from being written. Used in conjunction with the Status Register’s Block Protect (BP0, BP1, BP2 and BP3, TB, CMP) bits and Status HG25Q256-V1.012 Register Protect (SRP) bits, a portion or the entire memory array can be hardware protected.

The WP# function is not available when the Quad mode is enabled. The WP# function is replaced by IO2 for input and output during Quad mode for receiving addresses and data to be programmed (values are latched on rising edge of the CLK signal) as well as shifting out data (on the falling edge of CLK).

#### **4.6 HOLD (HOLD#) / IO3**

The HOLD# pin allows the device to be paused while it is actively selected. When HRSW bit is ‘0’ (factory default is ‘0’), the HOLD# pin is enabled. When HOLD# is brought low, while CS# is low, the DO pin will be at high impedance and signals on the DI and CLK pins will be ignored (don’t care). When HOLD# is brought high, device operation can resume. The HOLD# function can be useful when multiple devices are sharing the same SPI signals. The HOLD# pin is active low. When the QE bit of Status Register-2 is set for Quad I/O, the HOLD# pin function is not available since this pin is used for IO3.

#### **4.7 RESET (RESET#) / IO3**

The RESET# pin allows the device to be reset by the controller. When HRSW bit is ‘1’ (factory default is ‘0’), the RESET# pin is enabled. Drive RESET# low for a minimum period of ~1us (tRESET\*) will interrupt any on-going external/internal operations, regardless the status of other SPI signals (CS#, CLK, DI, DO, WP# and/or HOLD#). The Hardware Reset function is only available for standard SPI and Dual SPI operation, when QE=0, the IO3 pin can be configured either as a HOLD# pin or as a RESET# pin depending on Status Register setting, when QE=1, this pin is the Serial Data IO (IO3) for Quad I/O operation. For Special Order of the SOP16 a dedicated RESET# pin is provided and it is independent of QE bit setting.

## 5 MEMORY ORGANIZATION

### 5.1 Flash Memory Array

The memory is organized as:

- 33,554,432Bytes
- Uniform Sector Architecture 512 blocks of 64K-Byte
- 8,192 sectors of 4K-Byte
- 131,072 pages (256 Bytes each)

Each page can be individually programmed (bits are programmed from 1 to 0). The device is Sector, Block or Chip Erasable but not Page Erasable.

**Table 5.1<sup>(1)</sup> Memory Organization(HG25Q256)**

Block/ Security Register/SFDP	Sector	Address range	
Security Register 3	-	003000H	0033FFH
Security Register 2	-	002000H	0023FFH
Security Register 1	-	001000H	0013FFH
Security Register 0 (SFDP)	-	000000H	0000FFH
Block 511	8191	01FF F000H	01FF FFFFH
	.....	.....	.....
Block 510	8176	01FF 0000H	01FF 0FFFH
	8175	01FE F000H	01FE FFFFH
.....	.....	.....	.....
	8160	01FE 0000H	01FE 0FFFH
.....	.....	.....	.....
	.....	.....	.....
Block 2	47	0002 F000H	0002 FFFFH
	.....	.....	.....
Block 1	32	0002 0000H	0002 0FFFH
	31	0001 F000H	0001 FFFFH
Block 0	.....	.....	.....
	16	0001 0000H	0001 0FFFH
Block 0	15	0000 F000H	0000 FFFFH
	.....	.....	.....
Block 0	0	0000 0000H	0000 0FFFH
	.....	.....	.....

**Notes:** (1) These are condensed tables that use a couple of sectors as references. There are address ranges that are not explicitly listed. All 4-KB sectors have the pattern XXX000h-XXXXFFh.

## 5.2 Security Registers

The HG25Q256 provides three 1024 -Byte Security Registers. Each register can be used to store information that can be permanently protected by programming One Time Programmable (OTP) lock bits in Status Register-2.

Register 0 is used by HG to store and protect the Serial Flash Discoverable Parameters (SFDP) information that is also accessed by the Read SFDP command. See Table 5.1.

The three additional Security Registers can be erased, programmed, and protected individually. These registers may be used by system manufacturers to store and permanently protect security or other important information separate from the main memory array.

### 5.2.1 Security Register 0

Serial Flash Discoverable Parameters (SFDP — JEDEC JESD216D):

This document defines the Serial Flash Discoverable Parameters (SFDP) revision D data structure for HG25Q256 family.

The Read SFDP (RSFDP) command (5Ah) reads information from a separate flash memory address space for device identification, feature, and configuration information, in accord with the JEDEC JESD216D standard for Serial Flash Discoverable Parameters.

The SFDP data structure consists of a header table that identifies the revision of the JESD216 header format that is supported and provides a revision number and pointer for each of the SFDP parameter tables that are provided. The parameter tables follow the SFDP header. However, the parameter tables may be placed in any physical location and order within the SFDP address space. The tables are not necessarily adjacent nor in the same order as their header table entries.

The SFDP header points to the following parameter tables:

Basic Flash

– This is the original SFDP table.

The physical order of the tables in the SFDP address space is: SFDP Header, and Basic Flash. The SFDP address space is programmed by HG and read-only for the host system.

### 5.2.2 Serial Flash Discoverable Parameters (SFDP) Address Map

The SFDP address space has a header starting at address zero that identifies the SFDP data structure and provides a pointer to each parameter. One Basic Flash parameter is mandated by the JEDEC JESD216D standard.

**Table 5.2 SFDP Overview Map — Security Register 0**

Byte Address	Description
0000h	Location zero within JEDEC JESD216D SFDP space – start of SFDP header
0020h	Undefined space reserved for future SFDP header
0030h	Start of SFDP parameter
...	Remainder of SFDP JEDEC parameter followed by undefined space
007Bh	End of SFDP space
007Ch to 00FFh	Reserved space

**5.2.3 SFDP Header Field Definitions**
**Table 5.3 SFDP Signature and Parameter Identification Data Value**

SFDP Byte Address	SFDP Dword Name	Data	Description
00h	SFDP Header 1st DWORD	53h	This is the entry point for Read SFDP (5Ah) command i.e. location zero within SFDP space ASCII "S"
01h		46h	ASCII "F"
02h		44h	ASCII "D"
03h		50h	ASCII "P"
04h	SFDP Header 2nd DWORD	08h	SFDP Minor Revision Number This 8-bit field indicates the minor revision number of this standard. The value in this field is 08h for devices which implement the JESD216D revision
05h		01h	SFDP Major Revision Number This 8-bit field indicates the major revision number of this standard. The value in this field is 01h for devices which implement the JESD216D revision
06h		01h	Number of Parameter Headers (zero based, 00h = 1 parameters)
07h		FFh	SFDP Access Protocol field
08h	Parameter Header 0 1st DWORD	00h	Parameter ID LSB The JEDEC Basic Flash Parameter Table is assigned the ID LSB of 00h.
09h		07h	Parameter Table Minor Revision Number This 8-bit field indicates the minor revision number of the JEDEC Basic Flash Parameter table. The value in this field is 07h for this table defined by JESD216Drevision
0Ah		01h	Parameter Table Major Revision Number This 8-bit field indicates the major revision number of the parameter table. The value in this field is 01h for this table defined by JESD216D revision
0Bh		10h	Parameter Table Length (in double words = Dwords = 4-Byte units) 10h = 16 Dwords
0Ch	Parameter Header 0 2nd DWORD	30h	Parameter Table Pointer Byte 0 (Dword = 4-Byte aligned) JEDEC Basic SPI Flash parameter Byte offset = 30h
0Dh		00h	Parameter Table Pointer Byte 1
0Eh		00h	Parameter Table Pointer Byte 2
0Fh		FFh	Parameter ID MSB (FFh = JEDEC defined legacy Parameter ID)
10h	Parameter Header 1 1st DWORD	5Eh	ID Number It indicates HG manufacture ID
11h		00h	Parameter Table Minor Revision Number Starts from 00h
12h		01h	Parameter Table Major Revision Number Starts from 01h
13h		03h	Parameter Table Length, 0 based
14h	Parameter Header 1 2nd DWORD	70h	Parameter Table Pointer Byte 0 (Dword = 4-Byte aligned) HG Flash parameter Byte offset = 70h
15h		00h	Parameter Table Pointer Byte 1
16h		00h	Parameter Table Pointer Byte 2
17h		FFh	Unused



**5.2.4 JEDEC SFDP Basic SPI Flash Parameter**
**Table 5.4 Basic SPI Flash Parameter, JEDEC SFDP Rev D (Sheet 1 of 5)**

SFDP Parameter Relative Byte Address	SFDP Dword Name	Data	Description
30h	JEDEC Basic Flash Parameter Dword-1	E5h	Start of SFDP JEDEC parameter Bits 7:5 = unused = 111b Bit 4:3 = 05h is volatile status register write instruction and status register is default non-volatile= 00b Bit 2 = Program Buffer > 64 Bytes = 1 Bits 1:0 = Uniform 4-KB erase is supported throughout the device = 01b
31h		20h	Bits 15:8 = Uniform 4-KB erase instruction = 20h
32h		F3h	Bit 23 = Unused = 1b Bit 22 = Supports QOR Read (1-1-4), Yes = 1b Bit 21 = Supports QIO Read (1-4-4), Yes = 1b Bit 20 = Supports DIO Read (1-2-2), Yes = 1b Bit 19 = Supports DTR, No = 0b Bit 18:17 = Number of Address Bytes 3 or 4 = 01b Bit 16 = Supports SIO and DIO Yes = 1b Binary Field: 1-1-1-1-0-01-1 Nibble Format: 1111_0011 Hex Format: F3
33h		FFh	Bits 31:24 = Unused = FFh
34h	JEDEC Basic Flash Parameter Dword-2	FFh	Density in bits, zero based,
35h		FFh	64 Mb = 03FFFFFFh
36h		FFh	128 Mb = 07FFFFFFh
37h		0Fh	256 Mb = 0FFFFFFFh
38h	JEDEC Basic Flash Parameter Dword-3	44h	Bits 7:5 = number of QIO (1-4-4) Mode cycles = 010b Bits 4:0 = number of Fast Read QIO Dummy cycles = 00100b for default latency code
39h		EBh	Fast Read QIO (1-4-4) instruction code
3Ah		08h	Bits 23:21 = number of Quad Out (1-1-4) Mode cycles = 000b Bits 20:16 = number of Quad Out Dummy cycles = 01000b for default latency code
3Bh		6Bh	Quad Out (1-1-4) instruction code
3Ch	JEDEC Basic Flash Parameter Dword-4	08h	Bits 7:5 = number of Dual Out (1-1-2) Mode cycles = 000b Bits 4:0 = number of Dual Out Dummy cycles = 01000b for default latency code
3Dh		3Bh	Dual Out (1-1-2) instruction code
3Eh		80h	Bits 23:21 = number of Dual I/O Mode cycles = 100b Bits 20:16 = number of Dual I/O Dummy cycles = 00000b for default latency code
3Fh		BBh	Dual I/O instruction code
40h	JEDEC Basic Flash Parameter Dword-5	FEh	Bits 7:5 RFU = 111b Bit 4 = QPI (4-4-4) fast read commands supported = 1b Bits 3:1 RFU = 111b Bit 0 = Dual All not supported = 0b
41h		FFh	Bits 15:8 = RFU = FFh
42h		FFh	Bits 23:16 = RFU = FFh
43h		FFh	Bits 31:24 = RFU = FFh
44h	JEDEC Basic Flash Parameter Dword-6	FFh	Bits 7:0 = RFU = FFh
45h		FFh	Bits 15:8 = RFU = FFh
46h		FFh	Bits 23:21 = number of Dual All Mode cycles = 111b Bits 20:16 = number of Dual All Dummy cycles = 11111b
47h		FFh	Dual All instruction code

**Table 5.4 Basic SPI Flash Parameter, JEDEC SFDP Rev D (Sheet 2 of 5)**

SFDP Parameter Relative Byte Address	SFDP Dword Name	Data	Description
48h	JEDEC	FFh	Bits 7:0 = RFU = FFh
49h		FFh	Bits 15:8 = RFU = FFh
4Ah	Basic Flash Parameter Dword-7	44h	Bits 23:21 = number of QPI Mode cycles = 010b Bits 20:16 = number of QPI Dummy cycles = 00100b for default latency code
4Bh		EBh	QPI instruction code
4Ch	JEDEC	0Ch	Erase Type 1 size 2N Bytes = 4 KB = 0Ch (for Uniform 4 KB)
4Dh	Basic Flash Parameter Dword-8	20h	Erase Type 1 instruction
4Eh		0Fh	Erase Type 2 size 2N Bytes = 32 KB = 0Fh (for Uniform 32 KB)
4Fh		52h	Erase Type 2 instruction
50h	JEDEC	10h	Erase Type 3 size 2N Bytes = 64 KB = 10h (for Uniform 64 KB)
51h	Basic Flash Parameter Dword-9	D8h	Erase Type 3 instruction
52h		00h	Erase Type 4 size 2N Bytes = not supported = 00h
53h		FFh	Erase Type 4 instruction = not supported = FFh
54h	JEDEC Basic Flash Parameter Dword-10	11h	Bits 31:30 = Erase Type 4 Erase, Typical time units (00b: 1 ms, 01b: 16 ms, 10b: 128 ms, 11b:1 s) = RFU = 11b
55h		3Ah	Bits 29:25 = Erase Type 4 Erase, Typical time count = RFU = 11111b (typ erase time = (count+1) * units) = RFU = 11111
56h		A5h	Bits 24:23 = Erase Type 3 Erase, Typical time units (00b: 1 ms, 01b: 16 ms, 10b: 128 ms, 11b:1 s) = RFU = 01b Bits 22:18 = Erase Type 3 Erase, Typical time count = 01001b (typ erase time = (count +1) *units) = 10*16 ms = 150ms Bits 17:16 = Erase Type 2 Erase, Typical time units (00b: 1 ms, 01b: 16 ms, 10b: 128 ms, 11b:1 s) = 16 ms = 01b Bits 15:11 = Erase Type 2 Erase, Typical time count = 00111b (typ erase time = (count +1) *units) = 8*16 ms = 120 ms Bits 10:9 = Erase Type 1 Erase, Typical time units (00b: 1 ms, 01b: 16 ms, 10b: 128 ms, 11b: 1s) = 16ms = 01b Bits 8:4 = Erase Type 1 Erase, Typical time count = 00001b (typ erase time = (count +1) *units) = 2*16 ms = 30 ms Bits 3:0 = Count = (Max Erase time / (2 * Typical Erase time))- 1 = 0001b Multiplier from typical erase time to maximum erase time = 8x multiplier Max Erase time = 2*(Count +1)*Typ Erase time Binary Fields: 1111111_0101001_0100111_0100001_0001 Nibble Format: 1111_1110_1010_0101_0011_1010_0001_0001 Hex Format: FE_A5_3A_11
57h		FEh	

**Table 5.4 Basic SPI Flash Parameter, JEDEC SFDP Rev D (Sheet 3 of 5)**

SFDP Parameter Relative Byte Address	SFDP Dword Name	Data	Description
58h	JEDEC Basic Flash Parameter Dword-11	82h	Bits 23 = Byte Program Typical time, additional Byte units (0b:1 $\mu$ s, 1b:8 $\mu$ s) = 1 $\mu$ s = 0b
59h		67h	Bits 22:19 = Byte Program Typical time, additional Byte count, (count+1)*units, count = 0010b, (typ Program time = (count + 1) * units) = 3*1 $\mu$ s = 3 $\mu$ s
5Ah		14h	Bits 18 = Byte Program Typical time, first Byte units (0b:1 $\mu$ s, 1b:8 $\mu$ s) = 8 $\mu$ s = 1b Bits 17:14 = Byte Program Typical time, first Byte count, (count+1)*units, count = 0001b, (typ Program time = (count + 1) * units) = 2*8 $\mu$ s = 16 $\mu$ s Bits 13 = Page Program Typical time units (0b:8 $\mu$ s, 1b:64 $\mu$ s) = 64 $\mu$ s = 1b Bits 12:8 = Page Program Typical time count, (count+1)*units, count = 00111b, (typ Program time = (count + 1) * units) = 8*64 $\mu$ s = 500 $\mu$ s Bits 7:4 = N= 1000b, Page size= 2N = 256B page Bits 3:0 = Count = 0010b = (Max Page Program time / (2 * Typ Page Program time))- 1 Multiplier from typical Page Program time to maximum Page Program time = 2x multiplier Max Page Program time = 2*(Count + 1)*Typ Page Program time Binary Fields: 0-0010-1-0001-1-00111-1000-0010 Nibble Format: 0001_0100_0110_0111_1000_0010 Hex Format: 14_67_82
5Bh	D9h	256 Mb = 1101_1001b = D9h Bit 31 Reserved = 1b Bits 30:29 = Chip Erase, Typical time units (00b: 16 ms, 01b: 256 ms, 10b: 4 s, 11b: 64 s) = 4s = 10b Bits 28:24 = Chip Erase, Typical time count, (count+1)*units, count = 11001b, (typ Program time = (count + 1) * units) = 20*4s = 80s	
5Ch	JEDEC Basic Flash Parameter Dword-12	ECh	Bit 31 = Suspend and Resume supported = 0b
5Dh		63h	Bits 30:29 = Suspend in-progress erase max latency units (00b: 128ns, 01b: 1us, 10b: 8 $\mu$ s, 11b: 64 $\mu$ s) = 1 $\mu$ s = 01b
5Eh		16h	Bits 28:24 = Suspend in-progress erase max latency count = 10011b, max erase suspend latency = (count + 1) * units = 20*1 $\mu$ s = 20 $\mu$ s
5Fh		33h	Bits 23:20 = Erase resume to suspend interval count = 0001b, interval = (count + 1)* 64 $\mu$ s = 2* 64 $\mu$ s = 128 $\mu$ s Bits 19:18 = Suspend in-progress program max latency units (00b: 128ns, 01b: 1us, 10b: 8 $\mu$ s, 11b: 64 $\mu$ s) = 1 $\mu$ s = 01b Bits 17:13 = Suspend in-progress program max latency count = 10011b, max erase suspend latency = (count + 1) * units = 20*1 $\mu$ s = 20 $\mu$ s Bits 12:9 = Program resume to suspend interval count = 0001b, interval = (count+1) * 64 $\mu$ s = 2 * 64 $\mu$ s = 128 $\mu$ s Bit 8 = RFU = 1b Bits 7:4 = Prohibited operations during erase suspend = xxx0b: May not initiate a new erase anywhere (erase nesting not permitted) + xx1xb: May not initiate a page program in the erase suspended sector size + x1xxb: May not initiate a read in the erase suspended sector size + 1xxxb: The erase and program restrictions in bits 5:4 are sufficient = 1110b Bits 3:0 = Prohibited Operations During Program Suspend = xxx0b: May not initiate a new erase anywhere + xx0xb: May not initiate a new page program anywhere (program nesting not permitted) + x1xxb: May not initiate a read in the program suspended page size + 1xxxb: The erase and program restrictions in bits 1:0 are sufficient = 1101b Binary Fields: 0-01-10011-0001-01-10011-0001-1-1110-1100 Nibble Format: 0011_0011_0001_0110_0110_0011_1110_1100 Hex Format: 33_16_63_EC

**Table 5.4 Basic SPI Flash Parameter, JEDEC SFDP Rev D (Sheet 4 of 5)**

SFDP Parameter Relative Byte Address	SFDP Dword Name	Data	Description
60h	JEDEC	7Ah	Bits 31:24 = Erase Suspend Instruction = 75h
61h	Basic Flash Parameter Dword-13	75h	Bits 23:16 = Erase Resume Instruction = 7Ah
62h		7Ah	Bits 15:8 = Program Suspend Instruction = 75h
63h		75h	Bits 7:0 = Program Resume Instruction = 7Ah
64h	JEDEC Basic Flash Parameter Dword-14	F7h	Bit 31 = Deep Power-Down Supported = 0
65h		A2h	Bits 30:23 = Enter Deep Power-Down Instruction = B9h
66h		D5h	Bits 22:15 = Exit Deep Power-Down Instruction = ABh
67h		5Ch	Bits 14:13 = Exit Deep Power-Down to next operation delay units = (00b: 128 ns, 01b: 1 μs, 10b: 8 μs, 11b: 64 μs) = 1 μs = 01b Bits 12:8 = Exit Deep Power-Down to next operation delay count = 00010b, Exit Deep Power-Down to next operation delay = (count+1)*units = 3*1 μs=3 μs Bits 7:4 = RFU = 1111b Bit 3:2 = Status Register Polling Device Busy = 01b: Legacy status polling supported = Use legacy polling by reading the Status Register with 05h instruction and checking BUSY bit (0=ready; 1=busy). Bits 1:0 = RFU = 11b Binary Fields: 0-10111001-10101011-01-00010-1111-01-11 Nibble Format: 0101_1100_1101_0101_1010_0010_1111_0111 Hex Format: 5C_D5_A2_F7
68h	JEDEC Basic Flash Parameter Dword-15	19h	Bits 31:24 = RFU = FFh
69h		F6h	Bit 23 = Hold and WP Disable = set QE(bit 1 of SR2) high = 1b
6Ah		DDh	Bits 22:20 = Quad Enable Requirements = 101b: QE is bit 1 of the status register 2. Status register 1 is read using Read Status instruction 05h. Status register 2 is read using instruction 35h. QE is set via Write Status instruction 01h with two data Bytes where bit 1 of the second Byte is one. It is cleared via Write Status with two data Bytes where bit 1 of the second Byte is zero.
6Bh		FFh	Bits 19:16 0-4-4 Mode Entry Method = xxx1b: Mode Bits[7:0] = A5h Note: QE must be set prior to using this mode+ x1xxb: Mode Bits[7:0] = Axh+ 1xxxb: RFU = 1101b Bits 15:10 0-4-4 Mode Exit Method= xx_xxx1b: Mode Bits[7:0] = 00h will terminate this mode at the end of the current read operation + xx_1xxb: Input Fh (mode bit reset) on DQ0-DQ3 for 8 clocks. This will terminate the mode prior to the next read operation.+ 11_x1xx: RFU = 111101b Bit 9 = 0-4-4 mode supported = 1 Bits 8:4 = 4-4-4 mode enable sequences = 0_0001b: set QE per QER description above, then issue instruction 38h Bits 3:0 = 4-4-4 mode disable sequences= xxx1b: issue FFh instruction + 1xxb: issue the Soft Reset 66/99 sequence = 1001b Binary Fields: 11111111-1-101-1101-111101-1-00001-1001 Nibble Format: 1111_1111-1101-1101-1111_0110_0001-1001 Hex Format: FF_DD_F6_19

**Table 5.4 Basic SPI Flash Parameter, JEDEC SFDP Rev D (Sheet 5 of 5)**

SFDP Parameter Relative Byte Address	SFDP Dword Name	Data	Description
6Ch	JEDEC Basic Flash Parameter Dword-16	E8h	Bits 31:24 = Enter 4-Byte Addressing = xxxx_xxx1b:issue instruction B7 (preceding write enable not required)+ xx1x_xxxx: Supports dedicated 4-Byte address instruction set. Consult vendor data sheet for the instruction set definition or look for 4-Byte Address Parameter Table.= 0010_0101b supported Bits 23:14 = Exit 4-Byte Addressing= xx_xxxx_xxx1b:issue instruction E9h to exit 4-Byte address mode (Write enable instruction 06h is not required) + xx_xx1x_xxxx: Hardware reset + xx_x1xx_xxxx: Software reset (see bits 13:8 in this DWORD) + xx_1xxx_xxxx: Power cycle = 00_1110_0101b Bits 13:8 = Soft Reset and Rescue Sequence Support= x1_xxxx: issue reset enable instruction 66h, then issue reset instruction 99h. The reset enable, reset sequence may be issued on 1,2, or 4 wires depending on the device operating mode + 1x_xxxx: exit 0-4-4 mode is required prior to other reset sequences above if the device may be operating in this mode. = 11_0000b Bit 7 = RFU = 1 Bits 6:0 = Volatile or Non-Volatile Register and Write Enable Instruction for Status Register 1 = xxx_1xxx: Non-Volatile/Volatile status register 1 powers-up to last written value in the nonvolatile status register, use instruction 06h to enable write to non-volatile status register. Volatile status register may be activated after power-up to override the non-volatile status register, use instruction 50h to enable write and activate the volatile status register.+ x1x_xxxx: Reserved + 1xx_xxxx: Reserved = 1101000b Binary Fields: 00100101-0011100101-110000-1-1101000 Nibble Format: 0010_0101_0011_1001_0111_0000_1110_1000 Hex Format: 25_39_70_E8
6Dh		70h	
6Eh		39h	
6Fh		25h	

**Table 5.5 flash parameter**

SFDP Parameter Relative Byte Address	SFDP Dword Name	Data	Description	
70h	flash parameter Dword-1	00h	Bits 15:0 = VCC Supply Maximum Voltage	
71h		36h	2000h = 2.000 V      2700h = 2.700 V      3600h = 3.600 V	
72h		00h	Bits 31:16 = VCC Supply Minimum Voltage	
73h		27h	1650h = 1.650V      2250h = 2.250V 2350h = 2.350V      2700h = 2.700V	
74h	flash parameter Dword-2	9Fh	Bit 0 = HW Reset# pin ( 0=not support, 1=support ) = 1b Bit 1 = HW Hold# pin ( 0=not support, 1=support ) = 1b Bit 2 = Deep Power Down Mode ( 0=not support, 1=support ) = 1b Bit 3 = SW Reset ( 0=not support, 1=support ) = 1b Bits 11:4 = SW Reset Opcode: Should be issue Reset Enable(66H) before Reset cmd = 10011001b Bit 12 = Program Suspend/Resume ( 0=not support, 1=support ) = 1b Bit 13 = Erase Suspend/Resume ( 0=not support, 1=support ) = 1b Bit 14 = Unused = 1b Bit 15 = Wrap-Around Read mode ( 0=not support, 1=support ) = 1b Binary Fields: 1111_10011001_1111 Nibble Format: 1111_1001_1001_1111 Hex Format: F9_9F	
76h		77h	Wrap-Around Read mode Opcode	
77h		64h	Wrap-Around Read data length 08H:support 8B wrap-around read 16H:8B&16B 32H:8B&16B&32B 64H:8B&16B&32B&64B	
78h		flash parameter Dword-3	B1h	Bit 0 = Individual block lock ( 0=not support, 1=support ) = 1b Bit 1 = Individual block lock bit (Volatile/Nonvolatile) ( 0=Volatile, 1=Nonvolatile ) = 0b Bits 9:2 = Individual block lock Opcode = 00110110b Bit 10 = Individual block lock Volatile protect bit default protect status ( 0=protect, 1=unprotect ) = 0b Bit 11 = Secured OTP ( 0=not support, 1=support ) = 1b Bit 12 = Read Lock ( 0=not support, 1=support ) = 0b Bit 13 = Permanent Lock ( 0=not support, 1=support ) = 0b/1b(1) Bits 15:14 = Unused = 11b Binary Fields: 110(1)010_01101100_01 Nibble Format: 110(1)0_1001_1011_0001 Hex Format: C(E)9_B1
7Ah			FFh	Unused
7Bh	FFh		Unused	

**Note:**

(1)HG25Q256 support Permanent Lock.

## 6. FUNCTION DESCRIPTION

### 6.1 SPI Operations

#### 6.1.1 SPI Modes

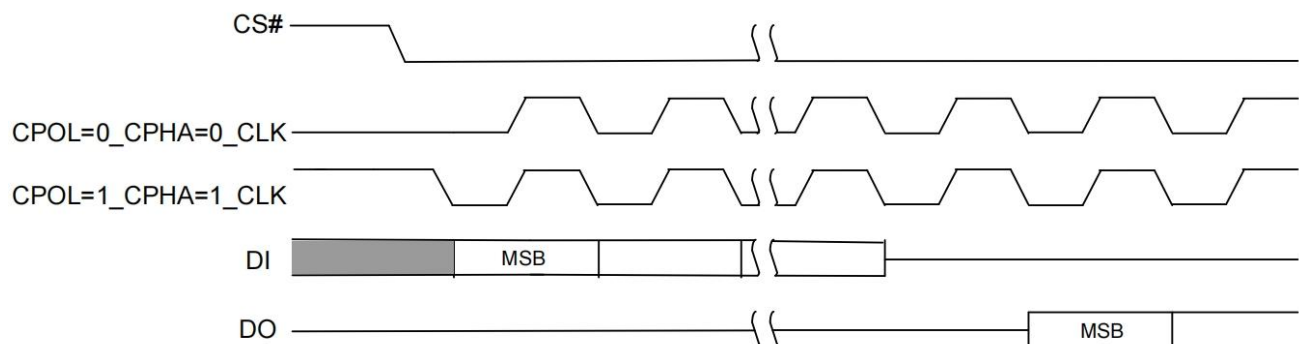
The HG25Q256 can be driven by an embedded microcontroller (bus master) in either of the two following clocking modes.

- Mode 0 with Clock Polarity (CPOL) = 0 and, Clock Phase (CPHA) = 0
- Mode 3 with CPOL = 1 and, CPHA = 1

For these two modes, input data is always latched in on the rising edge of the CLK signal and the output data is always available on the falling edge of the CLK clock signal.

The difference between the two modes is the clock polarity when the bus master is in standby mode and not transferring any data.

- CLK will stay at logic low state with CPOL = 0, CPHA = 0
- CLK will stay at logic high state with CPOL = 1, CPHA = 1



**Figure 6.1 SPI Modes**

Timing diagrams throughout the rest of the document are generally shown as both mode 0 and 3 by showing CLK as both high and low at the fall of CS#. In some cases a timing diagram may show only mode 0 with CLK low at the fall of CS#. In such case, mode 3 timing simply means clock is high at the fall of CS# so no CLK rising edge set up or hold time to the falling edge of CS# is needed for mode 3.

CLK cycles are measured (counted) from one falling edge of CLK to the next falling edge of CLK. In mode 0 the beginning of the first CLK cycle in a command is measured from the falling edge of CS# to the first falling edge of CLK because CLK is already low at the beginning of a command.

#### 6.1.2 Dual SPI Modes

The HG25Q256 supports Dual SPI Operation when using the Fast Read Dual Output (3Bh), Fast Read Dual Output with 4-Byte address (3Ch), Fast Read Dual I/O (BBh) and Fast Read Dual I/O with 4-Byte address (BCh) instruction. These features allow data to be transferred from the device at twice the rate possible with the standard SPI. These instructions are ideal for quickly downloading code to RAM upon Power-up (code-shadowing) or for executing non-speed-critical code directly from the SPI bus (XIP). When using Dual SPI commands, the DI and DO pins become bidirectional I/O pins: IO0 and IO1.

### 6.1.3 Quad SPI Modes

The HG25Q256 supports Quad SPI operation when using the Fast Read Quad Output (6Bh), Fast Read Quad Output with 4-Byte address (6Ch), Fast Read Quad I/O (EBh), Fast Read Quad I/O with 4-Byte address (ECh) instruction. These instructions allow data to be transferred to or from the device four times the rate of ordinary Serial Flash. The Quad Read instructions offer a significant improvement in continuous and random access transfer rates allowing fast code-shadowing to RAM or execution directly from the SPI bus (XIP). When using Quad SPI instructions, the DI and DO pins become bidirectional IO0 and IO1, and the WP# and HOLD# / RESET# pins become IO2 and IO3 respectively. Quad SPI instructions require the non-volatile Quad Enable bit (QE) in Status Register-2 to be set.

### 6.1.4 QPI Function

The HG25Q256 supports Quad Peripheral Interface (QPI) operations when the device is switched from Standard/Dual/Quad SPI mode to QPI mode using the “Enter QPI (38h)” instruction. The typical SPI protocol requires that the Byte-long instruction code being shifted into the device only via DI pin in eight serial clocks. The QPI mode utilizes all four IO pins to input the instruction code, thus only two serial clocks are required. This can significantly reduce the SPI instruction overhead and improve system performance in an XIP environment. Standard/Dual/Quad SPI mode and QPI mode are exclusive. Only one mode can be active at any given time. “Enter QPI (38h)” and “Exit QPI (FFh)” instructions are used to switch between these two modes. Upon power-up or after a software reset using “Reset (99h)” instruction, the default state of the device is Standard/Dual/Quad SPI mode. To enable QPI mode, the non-volatile Quad Enable bit (QE) in Status Register-2 is required to be set. When using QPI instructions, the DI and DO pins become bidirectional IO0 and IO1, and the WP# and HOLD# / RESET# pins become IO2 and IO3 respectively.

### 6.1.5 Hold Function

For Standard SPI and Dual SPI operations, the HOLD# / RESET# (IO3) signal allows the device interface operation to be paused while it is actively selected (when CS# is low). The Hold function may be useful in cases where the SPI data and clock signals are shared with other devices. For example, if the page buffer is only partially written when a priority interrupt requires use of the SPI bus, the Hold function can save the state of the interface and the data in the buffer so programming command can resume where it left off once the bus is available again. The Hold function is only available for standard SPI and Dual SPI operation, not during Quad SPI.

To initiate a Hold condition, the device must be selected with CS# low. A Hold condition will activate on the falling edge of the HOLD# signal if the CLK signal is already low. If the CLK is not already low the Hold condition will activate after the next falling edge of CLK. The Hold condition will terminate on the rising edge of the HOLD# signal if the CLK signal is already low. If the CLK is not already low the Hold condition will terminate after the next falling edge of CLK. During a Hold condition, the Serial Data Output, (DO) or IO0 and IO1, are high impedance and Serial Data Input, (DI) or IO0 and IO1, and Serial Clock (CLK) are ignored. The Chip Select (CS#) signal should be kept active (low) for the full duration of the Hold operation to avoid resetting the internal logic state of the device.

### 6.1.6 Software Reset & Hardware RESET# pin

The HG25Q256 can be reset to the initial power -on state by a software Reset sequence, either in SPI mode or QPI mode. This sequence must include two consecutive commands: Enable Reset (66h) & Reset (99h). If the command sequence is successfully accepted, the device will take approximately 20us (tRST) to reset. No command will be accepted during the reset period.

HG25Q256 can also be configured to utilize a hardware RESET# pin. The HRSW bit in the Status Register-3 is the configuration bit for HOLD# pin function or RESET# pin function. When HRSW=0 (factory



default), the pin acts as a HOLD# pin as described above; when HRSW =1, the pin acts as a RESET# pin. Drive the RESET# pin low for a minimum period of ~1us (tRESET\*) will reset the device to its initial power-on state. Any on-going Program / Erase operation will be interrupted and data corruption may happen. While RESET# is low, the device will not accept any command input.

If QE bit is set to 1, the HOLD# or RESET# function will be disabled, the pin will become one of the four data I/O pins. For the SOIC-16 package, HG25Q256 provides a dedicated RESET# pin in addition to the HOLD# (IO3) pin as illustrated in Figure 3.1. Drive the RESET# pin low for a minimum period of ~1us (tRESET\*) will reset the device to its initial power-on state. The HRSW bit or QE bit in the Status Register will not affect the function of this dedicated RESET# pin.

Hardware RESET# pin has the highest priority among all the input signals. Drive RESET# low for a minimum period of ~1us (tRESET\*) will interrupt any on-going external/internal operations, regardless the status of other SPI signals (CS#, CLK, DI, DO, WP# and/or HOLD#).

**Note:**

(1) While a faster RESET# pulse (as short as a few hundred nanoseconds) will often reset the device, a 1us minimum is recommended to ensure reliable operation.

### 6.1.7 3-Byte / 4-Byte Address Modes

The HG25Q256 provides two Address Modes that can be used to specify any Byte of data in the memory array. The 3-Byte Address Mode is backward compatible to older generations of serial flash memory that only support up to 128M-bit data. To address the 256M-bit or more data in 3-Byte Address Mode, Extended Address Register must be used in addition to the 3-Byte addresses.

4-Byte Address Mode is designed to support Serial Flash Memory devices from 256M-bit to 32G-bit. The extended Address Register is not necessary when the 4-Byte Address Mode is enabled.

Upon power up, the HG25Q256 can operate in either 3-Byte Address Mode or 4-Byte Address Mode, depending on the Non-Volatile Status Register Bit ADP (SR3[1]) setting. If ADP=0, the device will operate in 3-Byte Address Mode; if ADP=1, the device will operate in 4-Byte Address Mode. The factory default value for ADP is 0.

To switch between the 3-Byte or 4-Byte Address Modes, Enter 4-Byte Mode (B7h) or Exit 4-Byte Mode (E9h) instructions must be used. The current address mode is indicated by the Status Register Bit ADS (SR3[0]).

HG25Q256 also supports a set of basic SPI instructions which requires dedicated 4-Byte address regardless the device Address Mode setting. Please refer to Instruction Set Tables for details.

## 6.2 Status Register

The Read and Write Status Registers commands can be used to provide status and control of the flash memory device.

**Table 6.1 Status Register-1 (SR1)**

Bits	Field	Function	Type	Default State	Description
7	SRP0	Status Register Protect 0	Non-volatile and Volatile versions	0	Controls Status Register Protection configuration with SRP1. See details in Table 6.4 Status Register Protect.
6	TB	Top / Bottom protect		0	0 = BP3-BP0 protect from the Top down 1 = BP3-BP0 protect from the Bottom up
5	BP3	Block Protect Bits		0	0000b = No protection
4	BP2			0	
3	BP1			0	
2	BP0			0	
1	WEL	Write Enable Latch	Volatile, Read only	0	0 = Not Write Enabled, no embedded operation can start 1 = Write Enabled, embedded operation can start
0	BUSY	Embedded Operation Status	Volatile, Read only	0	0 = Not Busy, no embedded operation in progress 1 = Busy, embedded operation in progress

**Table 6.2 Status Register-2 (SR2)**

Bits	Field	Function	Type	Default State	Description
7	SUS1	Erase Suspend Status	Volatile, Read Only	0	0 = Erase not suspended 1 = Erase suspended
6	CMP	Complement Protect	Non-volatile and Volatile versions	0	0 = Normal Protection Map 1 = Complementary Protection Map
5	LB3	Security Register Lock Bits	OTP	0	OTP Lock Bits 3:1 for Security Registers 3:1 0 = Security Register not protected 1 = Security Register protected
4	LB2			0	
3	LB1			0	
2	SUS2	Program Suspend Status	Volatile, Read Only	0	0 = Program not suspended 1 = Program suspended
1	QE	Quad Enable	Non-volatile and Volatile versions	0	0 = Quad Mode Not Enabled, the WP# pin and HOLD# / RESET# are enabled 1 = Quad Mode Enabled, the IO2 and IO3 pins are enabled, and WP# and HOLD# / RESET# functions are disabled
0	SRP1	Status Register Protect 1		0	Controls Status Register Protection configuration with SRP0. See details in Table 6.4 Status Register Protect.

**Table 6.3 Status Register-3 (SR3)**

Bits	Field	Function	Type	Default State	Description
7	HRSW	HOLD# or RESET# function	Non-volatile and volatile versions	0	When HRSW=0, the pin acts as HOLD#; when HRSW=1, the pin acts as RESET#. HRSW functions are only available when QE=0.
6	DRV1	Output Driver Strength		0	The DRV1 & DRV0 bits are used to determine the output driver strength for the Read operations.
5	DRV0			0	
4	EE	Erase Error Bit	Volatile, Read only	0	The EE can indicate an erase failure, and it will be set to attempt to erase a protected array sector or access the locked OTP space.
3	PE	Program Error Bit	Volatile, Read only	0	The PE can indicate a program failure, and it will be set to attempt to program a protected array sector or access the locked OTP space.
2	WPS	Write Protect Selection	Non-volatile and Volatile versions	0	When WPS=0, the device will use the combination of CMP, SEC, TB, BP[2:0] bits to protect a specific area of the memory array. When WPS=1, the device will utilize the Individual Block Locks to protect any individual sector or blocks.
1	ADP	Power Up Address Mode	Non-volatile versions	0	When ADP=0, the device will power up into 3-Byte Address Mode. When ADP=1, the device will power up into 4-Byte Address Mode
0	ADS	Current Address Mode	Volatile, Read only	0	0 = 3 - Byte Address Mode 1 = 4 - Byte Address Mode

### 6.2.1 BUSY

BUSY is a read only bit in the status register (SR1) which is set to a “1” state when the device is executing a Page Program, Sector Erase, Block Erase, Chip Erase or Write Status Register instruction. During this time the device will ignore further instructions except for the Read Status Register instruction (see  $t_w$ ,  $t_{pp}$ ,  $t_{se}$ ,  $t_{be}$ , and  $t_{ce}$  in AC Characteristics). When the program, erase or write status register instruction has completed, the BUSY bit will be cleared to a “0” state indicating the device is ready for further instructions.

### 6.2.2 Write Enable Latch (WEL)

Write Enable Latch (WEL) is a read only bit in the status register (SR1) which is set to a 1 after executing a Write Enable Instruction. The WEL status bit is cleared to a 0 when the device is written disabled. A write disable state occurs upon power-up or after any of the following instructions: Write Disable, Page Program, Sector Erase, Block Erase, Chip Erase and Write Status Register

### 6.2.3 Block Protect Bits (BP3, BP2, BP1, BP0)

The Block Protect Bits (BP3, BP2, BP1, BP0) are non-volatile read / write bits in the Status Register (SR1) that provide Write Protection control and status. Block Protect bits can be set using the Write Status Registers Command (see tW in Section 8.6). All, none or a portion of the memory array can be protected from Program and Erase commands (see Section 6.4.2, Block Protection Maps). The factory default setting for the Block Protection Bits is 0 (none of the array is protected.)

### 6.2.4 Top / Bottom Block Protect (TB)

The non-volatile Top / Bottom bit (TB) controls whether the Block Protect Bits (BP3, BP2, BP1, BP0) protect from the Top (TB=0) or the Bottom (TB=1) of the array as shown in Section 6.4.2, Block Protection Maps. The factory default setting is TB=0. The TB bit can be set with the Write Status Registers Command depending on the state of the SRP0, SRP1 and WEL bits.

### 6.2.5 The Status Register Protect (SRP1, SRP0)

The Status Register Protect bits (SRP1 and SRP0) are non-volatile read / write bits in the Status Register (SR2 and SR1). The SRP bits control the method of write protection: software protection, hardware protection, power supply lock-down, or one time programmable (OTP) protection.

**Table 6.4 Status Register Protect**

SRP1	SRP0	WP#	Status Register	Description
0	0	X	Software Protection	WP# pin has no control. SR1, SR2 and SR3 can be written to after a Write Enable command, WEL=1. [Factory Default]
0	1	0	Hardware Protected	When WP# pin is low the SR1, SR2 and SR3 are locked and cannot be written.
0	1	1	Hardware Unprotected	When WP# pin is high SR1, SR2 and SR3 are unlocked and can be written to after a Write Enable command, WEL=1.
1	0	X	Power Supply Lock Down	SR1, SR2 and SR3 are protected and cannot be written to again until the next power-down, power-up cycle. (1)
1	1	X	One Time Program <sup>(2)</sup>	SR1, SR2 and SR3 are permanently protected and cannot be written.

**Notes:**

(1) When SRP1, SRP0 = (1, 0), a power-down, power-up, or Software Reset cycle will change SRP1, SRP0 to (0, 0) state.

(2) The One-Time Program feature is available upon special order.

### 6.2.6 Quad Enable (QE)

The Quad Enable (QE) bit is a non-volatile read / write bit in the Status Register (SR2) that allows Quad SPI operation. When the QE bit is set to a 0 state (factory default), the WP# pin and HOLD# / RESET# are enabled. When the QE bit is set to a 1, the Quad IO2 and IO3 pins are enabled, and WP# and HOLD# / RESET# functions are disabled.

### 6.2.7 Erase / Program Suspend Status (SUS1, SUS2)

The Suspend Status bit is a read only bit in the status register (SR2) that is set to 1 after executing an Erase / Program Suspend (75h) command. The SUS status bits are cleared to 0 by Erase / Program Resume (7Ah), software reset (66h+99h) command as well as a power-down, power-up cycle.

### 6.2.8 HOLD# or RESET# Pin Function (HRSW)

The HRSW bit is used to determine whether HOLD# or RESET# function should be implemented on the hardware pin for 8-pin packages. When HRSW=0, the pin acts as #HOLD; when HRSW=1, the pin acts as RESET#. However, HOLD# or RESET# functions are only available when QE=0. If QE is set to 1, the HOLD# and RESET# functions are disabled, the pin acts as a dedicated data I/O pin.

### 6.2.9 Security Register Lock Bits (LB3, LB2, LB1)

The Security Register Lock Bits (LB3, LB2, LB1) are non-volatile One Time Program (OTP) bits in Status Register (SR2) that provide the write protect control and status to the Security Registers. The default state of LB[3:1] is 0, Security Registers 1 to 3 are unlocked. LB[3:1] can be set to 1 individually using the Write Status Registers command. LB[3:1] are One Time Programmable (OTP), once it's set to 1, the corresponding 1024-Byte Security Register will become read-only permanently.

### 6.2.10 Complement Protect (CMP)

The Complement Protect bit (CMP SR2[6]) is a non-volatile read / write bit in the Status Register (SR2[6]). It is used in conjunction with SEC, TB, BP3, BP2, BP1 and BP0 bits to provide more flexibility for the array protection. Once CMP is set to 1, previous array protection set by SEC, TB, BP3, BP2, BP1 and BP0 will be reversed. For instance, when CMP=0, a top 4-KB sector can be protected while the rest of the array is not; when CMP=1, the top 4-KB sector will become unprotected while the rest of the array become read-only. Refer to Section 6.4.2, Block Protection Maps for details. The default setting is CMP=0.

### 6.2.11 Output Driver Strength (DRV1, DRV0)

The DRV1 & DRV0 bits are used to determine the output driver strength for the Read operations.

DRV1, DRV0	Driver Strength
0, 0	50%
0, 1	25%
1, 0	75%
1, 1	100%

### 6.2.12 Write Protect Selection (WPS)

The WPS bit is used to select which Write Protect scheme should be used. When WPS=0, the device will use the combination of CMP, SEC, TB, BP[2:0] bits to protect a specific area of the memory array. When WPS=1, the device will utilize the Individual Block Locks to protect any individual sector or blocks. The default value for all Individual Block Lock bits is 1 upon device power on or after reset.

### 6.2.13 Program Error (PE) bit

The Program Error (PE) bit is a read-only bit that indicates a program failure. It will also be set when the user attempts to program a protected array sector or access the locked OTP space. PE is cleared to "0" after program operation resumes.

### 6.2.14 Erase Error (EE) bit

The Erase Error (EE) bit is a read-only bit that indicates an erase failure. It will also be set when the user attempts to erase a protected array sector or access the locked OTP space. EE is cleared to "0" after erase operation resumes.

### 6.2.15 Current Address Mode (ADS)

The Current Address Mode bit is a read only bit in the Status Register-3 that indicates which address mode the device is currently operating in. When ADS=0, the device is in the 3-Byte Address Mode, when ADS=1, the device is in the 4-Byte Address Mode.

### 6.2.16 Power - Up Address Mode (ADP)

The ADP bit is a non-volatile bit that determines the initial address mode when the device is powered on or reset. This bit is only used during the power on or device reset initialization period, and it is only writable by the non-volatile Write Status sequence (06h). When ADP=0 (default), the device will power up into 3-Byte Address Mode, the Extended Address Register must be used to access memory regions beyond 128Mb. When ADP=1, the device will power up into 4-Byte Address Mode directly.

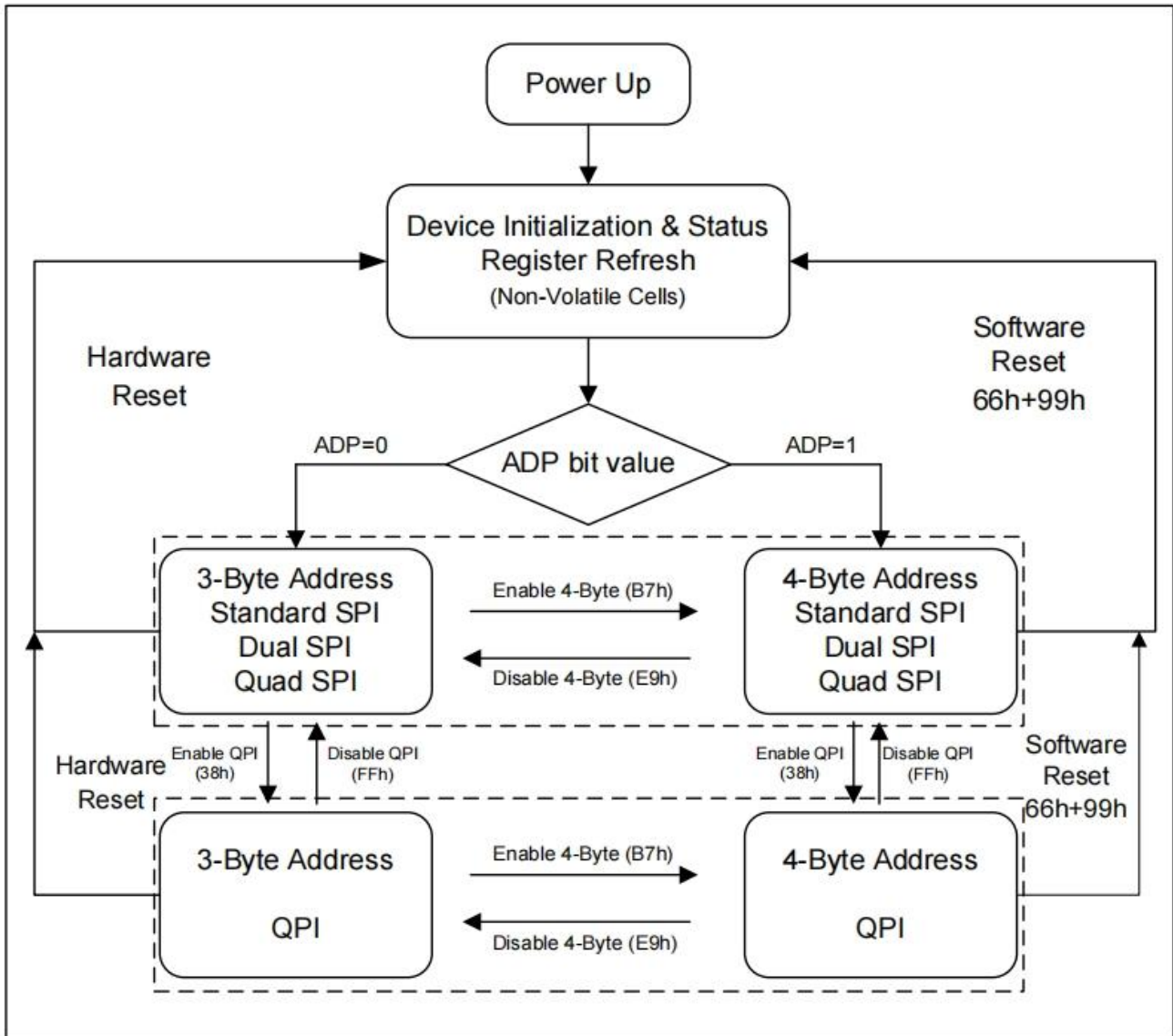


Figure 6.2 HG25Q256 Serial Flash Memory Operation Diagram

## 6.3 Extended Address Register

Table 6.5 Extended Address Register (EAR)

Bits	Field	Function	Type	Default State	Description
7	Reserve	Reserve	Reserve	NA	Reserve
6	Reserve	Reserve	Reserve	NA	Reserve
5	Reserve	Reserve	Reserve	NA	Reserve
4	Reserve	Reserve	Reserve	NA	Reserve
3	Reserve	Reserve	Reserve	NA	Reserve
2	Reserve	Reserve	Reserve	NA	Reserve
1	Reserve	Reserve	Reserve	NA	Reserve
0	A24	Address Bit	Volatile Writable	0	A24 = 0 : Select lower 128Mb A24 = 1 : Select upper 128Mb

In addition to the Status Registers, HG25Q256 provides a volatile Extended Address Register which consists of the configuration bits for advanced features and the MSB address bit A24. Upon power up or after the execution of a Software/Hardware Reset, the Extended Address Register values will be cleared to 0.

### 6.3.1 A24 bit

The Extended Address Bit A24 is used only when the device is operating in the 3-Byte Address Mode (ADS=0), which is volatile writable by C5h command. The lower 128Mb memory array (00000000h – 00FFFFFFh) is selected when A24=0, all instructions with 3-Byte addresses will be executed within that region. When A24=1, the upper 128Mb memory array (01000000h – 01FFFFFFh) will be selected.

If the device powers up with ADP bit set to 1, or Enter 4-Byte Address Mode (B7h) instruction is issued, the device will require 4-Byte address input for all address related instructions, and the Extended Address Bit A24 setting will be ignored. However, any command with 4-Byte address input will replace the Extended Address Bit A24 with new settings.

## 6.4 Write Protection

Applications that use non-volatile memory must take into consideration the possibility of noise and other adverse system conditions that may compromise data integrity. To address this concern the HG25Q256 provides the following data protection mechanisms:

### 6.4.1 Write Protect Features

- Device resets when VCC is below threshold
- Time delay write disable after Power-Up
- Write enable / disable commands and automatic write disable after erase or program
- Command length protection
  - All commands that Write, Program or Erase must complete on a Byte boundary (CS# driven high after a full 8 bits have been clocked) otherwise the command will be ignored.
- Software and Hardware write protection using Status Register control
  - WP# input protection
  - Lock Down write protection for Status Registers until next power-up or Software Reset
  - One-Time Program (OTP) write protection for Security Registers
- Write Protection using the Deep Power-Down command

Upon power-up or at power-down, the HG25Q256 will maintain a reset condition while VCC is below the threshold value of VWI, (see Figure 8.1). While reset, all operations are disabled and no commands are recognized. During power-up and after the VCC voltage exceeds VCC(min), all commands are further disabled for a time delay of  $t_{VSL}$ . Note that the chip select pin (CS#) must track the VCC supply level at power-up until the VCC-min level and  $t_{VSL}$  time delay is reached. If needed a pull-up resistor on CS# can be used to accomplish this.

After power-up the device is automatically placed in a write-disabled state with the Status Register Write Enable Latch (WEL) set to a 0. A Write Enable command must be issued before a Page Program, Sector Erase, Block Erase, Chip Erase or Write Status Registers command will be accepted. After completing a program, erase or write command the Write Enable Latch (WEL) is automatically cleared to a write-disabled state of 0.

Software controlled main flash array write protection is facilitated using the Write Status Registers command to write the Status Register and Block Protect (TB, BP3, BP2, BP1 and BP0) bits.

The BP method allows a portion or the entire memory array to be configured as read only. Used in conjunction with the Write Protect (WP#) pin, changes to the Status Register can be enabled or disabled under hardware control. See the Table 6.4 for further information.

Additionally, the Deep Power-Down (DPD) command offers an alternative means of data protection as all commands are ignored during the DPD state, except for the Release from Deep-Power-Down (ABh) or Software Reset(66h+99h) command. Thus, preventing any program or erase during the DPD state.

The HG25Q256 also provides another Write Protect method using the Individual Block Locks. Each 64KB block (except the top and bottom blocks, total of 510 blocks) and each 4KB sector within the top/bottom blocks (total of 32 sectors) are equipped with an Individual Block Lock bit. When the lock bit is 0, the corresponding sector or block can be erased or programmed; when the lock bit is set to 1, Erase or Program instructions issued to the corresponding sector or block will be ignored. When the device is powered on, all Individual Block Lock bits will be 1, so the entire memory array is protected from Erase/Program. An "Individual Block Unlock (39h)" instruction must be issued to unlock any specific sector or block.

The WPS bit in Status Register-3 is used to decide which Write Protect scheme should be used. When WPS=0 (factory default), the device will only utilize CMP, TB, SEC, BP[2:0] bits to protect specific areas of the array; when WPS=1, the device will utilize the Individual Block Locks for write protection.



**6.4.2 Block Protection Maps**
**Table 6.6 HG25Q256 Block Protection(WPS=0,CMP=0)**

Status Register <sup>(1)</sup>					HG25Q256(256 Mbit) Block Protection(CMP=0) <sup>(2)</sup>			
TB	BP3	BP2	BP1	BP0	Protected Block(s)	Protected Addresses	Protected Density	Protected Portion
X	0	0	0	0	None	None	None	None
0	0	0	0	1	511	01FF0000h – 01FFFFFFh	64 KB	Upper 1/512
0	0	0	1	0	510 thru 511	01FE0000h – 01FFFFFFh	128 KB	Upper 1/256
0	0	0	1	1	508 thru 511	01FC0000h – 01FFFFFFh	256 KB	Upper 1/128
0	0	1	0	0	504 thru 511	01F80000h – 01FFFFFFh	512 KB	Upper 1/64
0	0	1	0	1	496 thru 511	01F00000h – 01FFFFFFh	1 MB	Upper 1/32
0	0	1	1	0	480 thru 511	01E00000h – 01FFFFFFh	2 MB	Upper 1/16
0	0	1	1	1	448 thru 511	01C00000h – 01FFFFFFh	4 MB	Upper 1/8
0	1	0	0	0	384 thru 511	01800000h – 01FFFFFFh	8 MB	Upper 1/4
0	1	0	0	1	256 thru 511	01000000h – 01FFFFFFh	16 MB	Upper 1/2
1	0	0	0	1	0	00000000h – 0000FFFFh	64 KB	Lower 1/512
1	0	0	1	0	0 thru 1	00000000h – 0001FFFFh	128 KB	Lower 1/256
1	0	0	1	1	0 thru 3	00000000h – 0003FFFFh	256 KB	Lower 1/128
1	0	1	0	0	0 thru 7	00000000h – 0007FFFFh	512 KB	Lower 1/64
1	0	1	0	1	0 thru 15	00000000h – 000FFFFFFh	1 MB	Lower 1/32
1	0	1	1	0	0 thru 31	00000000h – 001FFFFFFh	2 MB	Lower 1/16
1	0	1	1	1	0 thru 63	00000000h – 003FFFFFFh	4 MB	Lower 1/8
1	1	0	0	0	0 thru 127	00000000h – 007FFFFFFh	8 MB	Lower 1/4
1	1	0	0	1	0 thru 255	00000000h – 00FFFFFFh	16 MB	Lower 1/2
X	1	1	0	X	0 thru 511	00000000h – 01FFFFFFh	32 MB	All
X	1	X	1	X	0 thru 511	00000000h – 01FFFFFFh	32 MB	All

**Notes:**

(1) X = don't care.

(2) If any Erase or Program command specifies a memory region that contains protected data portion, this command will be ignored.

**Table 6.7 HG25Q256 Block Protection(WPS=0,CMP=1)**

Status Register <sup>(1)</sup>					HG25Q256(256 Mbit) Block Protection(CMP=1) <sup>(2)</sup>			
TB	BP3	BP2	BP1	BP0	Protected Block(s)	Protected Addresses	Protected Density	Protected Portion
X	0	0	0	0	ALL	00000000h – 01FFFFFFh	ALL	ALL
0	0	0	0	1	0 thru 510	00000000h – 01FEFFFFh	32,704 KB	Lower 511/512
0	0	0	1	0	0 thru 509	00000000h – 01FDFFFFh	32,640 KB	Lower 255/256
0	0	0	1	1	0 thru 507	00000000h – 01FBFFFFh	32,512 KB	Lower 127/128
0	0	1	0	0	0 thru 503	00000000h – 01F7FFFFh	32,256 KB	Lower 63/64
0	0	1	0	1	0 thru 495	00000000h – 01EFFFFFh	31 MB	Lower 31/32
0	0	1	1	0	0 thru 479	00000000h – 01DFFFFFh	30 MB	Lower 15/16
0	0	1	1	1	0 thru 447	00000000h – 01BFFFFFh	28 MB	Lower 7/8
0	1	0	0	0	0 thru 383	00000000h – 017FFFFFh	24 MB	Lower 3/4
0	1	0	0	1	0 thru 255	00000000h – 00FFFFFFh	16 MB	Lower 1/2
1	0	0	0	1	1 thru 511	00010000h – 01FFFFFFh	32,704 KB	Upper 511/512
1	0	0	1	0	2 thru 511	00020000h – 01FFFFFFh	32,640 KB	Upper 255/256
1	0	0	1	1	4 thru 511	00040000h – 01FFFFFFh	32,512 KB	Upper 127/128
1	0	1	0	0	8 thru 511	00080000h – 01FFFFFFh	32,256 KB	Upper 63/64
1	0	1	0	1	16 thru 511	00100000h – 01FFFFFFh	31 MB	Upper 31/32
1	0	1	1	0	32 thru 511	00200000h – 01FFFFFFh	30 MB	Upper 15/16
1	0	1	1	1	64 thru 511	00400000h – 01FFFFFFh	28 MB	Upper 7/8
1	1	0	0	0	128 thru 511	00800000h – 01FFFFFFh	24 MB	Upper 3/4
1	1	0	0	1	256 thru 511	01000000h – 01FFFFFFh	16 MB	Upper 1/2
X	1	1	0	X	NONE	NONE	NONE	NONE
X	1	X	1	X	NONE	NONE	NONE	NONE

**Notes:**

(1) X = don't care.

(2) If any Erase or Program command specifies a memory region that contains protected data portion, this command will be ignored.

### 6.4.3 Individual Block Memory Protection (WPS=1)

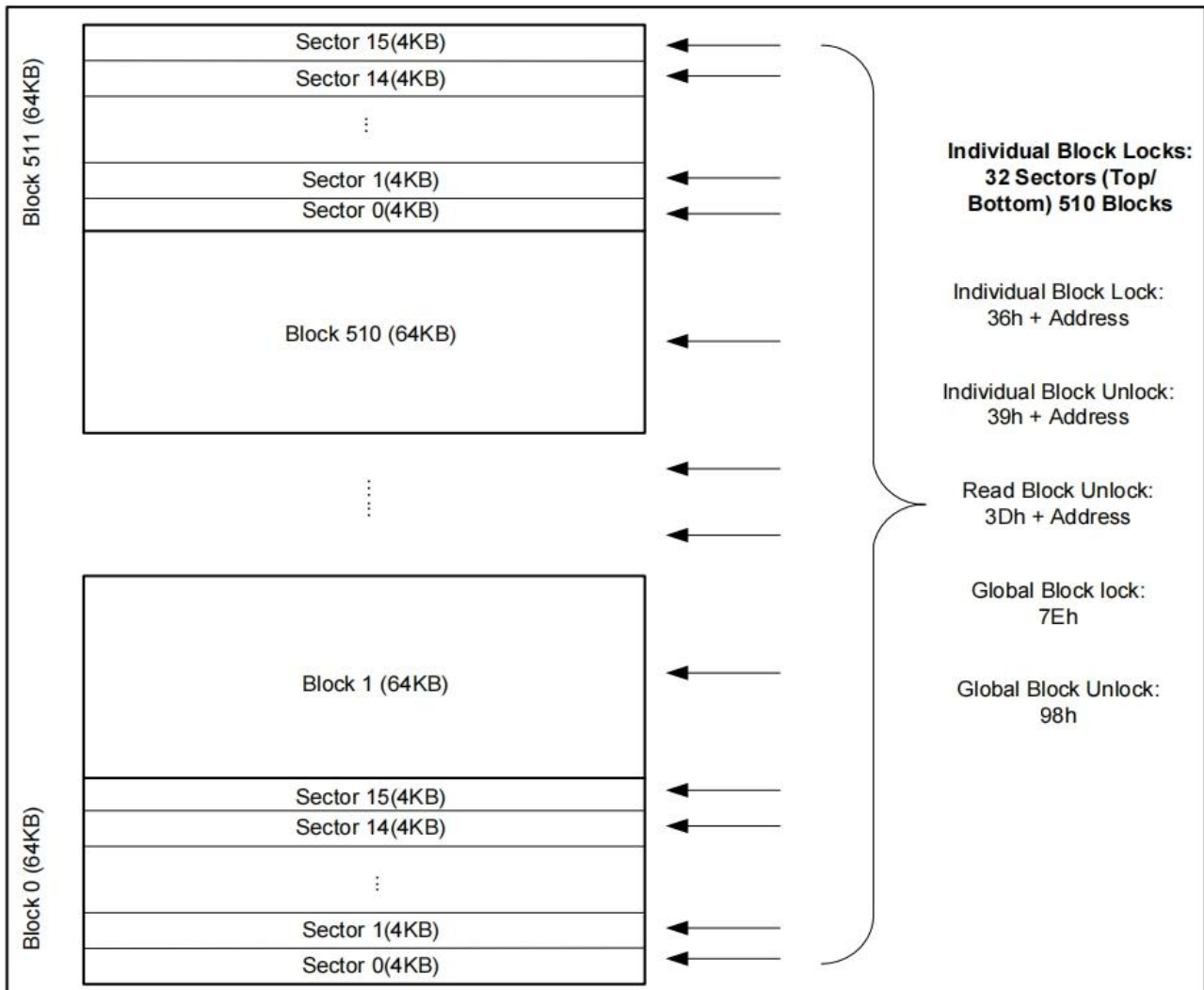


Figure 6.3 Individual Block/Sector Locks

**Notes:**

- (1) Individual Block/Sector protection is only valid when WPS=1.
- (2) All individual block/sector lock bits are set to 1 by default after power up, all memory array is protected.

### 6.5 Page Program

To program one data Byte, two instructions are required: Write Enable (WREN), which is one Byte, and a Page Program (PP) sequence, which consists of four Bytes plus data. This is followed by the internal Program cycle (of duration tPP). To spread this overhead, the Page Program (PP) instruction allows up to 256 Bytes to be programmed at a time (changing bits from 1 to 0), provided that they lie in consecutive addresses on the same page of memory.

### 6.6 Sector Erase, Block Erase and Chip Erase

The Page Program (PP) instruction allows bits to be reset from 1 to 0. Before this can be applied, the Bytes of memory need to be erased to all 1s (FFh). This can be achieved a sector at a time, using the Sector Erase (SE) instruction, a block at a time using the Block Erase (BE) instruction or throughout the entire memory, using the Chip Erase (CE) instruction. This starts an internal Erase cycle (of duration tSE tBE or tCE). The Erase instruction must be preceded by a Write Enable (WREN) instruction.

---

## 6.7 Polling during a Write, Program or Erase Cycle

A further improvement in the time to Write Status Register (WRSR), Program (PP) or Erase (SE, BE or CE) can be achieved by not waiting for the worst case delay ( $t_W$ ,  $t_{PP}$ ,  $t_{SE}$ ,  $t_{BE}$  or  $t_{CE}$ ). The Write In Progress (BUSY) bit is provided in the Status Register so that the application program can monitor its value, polling it to establish when the previous Write cycle, Program cycle or Erase cycle is complete.

## 6.8 Active Power, Stand-by Power and Deep Power-Down Modes

When Chip Select (CS#) is Low, the device is enabled, and in the Active Power mode. When Chip Select (CS#) is High, the device is disabled, but could remain in the Active Power mode until all internal cycles have completed (Program, Erase, Write Status Register). The device then goes into the Standby Power mode. The device consumption drops to ICC1.

The Deep Power-down mode is entered when the specific instruction (the Enter Deep Power-down Mode (DP) instruction) is executed. The device consumption drops further to ICC2. The device remains in this mode until another specific instruction (the Release from Deep Power-down Mode and Read Device ID (RDI) instruction) is executed.

All other instructions are ignored while the device is in the Deep Power-down mode. This can be used as an extra software protection mechanism, when the device is not in active use, to protect the device from inadvertent Program or Erase instructions.

## 7. INSTRUCTIONS

The instruction set of the HG25Q256 consists of 87 basic instructions that are fully controlled through the SPI bus. Instructions are initiated with the falling edge of Chip Select (CS#). The first Byte of data clocked into the DI input provides the instruction code. Data on the DI input is sampled on the rising edge of clock with most significant bit (MSB) first.

The QPI instruction set of the HG25Q256 consists of 44 basic instructions that are fully controlled through the SPI bus (see Instruction Set Table 7.4-7.6). Instructions are initiated with the falling edge of Chip Select (CS#). The first Byte of data clocked through IO[3:0] pins provides the instruction code. Data on all four IO pins are sampled on the rising edge of clock with most significant bit (MSB) first. All QPI instructions, addresses, data and dummy Bytes are using all four IO pins to transfer every Byte of data with every two serial clocks (CLK).

Instructions vary in length from a single Byte to several Bytes and may be followed by address Bytes, data Bytes, dummy Bytes (don't care), and in some cases, a combination. Instructions are completed with the rising edge of edge CS#. Clock relative timing diagrams for each instruction are included in figures 7.1 through 7.61. All read instructions can be completed after any clocked bit. However, all instructions that Write, Program or Erase must complete on a Byte boundary (CS# driven high after a full 8-bits have been clocked) otherwise the instruction will be ignored. This feature further protects the device from inadvertent writes. Additionally, while the memory is being programmed or erased, or when the Status Register is being written, all instructions except for Read Status Register and Erase / Program Suspend will be ignored until the program or erase cycle completes.

**Table 7.1 Command Set (Standard/Dual/Quad SPI, 3-Byte & 4-Byte Address Mode)**

Command Name	BYTE 1 (Instruction)	BYTE 2	BYTE 3	BYTE 4	BYTE 5	BYTE 6	BYTE 7
Read Status Register-1	05h	SR1[7:0] <sup>(2)</sup>					
Read Status Register-2	35h	SR2[7:0] <sup>(2)</sup>					
Read Status Register-3	15h	SR3[7:0] <sup>(2)</sup>					
Write Enable	06h						
Write Enable for Volatile Status Register	50h						
Write Disable	04h						
Write Status Registers-1	01h	SR1[7:0]					
Write Status Registers	01h	SR1[7:0] <sup>(5)</sup>	SR2[7:0]	SR3[7:0]			
Write Status Registers-2	31h	SR2[7:0]					
Write Status Registers-3	11h	SR3[7:0]					
Set Burst with Wrap	77h	xxh	xxh	xxh	W[7:0] <sup>(3)</sup>		
Deep Power-down	B9h						
Release Deep Power down	ABh						
Read Device ID	ABh	dummy	dummy	dummy	Device ID <sup>(10)</sup>		
Manufacturer/ Device ID(2)	90h	dummy	dummy	00h(11)	Manufacturer	Device ID	
Manufacturer/ Device ID by Dual I/O	92h	A23—A8	A7—A0,M[7:0]	(MF[7:0], ID[7:0])			
Manufacturer/ Device ID by Quad I/O	94h	A23—A0, M[7:0]	XXXX,(MF[7:0], ID[7:0])	(MF[7:0], ID[7:0]...)			
JEDEC ID	9Fh	Manufacturer	Memory Type	Capacity			
Read SFDP Register	5Ah	A23—A16	A15—A8	A7—A0	dummy	(D7—D0,...)	
Page Program with 4-Byte Address	12h	A31—A24	A23—A16	A15—A8	A7—A0	D7—D0	
Quad Page Program with 4-Byte Address	34h	A31—A24	A23—A16	A15—A8	A7—A0	D7—D0(4)	

Command Name	BYTE 1 (Instruction)	BYTE 2	BYTE 3	BYTE 4	BYTE 5	BYTE 6	BYTE 7
Sector Erase (4 KB) with 4-Byte Address	21h	A31—A24	A23—A16	A15—A8	A7—A0		
Block Erase (32 KB) with 4-Byte Address	5Ch	A31—A24	A23—A16	A15—A8	A7—A0		
Block Erase (64 KB) with 4-Byte Address	DCh	A31—A24	A23—A16	A15—A8	A7—A0		
Chip Erase	C7h/60h						
Erase / Program Suspend	75h						
Erase / Program Resume	7Ah						
Enter QPI Mode	38h						
Enable Reset	66h						
Reset Device	99h						
Read Extended Address Reg.	C8h	EA7—EA0					
Write Extended Address Reg.	C5h	EA7—EA0					
Enter 4-Byte Address Mode	B7h						
Exit 4-Byte Address Mode	E9h						
Read Data with 4-Byte Address	13h	A31—A24	A23—A16	A15—A8	A7—A0	(D7—D0,...)	
Fast Read with 4-Byte Address	0Ch	A31—A24	A23—A16	A15—A8	A7—A0	dummy	(D7—D0,...)
Fast Read Dual Output with 4-Byte Address	3Ch	A31—A24	A23—A16	A15—A8	A7—A0	dummy	(D7—D0,...) <sup>(6)</sup>
Fast Read Quad Output with 4-Byte Address	6Ch	A31—A24	A23—A16	A15—A8	A7—A0	dummy	(D7—D0,...) <sup>(8)</sup>
Fast Read Dual I/O with 4-Byte Address	BCh	A31—A16	A15—A0 <sup>(7)</sup>	M7—M0, (D7—D0)			
Fast Read Quad I/O with 4-Byte Address	ECh	A31—A0 <sup>(9)</sup>	M7—M0, dummy, dummy, (D7—D0)				

**Table 7.2 Command Set (Standard/Dual/Quad SPI, 3-Byte Address Mode)**

Command Name	BYTE 1 (Instruction)	BYTE 2	BYTE 3	BYTE 4	BYTE 5	BYTE 6	BYTE 7
Read Data	03h	A23—A16	A15—A8	A7—A0	(D7—D0,...)		
Fast Read	0Bh	A23—A16	A15—A8	A7—A0	dummy	(D7—D0,...)	
Fast Read Dual Output	3Bh	A23—A16	A15—A8	A7—A0	dummy	(D7—D0,...) <sup>(6)</sup>	
Fast Read Quad Output	6Bh	A23—A16	A15—A8	A7—A0	dummy	(D7—D0,...) <sup>(8)</sup>	
Fast Read Dual I/O	BBh	A23—A8 <sup>(7)</sup>	A7—A0, M7—M0 <sup>(7)</sup>	(D7—D0,...) <sup>(6)</sup>			
Fast Read Quad I/O	EBh	A23—A0, M7—M0 <sup>(9)</sup>	(x,x,x,x,D7—D0,...)	(D7—D0,...) <sup>(8)</sup>			
Page Program	02h	A23—A16	A15—A8	A7—A0	D7—D0		
Quad Page Program	32h	A23—A16	A15—A8	A7—A0	D7—D0 <sup>(4)</sup>		
Sector Erase (4 KB)	20h	A23—A16	A15—A8	A7—A0			
Block Erase (32 KB)	52h	A23—A16	A15—A8	A7—A0			
Block Erase (64 KB)	D8h	A23—A16	A15—A8	A7—A0			
Read Security Registers <sup>(12)</sup>	48h	A23—A16	A15—A8	A7—A0	dummy	(D7—D0,...)	
Individual Block/Sector Lock	36h	A23—A16	A15—A8	A7—A0			
Individual Block/Sector Unlock	39h	A23—A16	A15—A8	A7—A0			
Read Block/Sector Lock	3Dh	A23—A16	A15—A8	A7—A0	L7—L0		
Global Block/Sector Lock	7Eh						
Global Block/Sector Unlock	98h						
Erase Security Registers <sup>(12)</sup>	44h	A23—A16	A15—A8	A7—A0			
Program Security Registers <sup>(12)</sup>	42h	A23—A16	A15—A8	A7—A0	D7—D0,...		
Read Unique ID	4Bh	00h	00h	00h	dummy	(ID127-ID0)	



**Table 7.3 Command Set (Standard/Dual/Quad SPI, 4-Byte Address Mode)**

Command Name	BYTE 1 (Instruction)	BYTE 2	BYTE 3	BYTE 4	BYTE 5	BYTE 6	BYTE 7
Read Data	03h	A31—A24	A23—A16	A15—A8	A7—A0	(D7—D0,...)	
Fast Read	0Bh	A31—A24	A23—A16	A15—A8	A7—A0	dummy	(D7—D0,...)
Fast Read Dual Output	3Bh	A31—A24	A23—A16	A15—A8	A7—A0	dummy	(D7—D0,...) <sup>(6)</sup>
Fast Read Quad Output	6Bh	A31—A24	A23—A16	A15—A8	A7—A0	dummy	(D7—D0,...) <sup>(8)</sup>
Fast Read Dual I/O	BBh	A31—A16 <sup>(7)</sup>	A15—A0 <sup>(7)</sup>	M7—M0 <sup>(7)</sup> , dummy	(D7—D0,...) <sup>(6)</sup>		
Fast Read Quad I/O	EBh	A31—A0 <sup>(9)</sup>	M7—M0 <sup>(9)</sup> (x,x,x,x,D7—D0,.. ..)				
Page Program	02h	A31—A24	A23—A16	A15—A8	A7—A0	D7—D0	
Quad Page Program	32h	A31—A24	A23—A16	A15—A8	A7—A0	D7—D0 <sup>(4)</sup>	
Sector Erase (4 KB)	20h	A31—A24	A23—A16	A15—A8	A7—A0		
Block Erase (32 KB)	52h	A31—A24	A23—A16	A15—A8	A7—A0		
Block Erase (64 KB)	D8h	A31—A24	A23—A16	A15—A8	A7—A0		
Read Security Registers	48h	A31—A24	A23—A16	A15—A8	A7—A0	dummy	(D7—D0,...)
Individual Block/Sector Lock	36h	A31—A24	A23—A16	A15—A8	A7—A0		
Individual Block/Sector Unlock	39h	A31—A24	A23—A16	A15—A8	A7—A0		
Read Block/Sector Lock	3Dh	A31—A24	A23—A16	A15—A8	A7—A0	L7—L0	
Global Block/Sector Lock	7Eh						
Global Block/Sector Unlock	98h						
Erase Security Registers	44h	A31—A24	A23—A16	A15—A8	A7—A0		
Program Security Registers	42h	A31—A24	A23—A16	A15—A8	A7—A0	D7—D0,...	
Read Unique ID	4Bh	00h	00h	00h	00h	dummy	(ID127-ID0)

**Table 7.4 Command Set (QPI Instructions <sup>(1)</sup>, QPI 3-Byte & 4-Byte Address Mode)**

Command Name	BYTE 1 (Instruction)	BYTE 2	BYTE 3	BYTE 4	BYTE 5	BYTE 6	BYTE 7
Clock Number	(0, 1)	(2, 3)	(4, 5)	(6, 7)	(8, 9)	(10, 11)	
Write Enable	06h						
Write Enable for Volatile Status Register	50h						
Write Disable	04h						
Read Status Register-1	05h	(S7-S0) <sup>(2)</sup>					
Write Status Register-1(3)	01h	(S7-S0) <sup>(3)</sup>	(S15-S8)	(S23-S16)			
Read Status Register-2	35h	(S15-S8) <sup>(2)</sup>					
Write Status Register-2	31h	(S15-S8)					
Read Status Register-3	15h	(S23-S16) <sup>(2)</sup>					
Write Status Register-3	11h	(S23-S16)					
Chip Erase	C7h/60h						
Erase / Program Suspend	75h						
Erase / Program Resume	7Ah						
Deep Power-down	B9h						
Set Read Parameters	C0h	P7-P0					
Release Power down / ID	ABh	Dummy	Dummy	Dummy	(ID7-ID0) <sup>(10)</sup>		
Manufacturer/Device ID	90h	Dummy	Dummy	00h	(MF7-MF0)	(ID7-ID0)	
JEDEC ID	9Fh	(MF7-MF0)	(ID15-ID8)	(ID7-ID0)			
Exit QPI Mode	FFh						
Enable Reset	66h						
Reset Device	99h						
Read Extended Address Reg.	C8h						
Write Extended Address Reg.	C5h						
Enter 4-Byte Address Mode	B7h						
Exit 4-Byte Address Mode	E9h						

**Table 7.5 Command Set (QPI Instructions <sup>(1)</sup>, QPI 3-Byte Address Mode)**

Command Name	BYTE 1 (Instruction)	BYTE 2	BYTE 3	BYTE 4	BYTE 5	BYTE 6	BYTE 7
Clock Number	(0, 1)	(2, 3)	(4, 5)	(6, 7)	(8, 9)	(10, 11)	
Page Program	02h	A23-A16	A15-A8	A7-A0	D7-D0	D7-D0 <sup>(15)</sup>	
Sector Erase (4KB)	20h	A23-A16	A15-A8	A7-A0			
Block Erase (32KB)	52h	A23-A16	A15-A8	A7-A0			
Block Erase (64KB)	D8h	A23-A16	A15-A8	A7-A0			
Fast Read	0Bh	A23-A16	A15-A8	A7-A0	Dummy <sup>(13)</sup>	D7-D0	
Burst Read with Wrap <sup>(14)</sup>	0Ch	A23-A16	A15-A8	A7-A0	Dummy <sup>(13)</sup>	D7-D0	
Fast Read Quad I/O	EBh	A23-A16	A15-A8	A7-A0	M7-M0 <sup>(13)</sup>	D7-D0	

**Table 7.6 Command Set (QPI Instructions (1), QPI 4-Byte Address Mode)**

Command Name	BYTE 1 (Instruction)	BYTE 2	BYTE 3	BYTE 4	BYTE 5	BYTE 6	BYTE 7
Clock Number	(0, 1)	(2, 3)	(4, 5)	(6, 7)	(8, 9)	(10, 11)	(12, 13)
Page Program	02h	A31-A24	A23-A16	A15-A8	A7-A0	D7-D0	D7-D0 <sup>(15)</sup>
Sector Erase (4KB)	20h	A31-A24	A23-A16	A15-A8	A7-A0		
Block Erase (32KB)	52h	A31-A24	A23-A16	A15-A8	A7-A0		
Block Erase (64KB)	D8h	A31-A24	A23-A16	A15-A8	A7-A0		
Fast Read	0Bh	A31-A24	A23-A16	A15-A8	A7-A0	Dummy <sup>(13)</sup>	D7-D0
Burst Read with Wrap <sup>(14)</sup>	0Ch	A31-A24	A23-A16	A15-A8	A7-A0	Dummy <sup>(13)</sup>	D7-D0
Fast Read Quad I/O	EBh	A31-A24	A23-A16	A15-A8	A7-A0	M7-M0 <sup>(13)</sup>	D7-D0

**Notes:**

- (1) Data Bytes are shifted with Most Significant Bit first. Byte fields with data in parenthesis “( )” indicate data being read from the device on the DO pin.
- (2) Status Register contents will repeat continuously until CS# terminates the command.
- (3) Set Burst with Wrap Input format.  
 IO0 = x, x, x, x, x, x, W4, x  
 IO1 = x, x, x, x, x, x, W5, x  
 IO2 = x, x, x, x, x, x, W6, x  
 IO3 = x, x, x, x, x, x, x, x
- (4) Quad Page Program Input Data:  
 IO0 = (D4, D0, ...)  
 IO1 = (D5, D1, ...)  
 IO2 = (D6, D2, ...)  
 IO3 = (D7, D3, ...)
- (5) The 01h command could continuously write up to three Bytes to registers SR1, SR2, SR3.
- (6) Dual Output data  
 IO0 = (D6, D4, D2, D0)  
 IO1 = (D7, D5, D3, D1)
- (7) Dual Input Address  
 IO0 = A22, A20, A18, A16, A14, A12, A10, A8, A6, A4, A2, A0, M6, M4, M2, M0  
 IO1 = A23, A21, A19, A17, A15, A13, A11, A9, A7, A5, A3, A1, M7, M5, M3, M1
- (8) Quad Output Data  
 IO0 = (D4, D0, .....)  
 IO1 = (D5, D1, .....)  
 IO2 = (D6, D2, .....)  
 IO3 = (D7, D3, .....)
- (9) Quad Input Address  
 IO0 = A20, A16, A12, A8, A4, A0, M4, M0  
 IO1 = A21, A17, A13, A9, A5, A1, M5, M1  
 IO2 = A22, A18, A14, A10, A6, A2, M6, M2  
 IO3 = A23, A19, A15, A11, A7, A3, M7, M3
- (10) The Device ID will repeat continuously until CS# terminates the command.
- (11) Legacy Device Identification Commands on page 65 for Device ID information. The 90h instruction is followed by an address. Address = 0 selects Manufacturer ID as the first returned data as shown in the table. Address = 1 selects Device ID as the first returned data followed by Manufacturer ID.
- (12) Security Register Address:  
 Security Register 1: A23-16 = 00h; A15-10 = 000100b; A9-0 = Byte address  
 Security Register 2: A23-16 = 00h; A15-10 = 001000b; A9-0 = Byte address  
 Security Register 3: A23-16 = 00h; A15-10 = 001100b; A9-0 = Byte address  
 The number of dummy clocks for QPI Fast Read, QPI Fast Read Quad I/O & QPI Burst Read with Wrap is controlled by read parameter P7 – P4.
- (13) The wrap around length for QPI Burst Read with Wrap is controlled by read parameter P3 – P0.
- (14) At least one Byte of data input is required for Page Program, Quad Page Program and Program Security Registers, up to 256 Bytes of data input. If more than 256 Bytes of data are sent to the device, the addressing will wrap to the beginning of the page and overwrite previously sent data.

Table 7.7 (1) Manufacturer and Device Identification(SPI and QPI Mode)

OP Code	Data1	Data2	Data3
ABh	Device ID = 18h	-	-
90h/92h/94h	Manufacturer ID = 5E	Device ID = 18h	-
9Fh	Manufacturer ID = 5E	Memory Type =40h	Capacity = 19h

Notes:

(1) Please contact sales for more information.

## 7.1 Configuration and Status Commands

### 7.1.1 Read Status Register (05h/35h/15h)

The Read Status Register commands allow the 8-bit Status Registers to be read. The command is entered by driving CS# low and shifting the instruction code “05h” for Status Register-1, “35h” for Status Register-2, “15h” for Status Register-3 into the DI pin on the rising edge of CLK. The Status Register bits are then shifted out on the DO pin at the falling edge of CLK with most significant bit (MSB) first as shown in Figure 7.1. The Status Register bits are shown in Section 6.2, Status Registers.

The Read Status Register-1 (05h) command may be used at any time, even during a Program, Erase, or Write Status Registers cycle. This allows the BUSY status bit to be checked to determine when the operation is complete and if the device can accept another com.

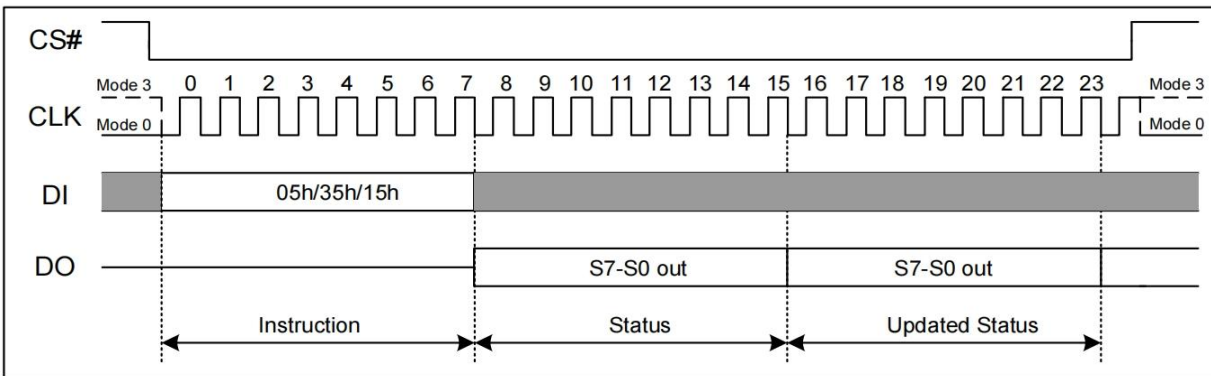


Figure 7.1a Read Status Register Instruction (SPI Mode)

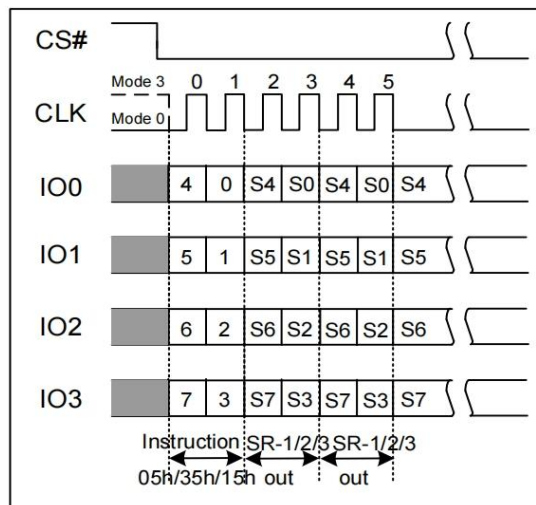


Figure 7.1b Read Status Register Instruction (QPI Mode)

### 7.1.2 Write Enable (06h)

The Write Enable instruction (Figure 7.2) sets the Write Enable Latch (WEL) bit in the Status Register to a 1. The WEL bit must be set prior to every Page Program, Sector Erase, Block Erase, Chip Erase and Write Status Register instruction. The Write Enable instruction is entered by driving CS# low, shifting the instruction code “06h” into the Data Input (DI) pin on the rising edge of CLK, and then driving CS# high.

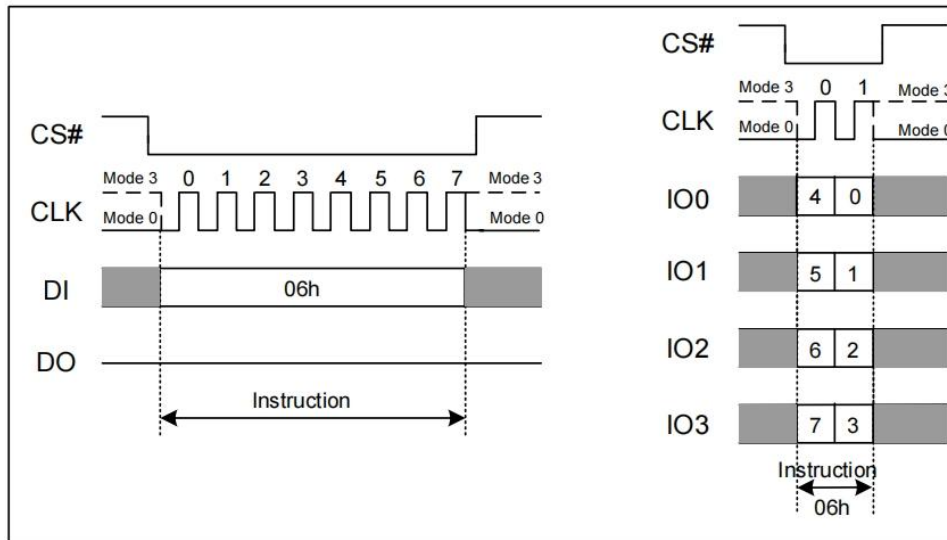


Figure 7.2 Write Enable Instruction (SPI or QPI Mode)

### 7.1.3 Write Enable for Volatile Status Register (50h)

The non-volatile Status Register bits described in section 6.2 can also be written to as volatile bits. This gives more flexibility to change the system configuration and memory protection schemes quickly without waiting for the typical non-volatile bit write cycles or affecting the endurance of the Status Register non-volatile bits. To write the volatile values into the Status Register bits, the Write Enable for Volatile Status Register (50h) instruction must be issued prior to a Write Status Register instruction. Write Enable for Volatile Status Register instruction (Figure 7.3) will not set the Write Enable Latch (WEL) bit, it is only valid for the Write Status Register instruction to change the volatile Status Register bit values.

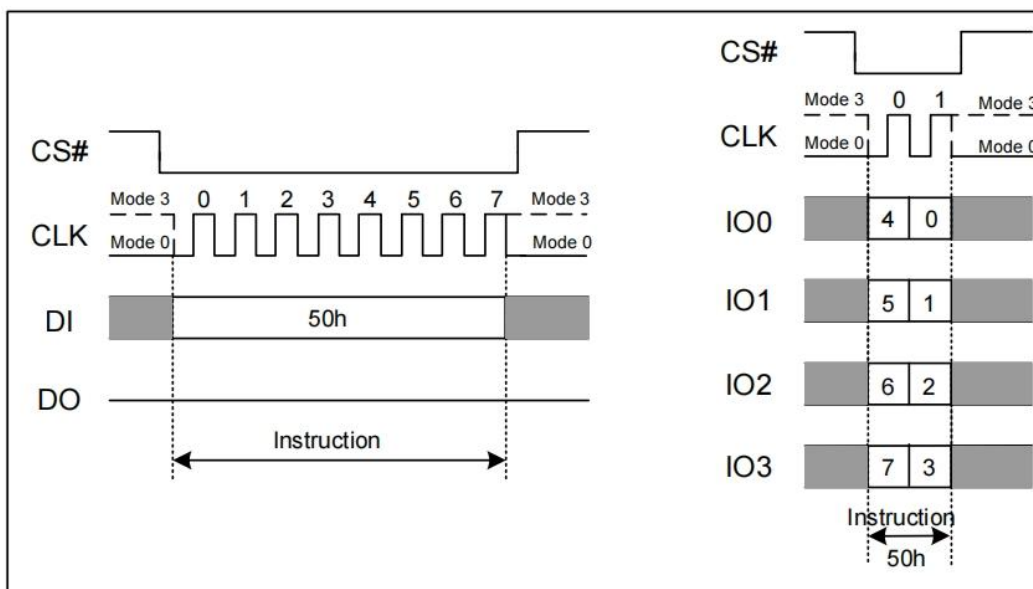


Figure 7.3 Write Enable for Volatile Status Register Instruction (SPI or QPI Mode)

### 7.1.4 Write Disable (04h)

The Write Disable instruction (Figure 7.4) resets the Write Enable Latch (WEL) bit in the Status Register to a 0. The Write Disable instruction is entered by driving CS# low, shifting the instruction code “04h” into the DI pin and then driving CS# high. Note that the WEL bit is automatically reset after Power-up and upon completion of the Write Status Register, Page Program, Sector Erase, Block Erase and Chip Erase instructions.

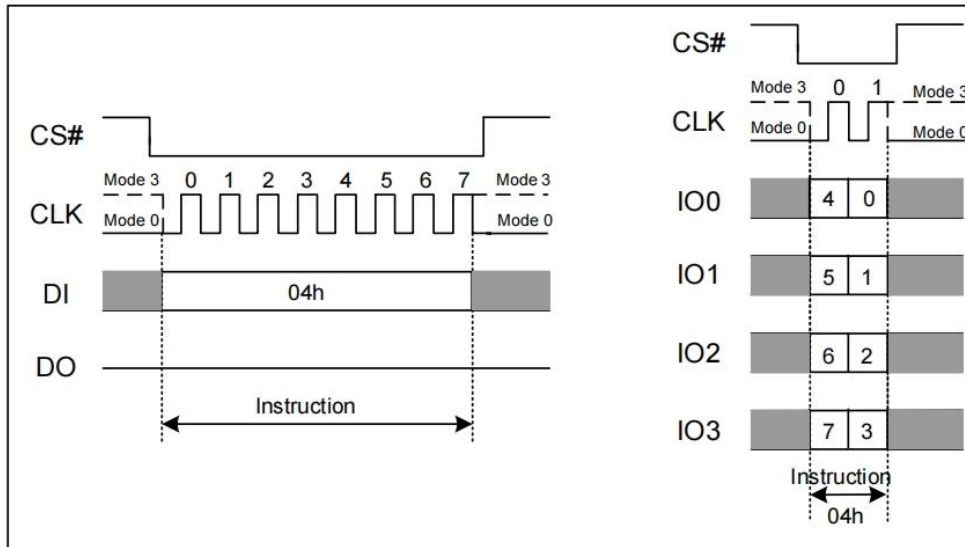


Figure 7.4 Write Disable Instruction (SPI or QPI Mode)

### 7.1.5 Write Status Register (01h/31h/11h)

The Write Status Registers command allows the Status Registers to be written. Only non-volatile Status Register bits SRP0, TB, BP3, BP2, BP1, BP0, LB [3:1], QE, SRP1, and HRSW, DRV [1:0], ADP can be written. All other Status Register bit locations are read-only and will not be affected by the Write Status Registers command. LB [1:0] are non-volatile OTP bits; once each is set to 1, it cannot be cleared to 0. The Status Register bits are shown in Section 6.2, Status Registers. Any reserved bits should only be written to their default value.

To write non-volatile Status Register bits, a standard Write Enable (06h) command must previously have been executed for the device to accept the Write Status Registers Command (Status Register bit WEL must equal 1). Once write enabled, the command is entered by driving CS# low, sending the instruction code “01h”, and then writing the Status Register data Bytes as illustrated in Figure 7.5.

To write volatile Status Register bits, a Write Enable for Volatile Status Register (50h) command must have been executed prior to the Write Status Registers command (Status Register bit WEL remains 0). However, SRP1 and LB3, LB2, LB1 cannot be changed because of the OTP protection for these bits. Upon power-off, the volatile Status Register bit values will be lost, and the non-volatile Status Register bit values will be restored when power on again.

CS# must be driven high after the 8th, 16th or 24th bit of the data Byte has been latched in. If not, the Write Status Register(WRSR) command is not executed.

During non-volatile Status Register write operation (06h combined with 01h/31h/11h), after CS# is driven high, the self-timed Write Status Register cycle will commence for a time duration of tW (See AC Characteristics). While the Write Status Register cycle is in progress, the Read Status Register instruction may still be accessed to check the status of the BUSY bit. The BUSY bit is a 1 during the Write Status Register cycle and a 0 when the cycle is finished and ready to accept other instructions again. After the Write Status Register cycle has finished, the Write Enable Latch (WEL) bit in the Status Register will be cleared to 0.

During volatile Status Register write operation (50h combined with 01h/31h/11h), after CS# is driven high, the Status Register bits will be refreshed to the new values BUSY bit will remain 0 during the Status Register bit refresh period.

If CS# is driven high after the eighth clock, the Write Status Register-1 (01h) instruction will only program the Status Register-1, the Status Register-2&3 will not be affected.

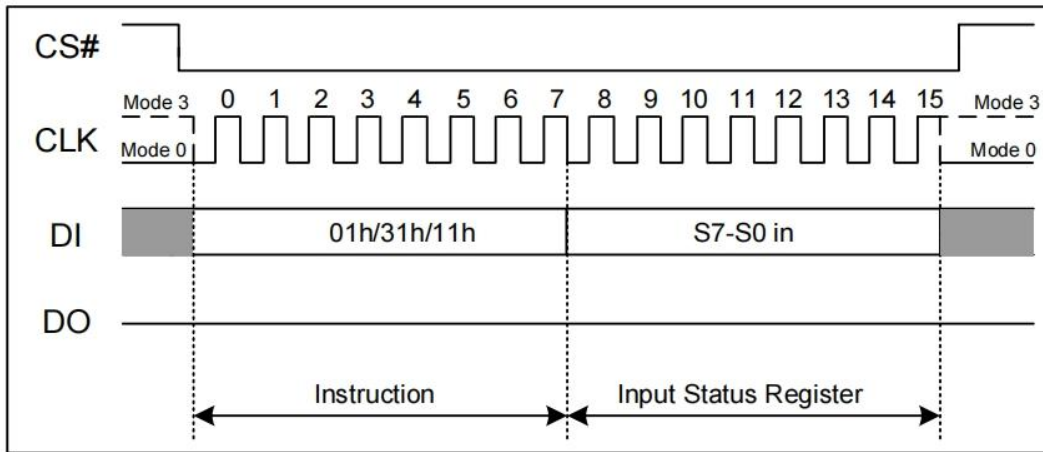


Figure 7.5a Write Status Register Instruction(SPI Mode)

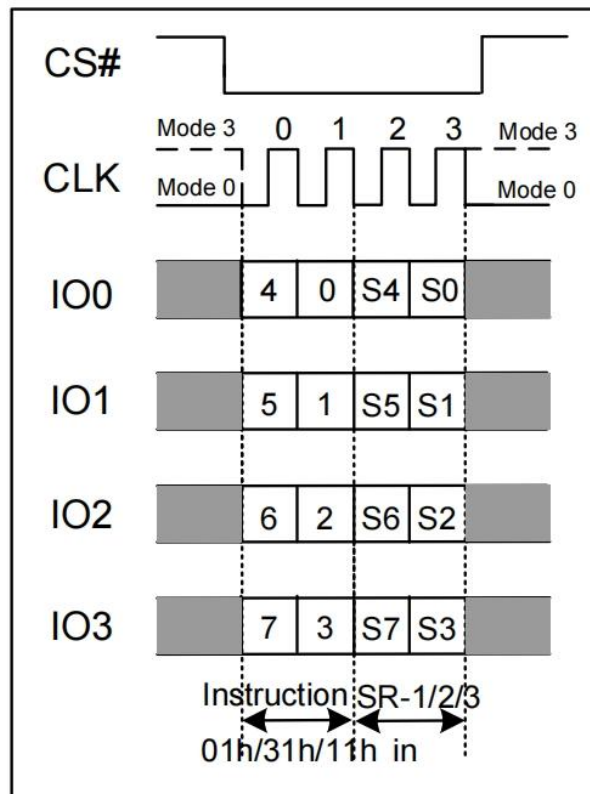


Figure 7.5b Write Status Register Instruction (QPI Mode)

### 7.1.6 Read Extended Address Register (C8h)

When the device is in the 3-Byte Address Mode, the Extended Address Register is used as the 4th address Byte A[31:24] to access memory regions beyond 128Mb. The Read Extended Address Register instruction is entered by driving CS# low and shifting the instruction code “C8h” into the DI pin on the rising edge of CLK. The Extended Address Register bits are then shifted out on the DO pin at the falling edge of CLK with most significant bit (MSB) first as shown in Figure 7.6.

When the device is in the 4-Byte Address Mode, the Extended Address Register is not used.

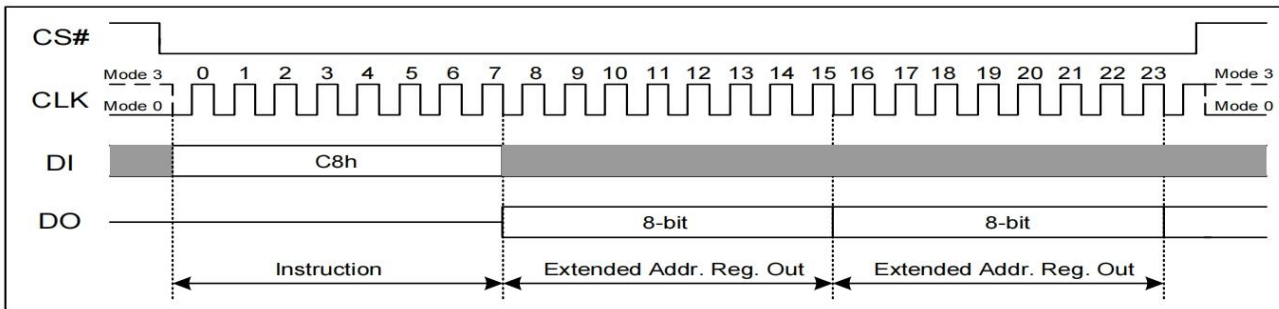


Figure 7.6a Read Extended Address Register Instruction (SPI Mode)

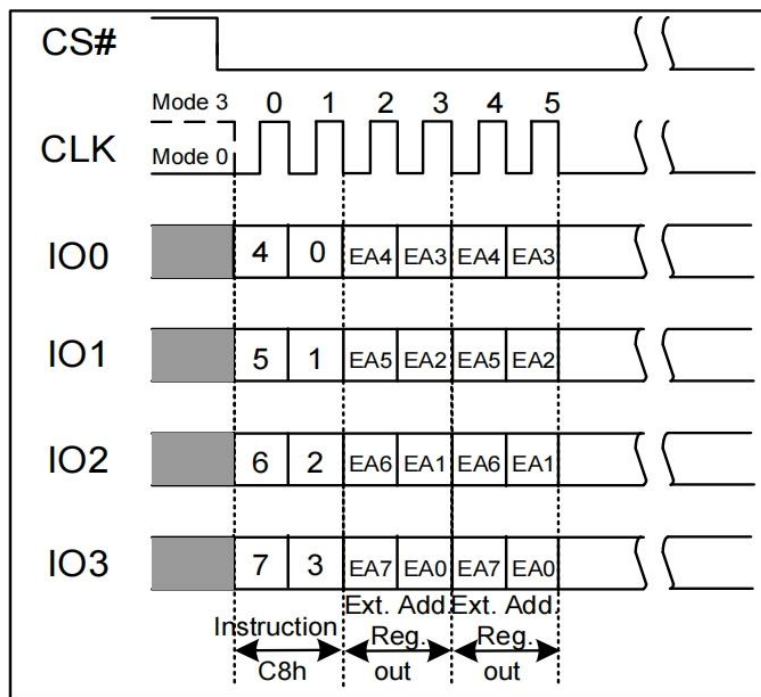


Figure 7.6b Read Extended Address Register Instruction (QPI Mode)

### 7.1.7 Write Extended Address Register (C5h)

The Extended Address Register is a volatile register that stores the 4th Byte address (A31-A24) when the device is operating in the 3-Byte Address Mode (ADS=0). To write the Extended Address Register bits, a Write Enable (06h) instruction must previously have been executed for the device to accept the Write Extended Address Register instruction (Status Register bit WEL must equal 1). Once write enabled, the instruction is entered by driving CS# low, sending the instruction code “C5h”, and then writing the Extended Address Register data Byte as illustrated in Figure 7.7.



Upon power up or the execution of a Software / Hardware Reset, the Extended Address Register bit values will be cleared to 0.

The Extended Address Register is only effective when the device is in the 3-Byte Address Mode. When the device operates in the 4-Byte Address Mode (ADS=1), any command with address input of A31-A24 will replace the Extended Address Register values. It is recommended to check and update the Extended Address Register if necessary when the device is switched from 4-Byte to 3-Byte Address Mode.

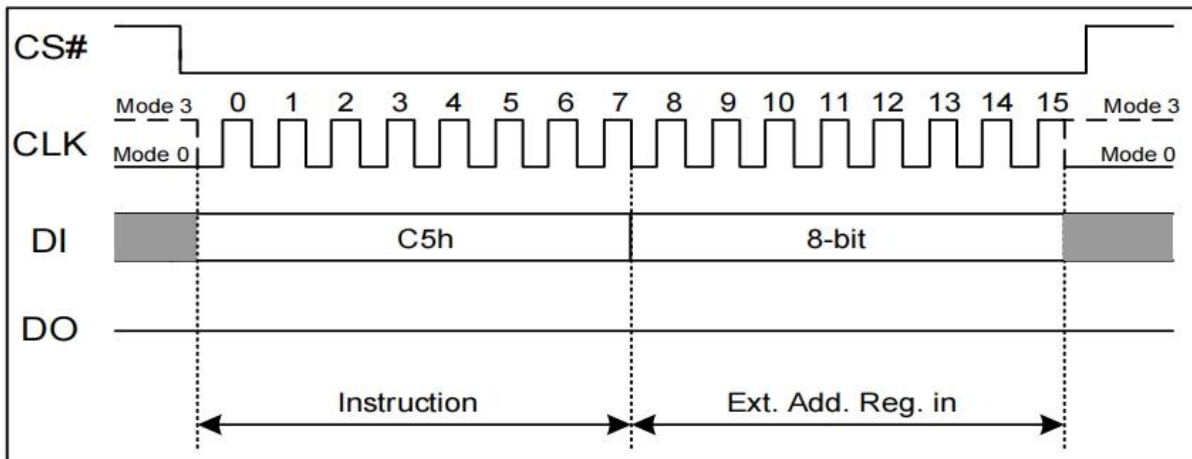


Figure 7.7a Write Extended Address Register Instruction (SPI Mode)

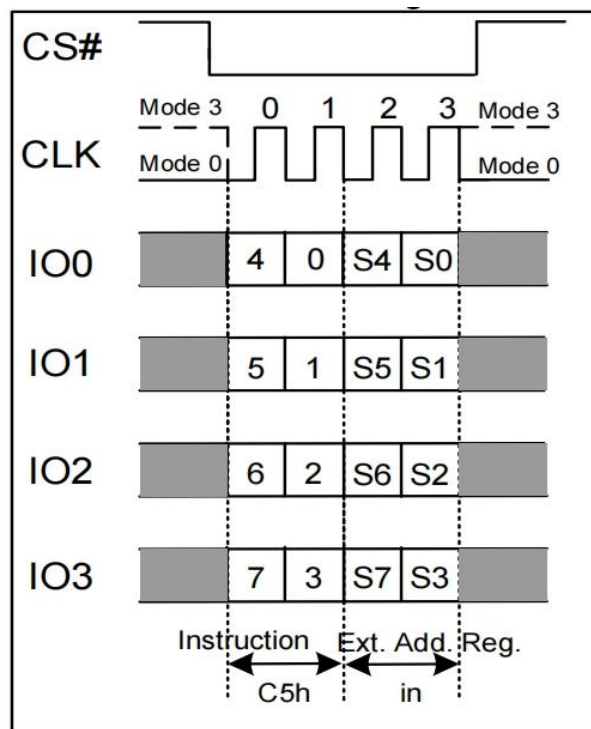


Figure 7.7b Write Extended Address Register Instruction (QPI Mode)

### 7.1.8 Enter 4-Byte Address Mode (B7h)

The Enter 4-Byte Address Mode instruction (Figure 7.8) will allow 32-bit address (A31-A0) to be used to access the memory array beyond 128Mb. The Enter 4-Byte Address Mode instruction is entered by driving CS# low, shifting the instruction code “B7h” into the DI pin and then driving CS# high.

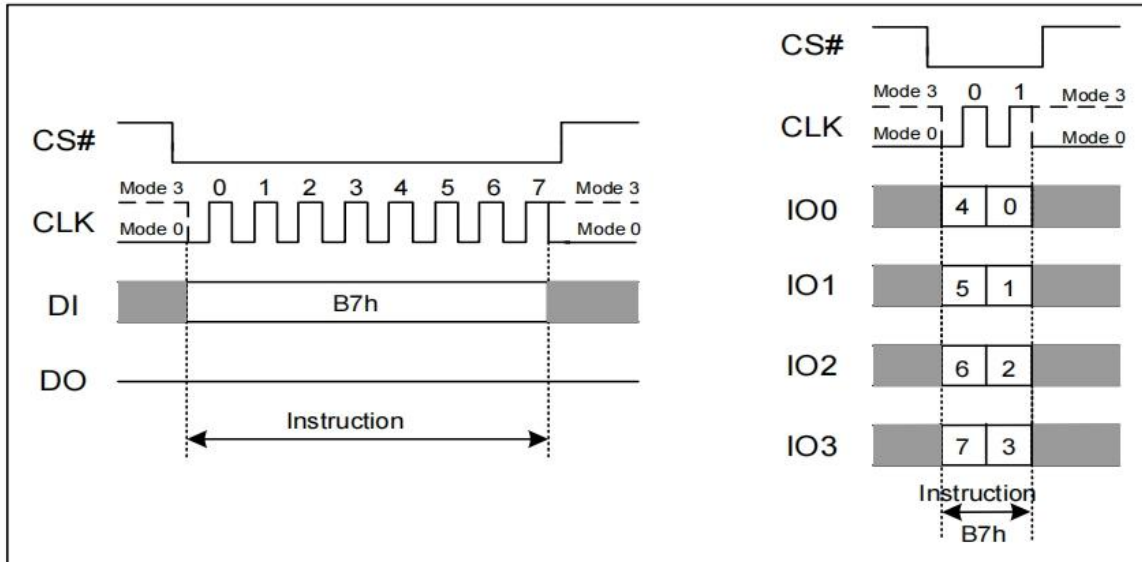


Figure 7.8 Enter 4-Byte Address mode Instruction (SPI or QPI Mode)

### 7.1.9 Exit 4-Byte Address Mode (E9h)

In order to be backward compatible, the Exit 4-Byte Address Mode instruction (Figure 7.9) will only allow 24-bit address (A23-A0) to be used to access the memory array up to 128Mb. The Extended Address Register must be used to access the memory array beyond 128Mb. The Exit 4-Byte Address Mode instruction is entered by driving CS# low, shifting the instruction code “E9h” into the DI pin and then driving CS# high.

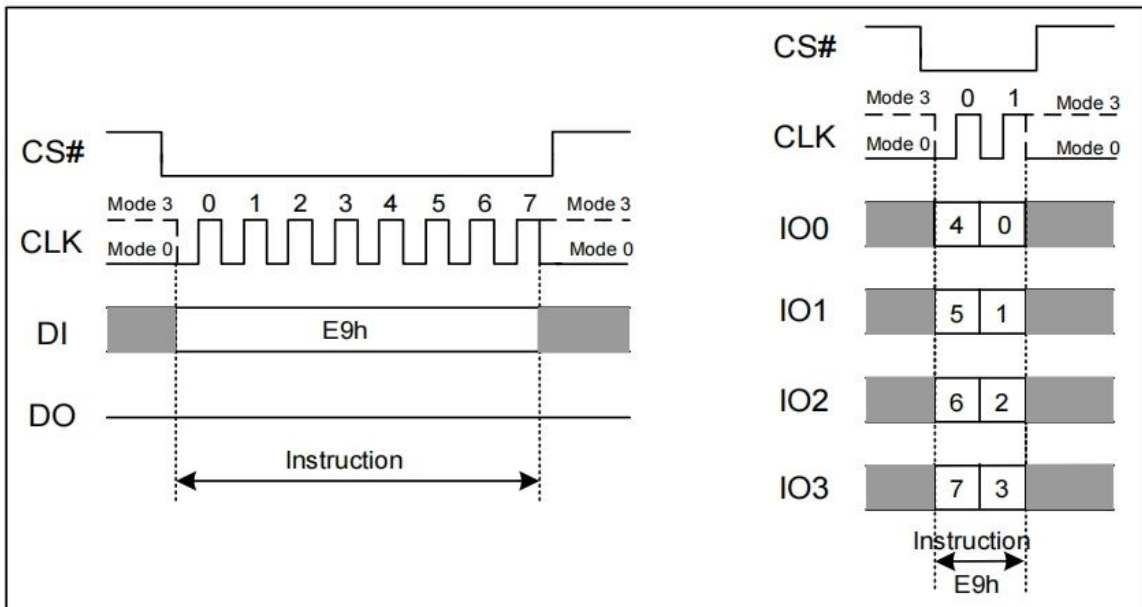


Figure 7.9 Exit 4-Byte Address mode Instruction (SPI or QPI Mode)

## 7.2 Program and Erase Commands

### 7.2.1 Page Program (PP) (02h)

The Page Program instruction allows up to 256 Bytes of data to be programmed at previously erased to all 1s (FFh) memory locations. A Write Enable instruction must be executed before the device will accept the Page Program Instruction (Status Register bit WEL must equal 1). The instruction is initiated by driving the CS# pin low then shifting the instruction code “02h” followed by a 32/24-bit address (A31/A23-A0) and at least one data Byte, into the DI pin. The CS# pin must be held low for the entire length of the instruction while data is being sent to the device. The Page Program instruction sequence is shown in Figure 7.10.

If an entire 256 Byte page is to be programmed, the last address Byte (the 8 least significant address bits) should be set to 0. If the last address Byte is not zero, and the number of clocks exceeds the remaining page length, the addressing will wrap to the beginning of the page. In some cases, less than 256 Bytes (a partial page) can be programmed without having any effect on other Bytes within the same page. One condition to perform a partial page program is that the number of clocks cannot exceed the remaining page length. If more than 256 Bytes are sent to the device the addressing will wrap to the beginning of the page and overwrite previously sent data.

As with the write and erase instructions, the CS# pin must be driven high after the eighth bit of the last Byte has been latched. If this is not done the Page Program instruction will not be executed. After CS# is driven high, the self-timed Page Program instruction will commence for a time duration of t<sub>PP</sub> (See AC Characteristics). While the Page Program cycle is in progress, the Read Status Register instruction may still be accessed for checking the status of the BUSY bit. The BUSY bit is a 1 during the Page Program cycle and becomes a 0 when the cycle is finished and the device is ready to accept other instructions again. After the Page Program cycle has finished the Write Enable Latch (WEL) bit in the Status Register is cleared to 0. The Page Program instruction will not be executed if the addressed page is protected by the Block Protect (TB, BP3, BP2, BP1, and BP0) bits (see Status Register Memory Protection table).

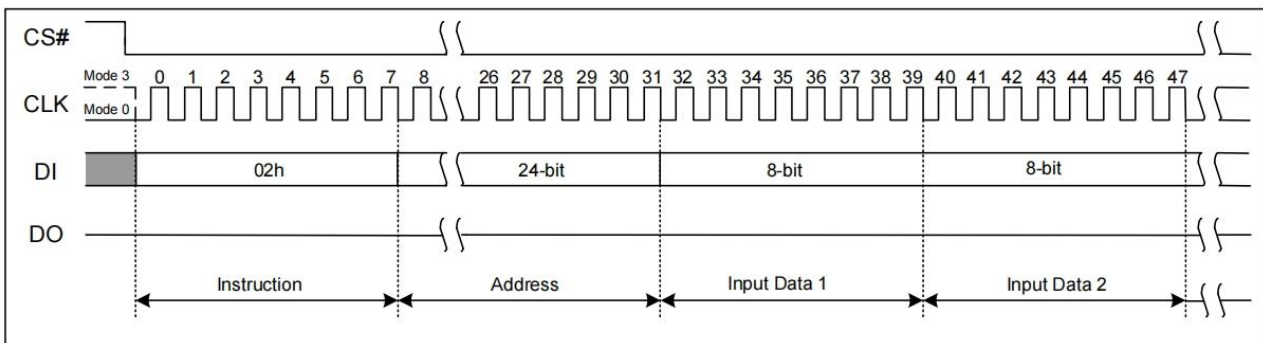


Figure 7.10a Page Program Instruction (SPI Mode)

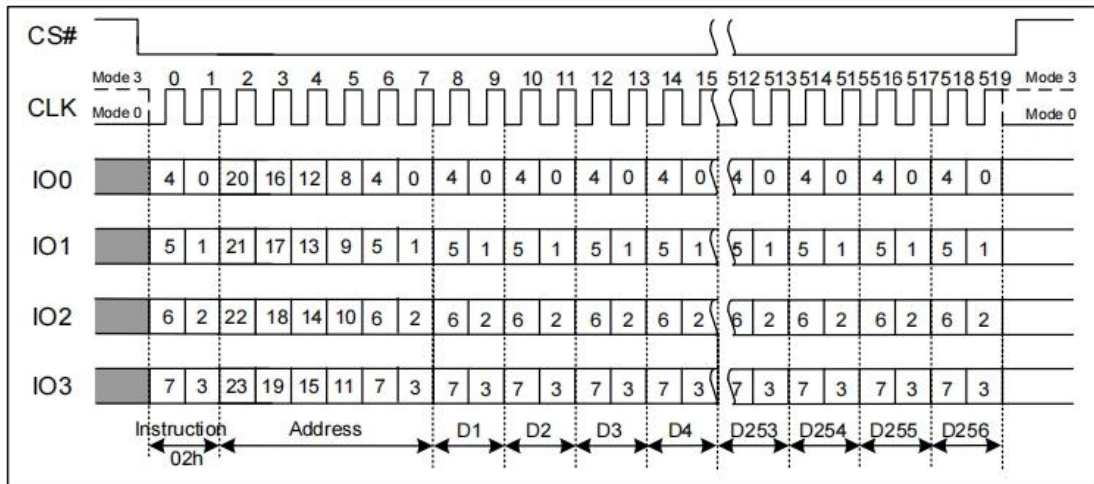


Figure 7.10b Page Program Instruction(QPI Mode)

**Note:**

(1) 32-Bit Address is required when the device is operating in 4-Byte Address Mode

**7.2.2 Page Program (PP) with 4-Byte Address (12h)**

The Page Program with 4-Byte Address instruction is similar to the Page Program instruction except that it requires 32-bit address instead of 24-bit address. No matter the device is operating in 3-Byte Address Mode or 4-Byte Address Mode, the Page Program with 4-Byte Address instruction will always require 32-bit address to access the entire 256Mb memory.

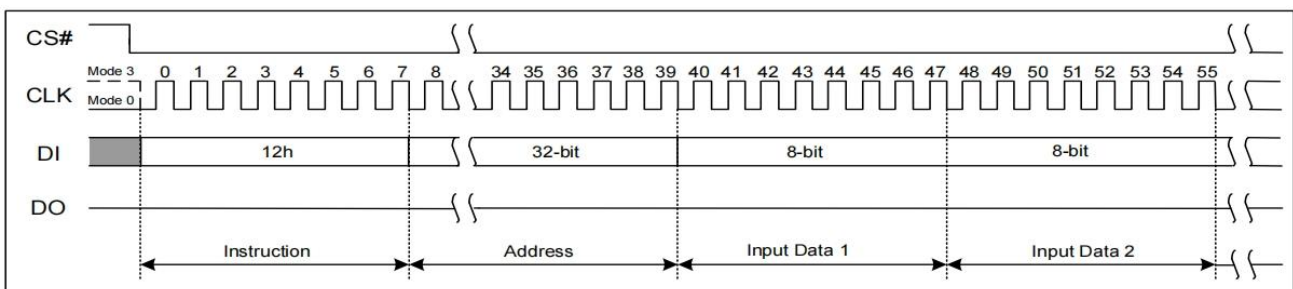


Figure 7.11 Page Program with 4-Byte Address Instruction (SPI Mode Only)

**7.2.3 Quad Input Page Program (32h)**

The Quad Input Page Program instruction allows up to 256 Byte of data to be programmed at previously erased (FFh) memory locations using four pins: IO0, IO1, IO2 and IO3. The Quad Input Page Program can improved performance for PROM Programmer and applications that have slow clock speeds<5MHz. Systems with faster clock speed will not realize much benefit for the Quad Input Page Program instruction since the inherent page program time is much greater than the time it take to clock-in the data.

To use Quad Input Page Program the Quad Enable in Status Register-2 must be set (QE=1). A Write Enable instruction must be executed before the device will accept the Quad Input Page Program instruction (Status Register-1, WEL=1). The instruction is initiated by driving the CS# pin low then shifting the instruction code “32h” followed by a 32/24-bit address (A31/A23-0) and at least one data Byte, into the IO pins. The CS# pin must be held low for entire length of the instruction while data is being sent to the device. All other functions of Quad Input Page Program are identical to standard Page Program. The Quad Inpt Page Program instructions sequence is shown in Figure 7.12.

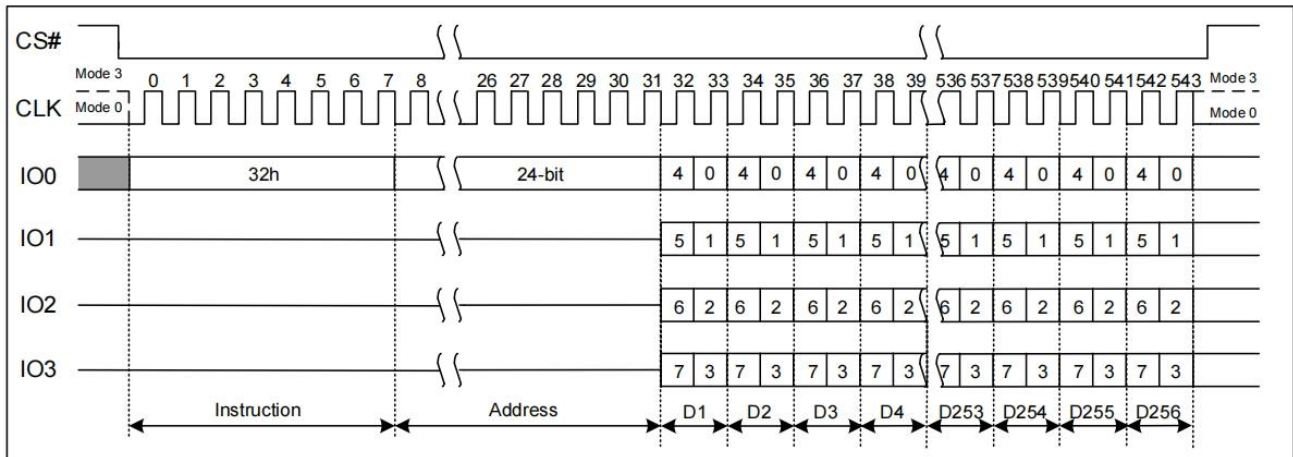


Figure 7.12 Quad Input Page Program Instruction (SPI Mode only)

**Note:**

(1) 32-bit Address is required when the device is operating in 4-Byte Address Mode

**7.2.4 Quad Input Page Program with 4-Byte Address (34h)**

The Quad Input Page Program with 4-Byte Address instruction is similar to the Quad Input Page Program instruction except that it requires 32-bit address instead of 24-bit address. No matter the device is operating in 3-Byte Address Mode or 4-Byte Address Mode, the Quad Input Page Program with 4-Byte Address instruction will always require 32-bit address to access the entire 256Mb memory. The Quad Input Page Program instructions sequence is shown in Figure 7.13.

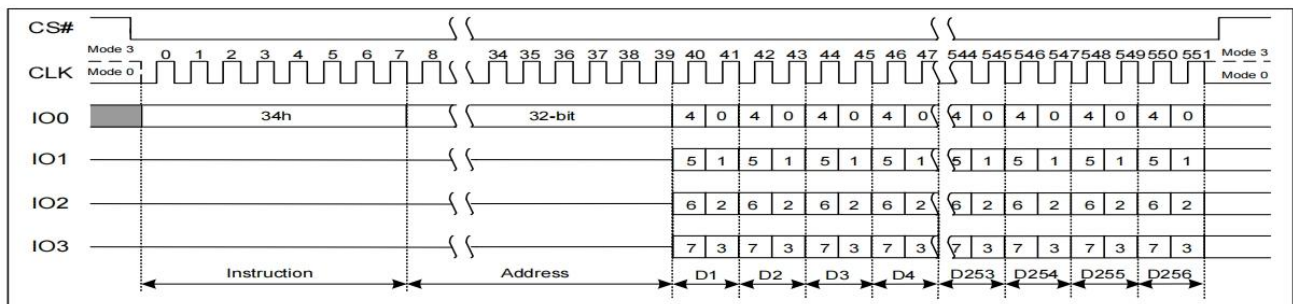


Figure 7.13 Quad Input Page Program with 4-Byte Address Instruction (SPI Mode only)

### 7.2.5 Sector Erase (SE) (20h)

The Sector Erase instruction sets all memory within a specified sector (4K-Bytes) to the erased state of all 1s (FFh). A Write Enable instruction must be executed before the device will accept the Sector Erase Instruction (Status Register bit WEL must equal 1). The instruction is initiated by driving the CS# pin low and shifting the instruction code “20h” followed a 32/24-bit sector address (A31/A23-A0). The Sector Erase instruction sequence is shown in Figure 7.14.

The CS# pin must be driven high after the eighth bit of the last Byte has been latched. If this is not done the Sector Erase instruction will not be executed. After CS# is driven high, the self-timed Sector Erase instruction will commence for a time duration of tSE (See AC Characteristics). While the Sector Erase cycle is in progress, the Read Status Register instruction may still be accessed for checking the status of the BUSY bit. The BUSY bit is a 1 during the Sector Erase cycle and becomes a 0 when the cycle is finished and the device is ready to accept other instructions again. After the Sector Erase cycle has finished the Write Enable Latch (WEL) bit in the Status Register is cleared to 0. The Sector Erase instruction will not be executed if the addressed page is protected by the Block Protect (TB, BP3, BP2, BP1, and BP0) bits (see Status Register Memory Protection table).

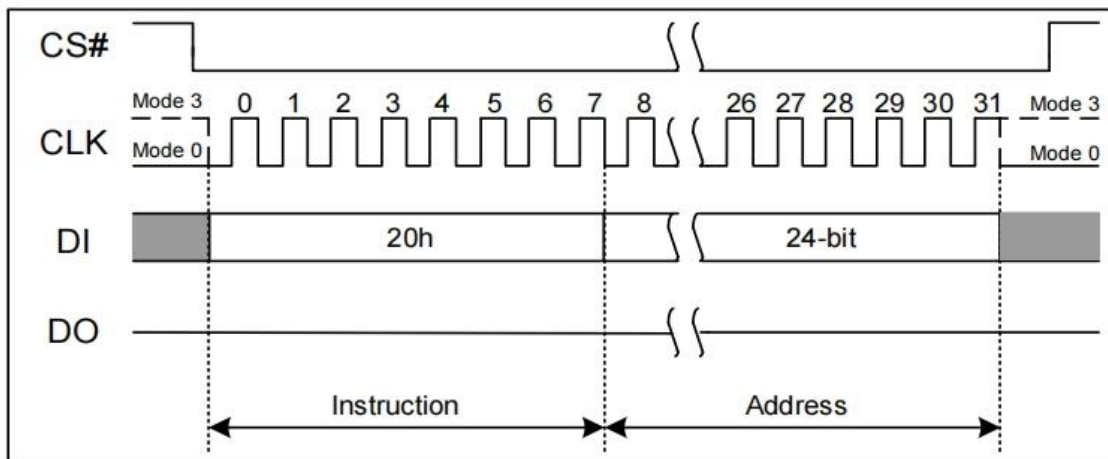


Figure 7.14a Sector Erase Instruction (SPI Mode)

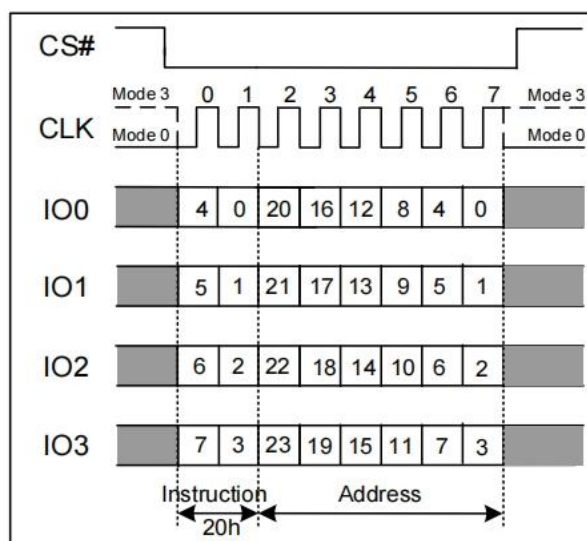


Figure 7.14b Sector Erase Instruction (QPI Mode)

**Note:** (1) 32-bit Address is required when the device is operating in 4-Byte Address Mode.

### 7.2.6 Sector Erase (SE) with 4-Byte Address (21h)

The Sector Erase with 4-Byte Address instruction is similar to the Sector Erase instruction except that it requires 32-bit address instead of 24-bit address. No matter the device is operating in 3-Byte Address Mode or 4-Byte Address Mode, the Sector Erase with 4-Byte Address instruction will always require 32-bit address to access the entire 256Mb memory.

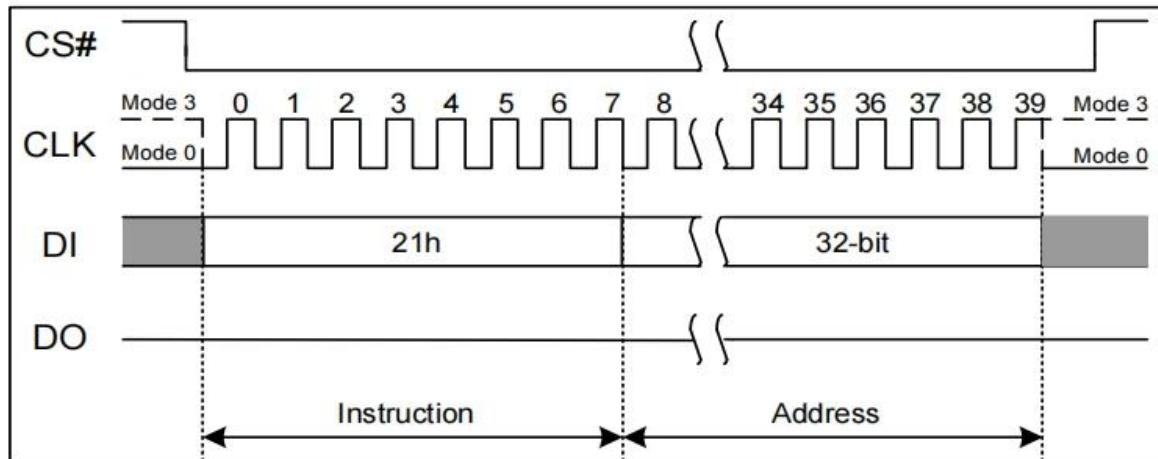


Figure 7.15 Sector Erase with 4-Byte Address Instruction (SPI Mode Only)

### 7.2.7 Block Erase (BE) (D8h) and Half Block Erase (52h)

The Block Erase instruction sets all memory within a specified block (64K-Bytes) or half block (32KBytes) to the erased state of all 1s (FFh). A Write Enable instruction must be executed before the device will accept the Block Erase Instruction (Status Register bit WEL must equal 1). The instruction is initiated by driving the CS# pin low and shifting the instruction code “D8h” or “52h” followed a 32/24-bit block address (A31/A23-A0). The Block Erase instruction sequence is shown in Figure 7.16.

The CS# pin must be driven high after the eighth bit of the last Byte has been latched. If this is not done the Block Erase instruction will not be executed. After CS# is driven high, the self-timed Block Erase instruction will commence for a time duration of tBE (See AC Characteristics). While the Block Erase cycle is in progress, the Read Status Register instruction may still be accessed for checking the status of the BUSY bit. The BUSY bit is a 1 during the Block Erase cycle and becomes a 0 when the cycle is finished and the device is ready to accept other instructions again. After the Block Erase cycle has finished the Write Enable Latch (WEL) bit in the Status Register is cleared to 0. The Block Erase instruction will not be executed if the addressed page is protected by the Block Protect (TB, BP3, BP2, BP1, and BP0) bits (see Status Register Memory Protection table).

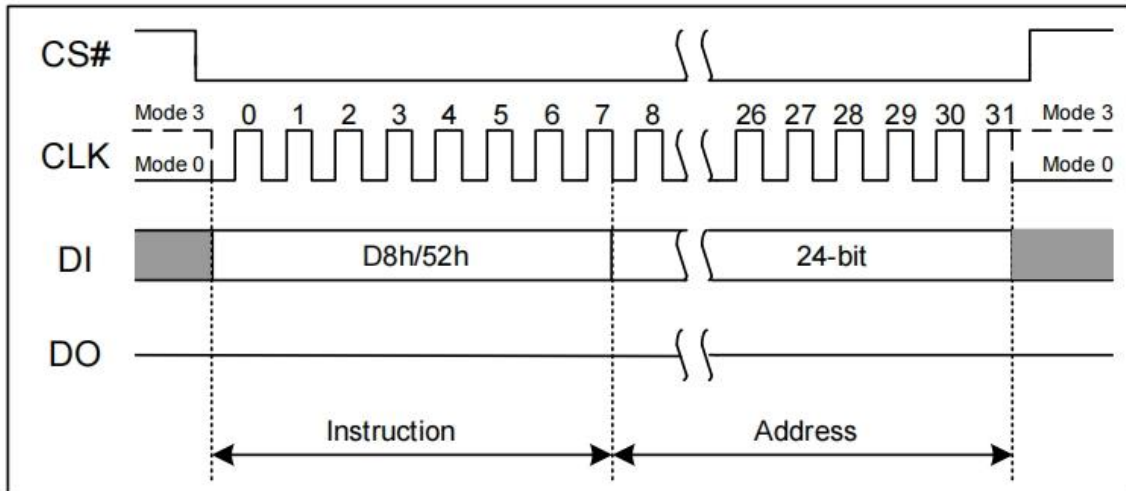


Figure 7.16a Block Erase Instruction(SPI Mode)

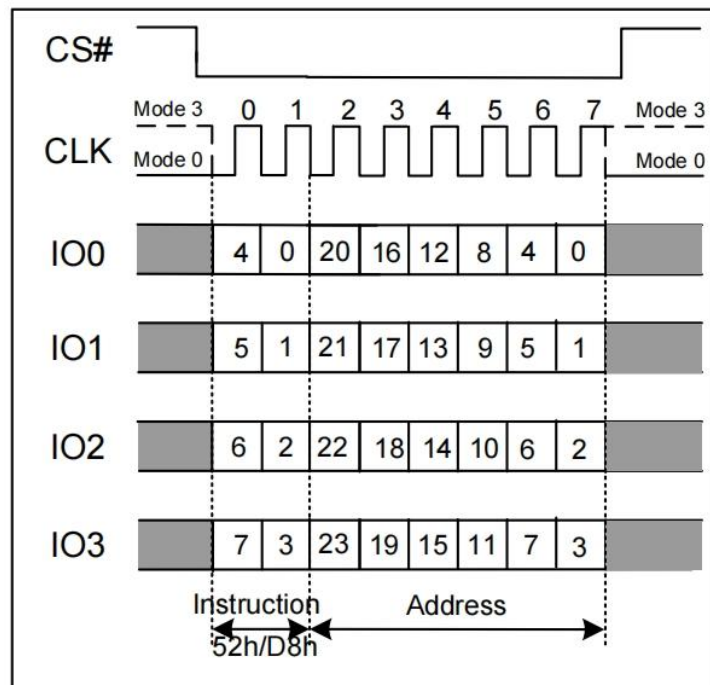


Figure 7.16b Block Erase Instruction(QPI Mode)

**Note:**

(1) 32-bit Address is required when the device is operating in 4-Byte Address Mode



### 7.2.8 64KB Block Erase with 4-Byte Address (DCh) and 32KB Half Block Erase with 4-Byte (5Ch)

The 64KB Block Erase with 4-Byte Address and 32KB Half Block Erase with 4-Byte Address instruction is similar to the 64KB Block Erase and 32KB Half Block Erase instruction except that it requires 32-bit address instead of 24-bit address. No matter the device is operating in 3-Byte Address Mode or 4-Byte Address Mode, the 64KB Block Erase with 4-Byte Address and 32KB Half Block Erase with 4-Byte Address instruction will always require 32-bit address to access the entire 256Mb memory.

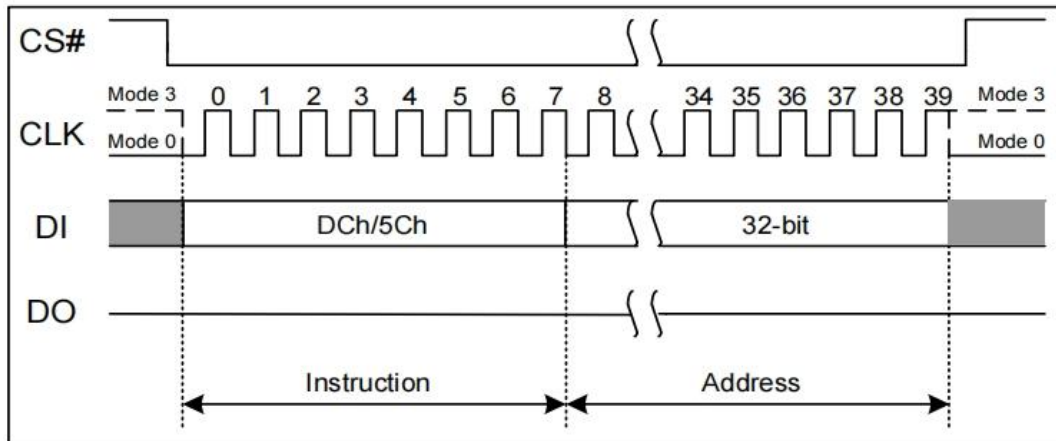


Figure 7.17 Block Erase with 4-Byte Address Instruction (SPI Mode Only)

### 7.2.9 Chip Erase (CE) (C7h or 60h)

The Chip Erase instruction sets all memory within the device to the erased state of all 1s (FFh). A Write Enable instruction must be executed before the device will accept the Chip Erase Instruction (Status Register bit WEL must equal 1). The instruction is initiated by driving the CS# pin low and shifting the instruction code “C7h” or “60h”. The Chip Erase instruction sequence is shown in Figure 7.18.

The CS# pin must be driven high after the eighth bit has been latched. If this is not done the Chip Erase instruction will not be executed. After CS# is driven high, the self-timed Chip Erase instruction will commence for a time duration of t<sub>CE</sub> (See AC Characteristics). While the Chip Erase cycle is in progress, the Read Status Register instruction may still be accessed to check the status of the BUSY bit. The BUSY bit is a 1 during the Chip Erase cycle and becomes a 0 when finished and the device is ready to accept other instructions again. After the Chip Erase cycle has finished the Write Enable Latch (WEL) bit in the Status Register is cleared to 0. The Chip Erase instruction will not be executed if any page is protected by the Block Protect (TB, BP3, BP2, BP1, and BP0) bits (see Status Register Memory Protection tab).

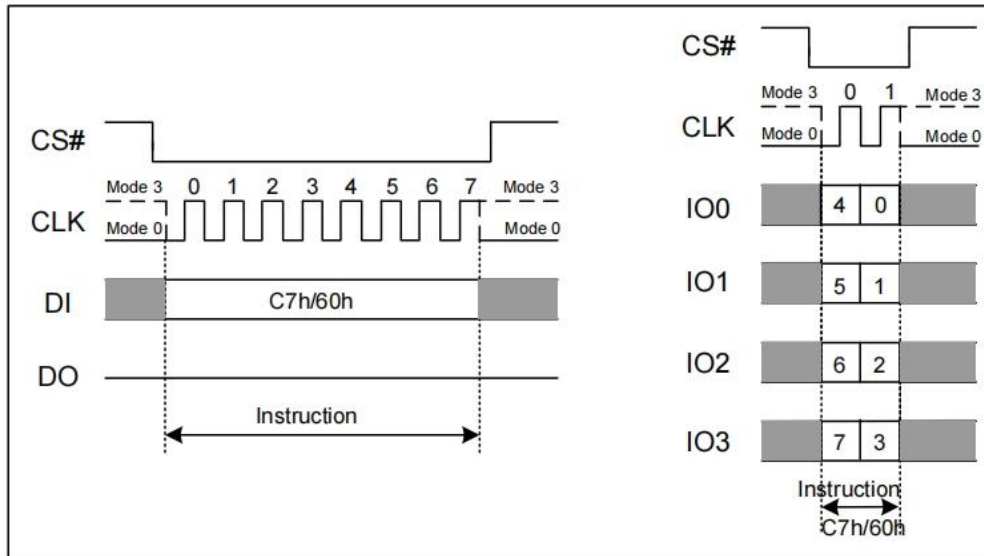


Figure 7.18 Chip Erase Instruction(SPI or QPI Mode)

### 7.2.10 Erase / Program Suspend (75h)

The Erase / Program Suspend command allows the system to interrupt a Sector or Block Erase operation (except Erase Security Registers), then read from or program data to any other sector. The Erase / Program Suspend command also allows the system to interrupt a Page Program operation (except Program Security Registers) and then read data from any other page. The Erase / Program Suspend command sequence is shown in Figure 7.19.

The Write Status Registers command (01h, 31h, 11h), Program Security Registers command (42h) and Erase commands (20h, 52h, D8h, C7h, 60h, 44h) are not allowed during Erase Suspend. Erase Suspend is valid only during the Sector or Block erase operation. If written during the Chip Erase operation, the Erase Suspend command is ignored. The Write Status Registers command (01h, 31h, 11h), Erase commands (20h, 52h, D8h, C7h, 60h, 44h) and Program commands (02h, 32h, 42h) are not allowed during Program Suspend. Program Suspend is valid during the Page Program or Quad Page Program operation.

The Erase / Program Suspend command 75h will be accepted by the device only if the SUS bit in the Status Register equals to 0 and the BUSY bit equals to 1 while a Sector or Block Erase or a Page Program operation is on-going. If the SUS bit equals to 1 or the BUSY bit equals to 0, the Suspend command will be ignored by the device. Program or Erase command for the sector that is being suspended will be ignored.

A maximum of time of tSUS (Section 8.5, AC Electrical Characteristics) is required to suspend the erase or program operation. The BUSY bit in the Status Register will be cleared from 1 to 0 within tSUS and the SUS bit in the Status Register will be set from 0 to 1 immediately after Erase/Program Suspend. For a previously resumed Erase/Program operation, it is also required that the Suspend command 75h is not issued earlier than a minimum of time of tSUS following the preceding Resume command 7Ah.

Unexpected power off during the Erase / Program suspend state will reset the device and release the suspend state. SUS bit in the Status Register will also reset to 0. The data within the page, sector or block that was being suspended may become corrupted. It is recommended for the user to implement system design techniques to prevent accidental power interruption, provide non-volatile tracking of in process program or erase commands, and preserve data integrity by evaluating the non-volatile program or erase tracking information during each system power up in order to identify and repair (re-erase and re-program) any improperly terminated program or erase operations.

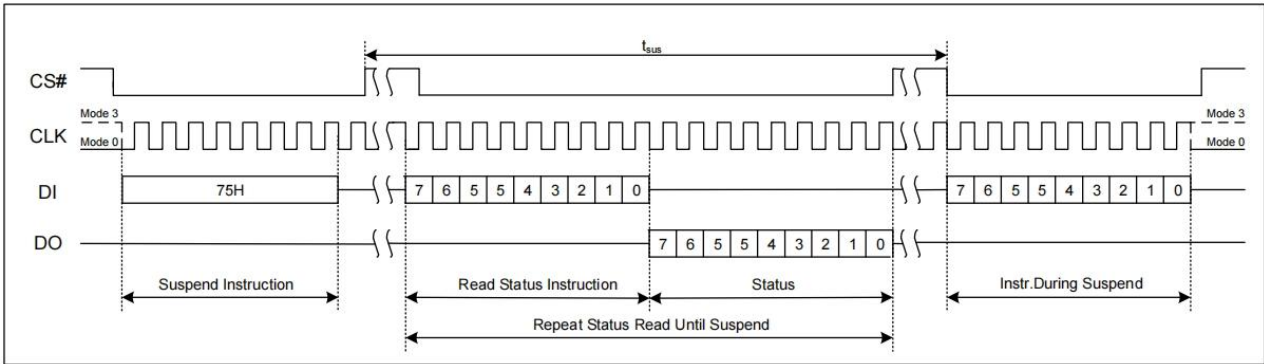


Figure 7.19a Erase / Program Suspend Instruction (SPI Mode)

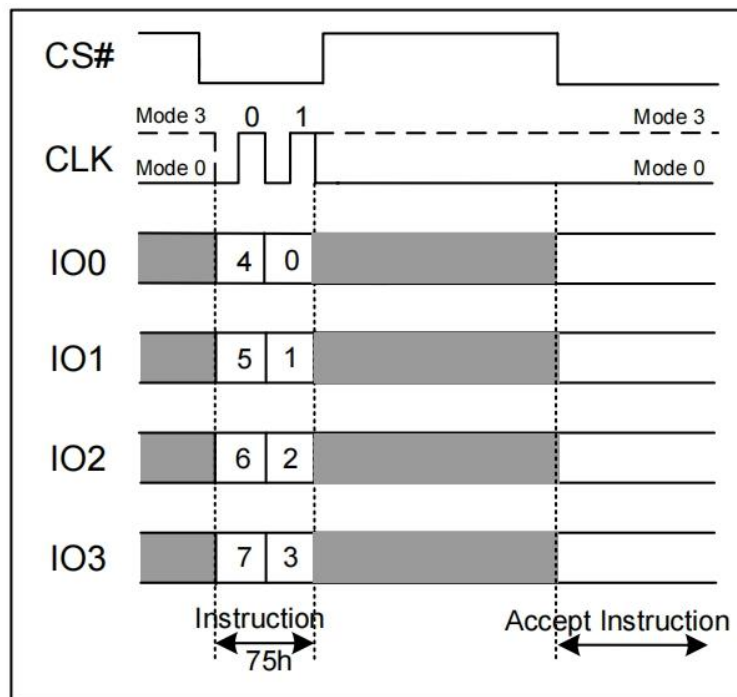


Figure 7.19b Erase / Program Suspend Instruction (QPI Mode)

### 7.2.11 Erase / Program Resume (7Ah)

The Erase / Program Resume command “7Ah” must be written to resume the Sector or Block Erase operation or the Page Program operation after an Erase / Program Suspend. The Resume command “7Ah” will be accepted by the device only if the SUS bit in the Status Register equals to 1 and the BUSY bit equals to 0. After the Resume command is issued the SUS bit will be cleared from 1 to 0 immediately, the BUSY bit will be set from 0 to 1 within 200 ns and the Sector or Block will complete the erase operation or the page will complete the program operation. If the SUS bit equals to 0 or the BUSY bit equals to 1, the Resume command “7Ah” will be ignored by the device. The Erase / Program Resume command sequence is shown in Figure 7.20. It is required that a subsequent Erase / Program Suspend command not to be issued within a minimum of time of “tSUS” following a Resume command.

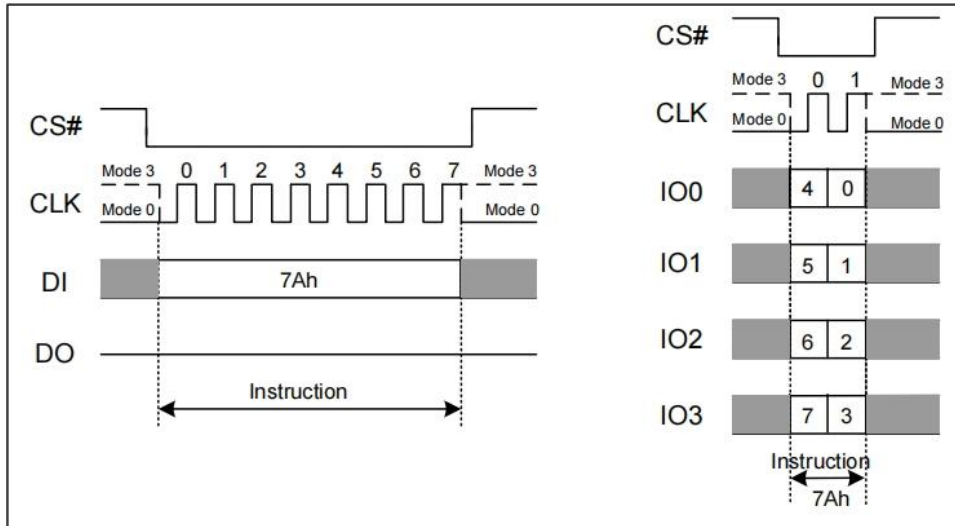


Figure 7.20 Erase/Program Resume Instruction(SPI or QPI Mode)

### 7.3 Read Commands

#### 7.3.1 Read Data (03h)

The Read Data instruction allows one more data Bytes to be sequentially read from the memory. The instruction is initiated by driving the CS# pin low and then shifting the instruction code “03h” followed by a 32/24-bit address (A31/A23-A0) into the DI pin. The code and address bits are latched on the rising edge of the CLK pin. After the address is received, the data Byte of the addressed memory location will be shifted out on the DO pin at the falling edge of CLK with most significant bit (MSB) first. The address is automatically incremented to the next higher address after each Byte of data is shifted out allowing for a continuous stream of data. This means that the entire memory can be accessed with a single instruction as long as the clock continues. The instruction is completed by driving CS# high.

The Read Data instruction sequence is shown in Figure 7.21. If a Read Data instruction is issued while an Erase, Program or Write cycle is in process (BUSY=1) the instruction is ignored and will not have any effects on the current cycle. The Read Data instruction allows clock rates from D.C. to a maximum of fR (see AC Electrical Characteristics).

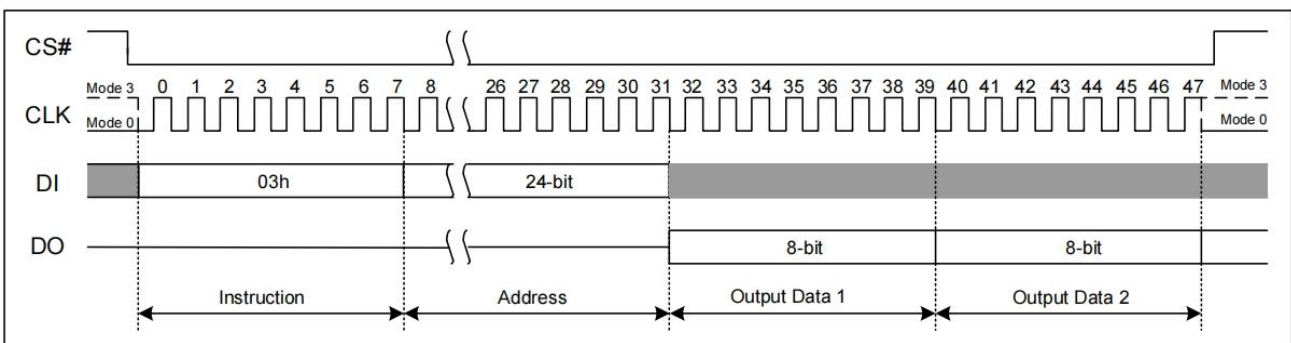


Figure 7.21 Read Data Instruction (SPI Mode only)

**Note:** (1) 32-Bit Address is required when the device is operating in 4-Byte Address Mode

### 7.3.2 Read Data with 4-Byte Address (13h)

The Read Data with 4-Byte Address instruction is similar to the Read Data (03h) instruction. Instead of 24-bit address, 32-bit address is needed following the instruction code 13h. No matter the device is operating in 3-Byte Address Mode or 4-Byte Address Mode, the Read Data with 4-Byte Address instruction will always require 32-bit address to access the entire 256Mb memory.

The Read Data with 4-Byte Address instruction sequence is shown in Figure 7.22. If this instruction is issued while an Erase, Program or Write cycle is in process (BUSY=1) the instruction is ignored and will not have any effects on the current cycle. The Read Data with 4-Byte Address instruction allows clock rates from D.C. to a maximum of fR (see AC Electrical Characteristics).

The Read Data with 4-Byte Address (13h) instruction is only supported in Standard SPI mode.

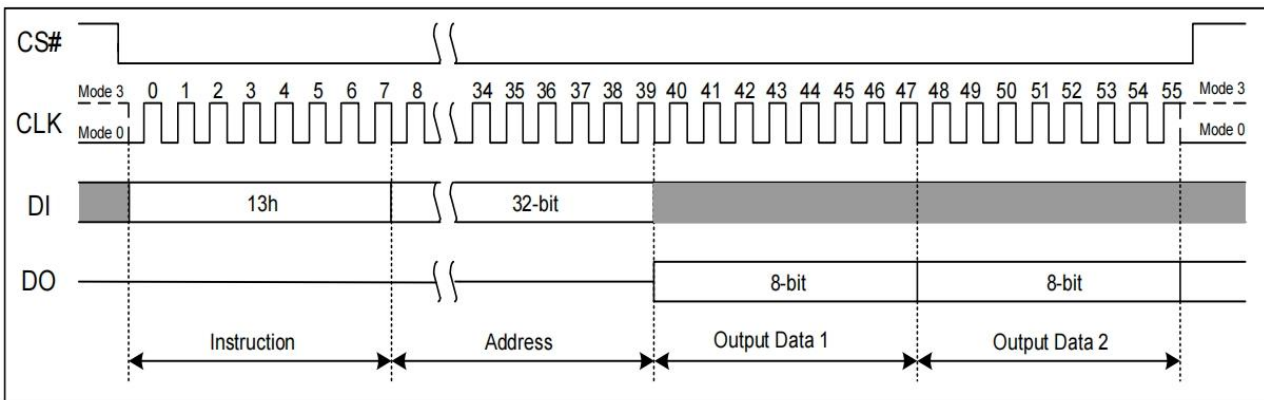


Figure 7.22 Read Data with 4-Byte Address Instruction (SPI Mode only)

### 7.3.3 Fast Read (0Bh)

The Fast Read instruction is similar to the Read Data instruction except that it can operate at the highest possible frequency of FR (see AC Electrical Characteristics). This is accomplished by adding eight “dummy” clocks after the 32/24-bit address as shown in Figure 7.23. The dummy clocks allow the devices internal circuits additional time for setting up the initial address. During the dummy clocks the data value on the DO pin is a “don’t care”.

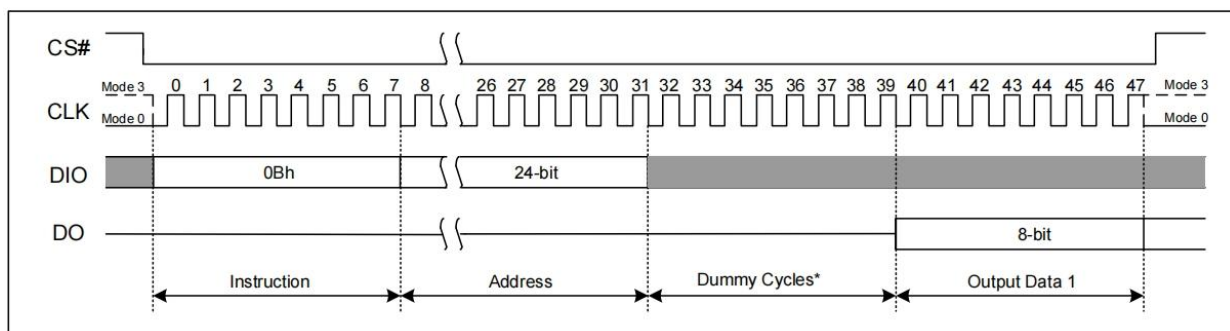


Figure 7.23 Fast Read Instruction (SPI Mode)

**Note:** (1) 32-Bit Address is required when the device is operating in 4-Byte Address Mode

### Fast Read (0Bh) in QPI Mode

The Fast Read instruction is also supported in QPI mode. When QPI mode is enabled, the number of dummy clocks is configured by the “Set Read Parameters (C0h)” instruction to accommodate a wide range of applications with different needs for either maximum Fast Read frequency or minimum data access latency. Depending on the Read Parameter Bits P[5:4] setting, the number of dummy clocks can be configured as either 4, 6 or 8. The default number of dummy clocks upon power up or after a Reset instruction is 4.

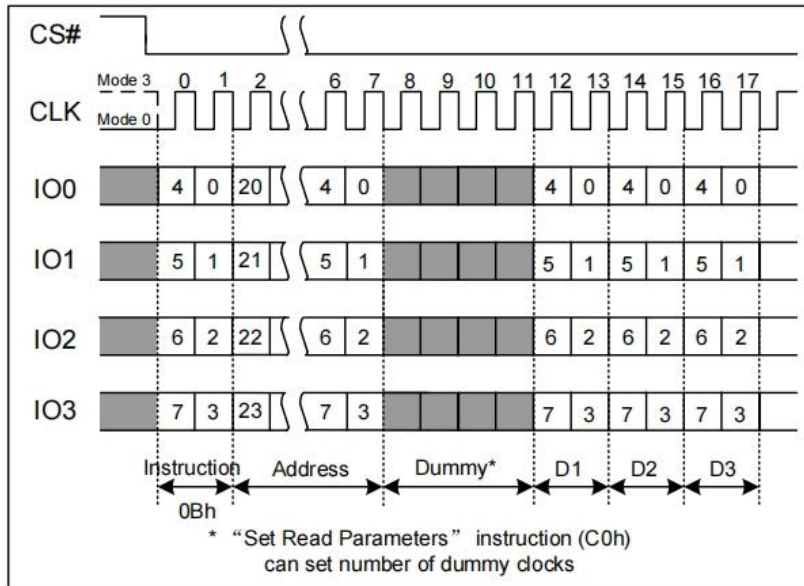


Figure 7.24 Fast Read Instruction (QPI Mode)

**Note:** (1) 32-Bit Address is required when the device is operating in 4-Byte Address Mode

### 7.3.4 Fast Read with 4-Byte Address (0Ch)

The Fast Read with 4-Byte Address instruction is similar to the Fast Read instruction except that it requires 32-bit address instead of 24-bit address. No matter the device is operating in 3-Byte Address Mode or 4-Byte Address Mode, the Read Data with 4-Byte Address instruction will always require 32-bit address to access the entire 256Mb memory.

The Fast Read with 4-Byte Address (0Ch) instruction is only supported in Standard SPI mode. In QPI mode, the instruction code 0Ch is used for the “Burst Read with Wrap” instruction. Please refer to 7.5.18 for details.

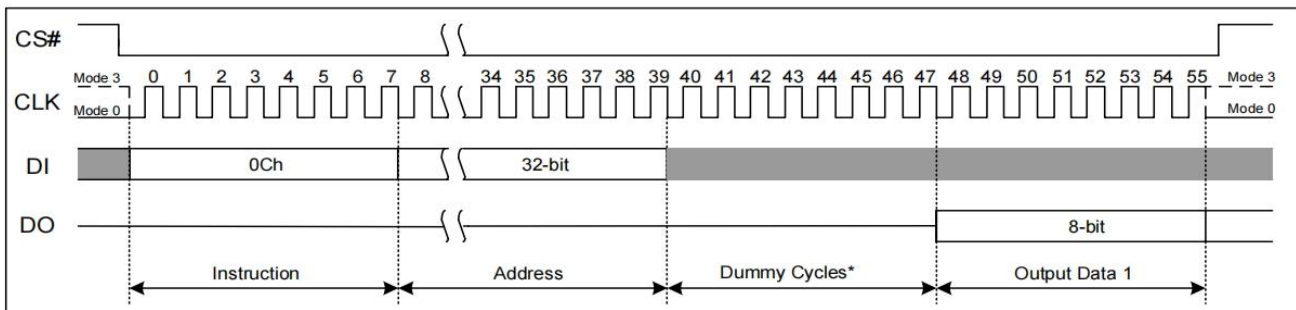


Figure 7.25 Fast Read with 4-Byte Address Instruction (SPI Mode only)

### 7.3.5 Fast Read Dual Output (3Bh)

The Fast Read Dual Output (3Bh) instruction is similar to the standard Fast Read (0Bh) instruction except that data is output on two pins, DO and DIO, instead of just DO. This allows data to be transferred from the HG25Q256 at twice the rate of standard SPI devices. The Fast Read Dual Output instruction is ideal for quickly downloading code from Flash to RAM upon power-up or for applications that cache code-segments to RAM for execution.

Similar to the Fast Read instruction, the Fast Read Dual Output instruction can operate at the highest possible frequency of FR (see AC Electrical Characteristics). This is accomplished by adding eight “dummy” clocks after the 32/24-bit address as shown in Figure 7.26. The dummy clocks allow the device’s internal circuits additional time for setting up the initial address. The input data during the dummy clocks is “don’t care”. However, the DIO pin should be high-impedance prior to the falling edge of the first data out clock.

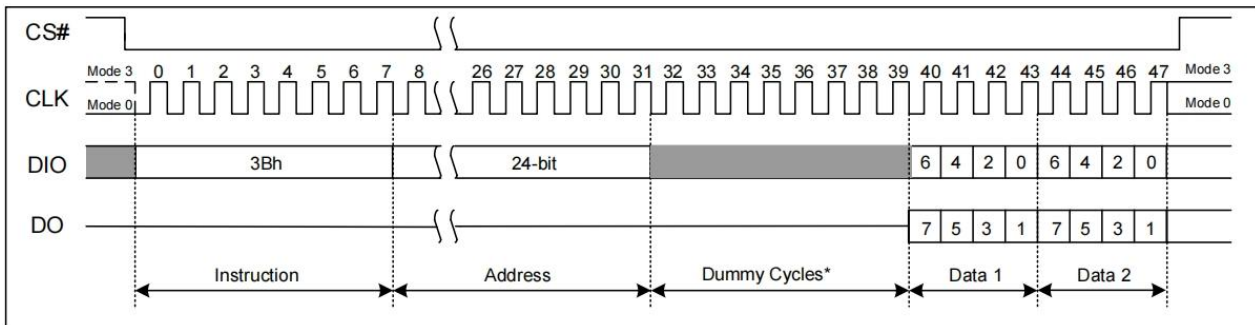


Figure 7.26 Fast Read Dual Output Instruction Sequence Diagram (SPI Mode only)

Note: (1) 32-Bit Address is required when the device is operating in 4-Byte Address Mode

### 7.3.6 Fast Read Dual Output with 4-Byte Address (3Ch)

The Fast Read Dual Output with 4-Byte Address instruction is similar to the Fast Read Dual Output instruction except that it requires 32-bit address instead of 24-bit address. No matter the device is operating in 3-Byte Address Mode or 4-Byte Address Mode, the Fast Read Dual Output with 4-Byte Address instruction will always require 32-bit address to access the entire 256Mb memory.

The Fast Read Dual Output with 4-Byte Address (3Ch) instruction is only supported in Standard SPI mode.

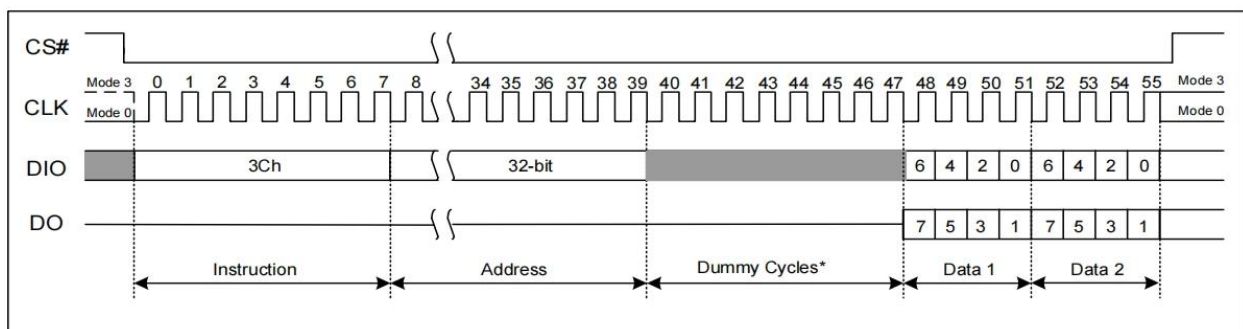


Figure 7.27 Fast Read Dual Output with 4-Byte Address Instruction (SPI Mode only)

### 7.3.7 Fast Read Quad Output (6Bh)

The Fast Read Quad Output (6Bh) instruction is similar to the Fast Dual Output (3Bh) instruction except that data is output on four pins, IO0, IO1, IO2 and IO3. A Quad enable of status Register-2 must be executed before the device will accept the Fast Read Quad Output Instruction (Status Register bit QE must equal 1). The Fast Read Quad Output Instruction allows data to be transferred from HG25Q256 at four times the rate of standard SPI devices.

The Fast Read Quad Output instruction can operate at the highest possible frequency of FR (see AC Electrical Characteristics). This is accomplished by adding “dummy” clocks after the 32/24-bit address as shown in Figure 7.28. The input data during the dummy clocks is “don’t care”. However, the IO pins should be high-impedance prior to the falling edge of the first data out clock.

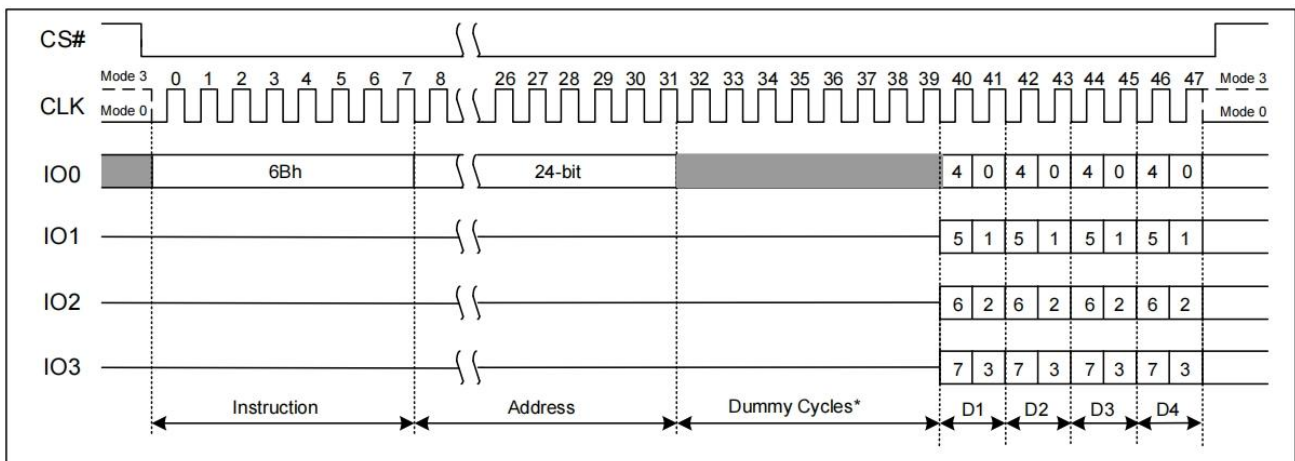


Figure 7.28 Fast Read Quad Output Instruction (SPI Mode only)

**Note:** (1) 32-bit Address is required when the device is operating in 4-Byte Address Mode

### 7.3.8 Fast Read Quad Output with 4-Byte Address (6Ch)

The Fast Read Quad Output with 4-Byte Address instruction is similar to the Fast Read Quad Output (6Bh) instruction except that it requires 32-bit address instead of 24-bit address. No matter the device is operating in 3-Byte Address Mode or 4-Byte Address Mode, the Fast Read Quad Output with 4-Byte Address instruction will always require 32-bit address to access the entire 256Mb memory.

The Fast Read Quad Output with 4-Byte Address (6Ch) instruction is only supported in Standard SPI mode.

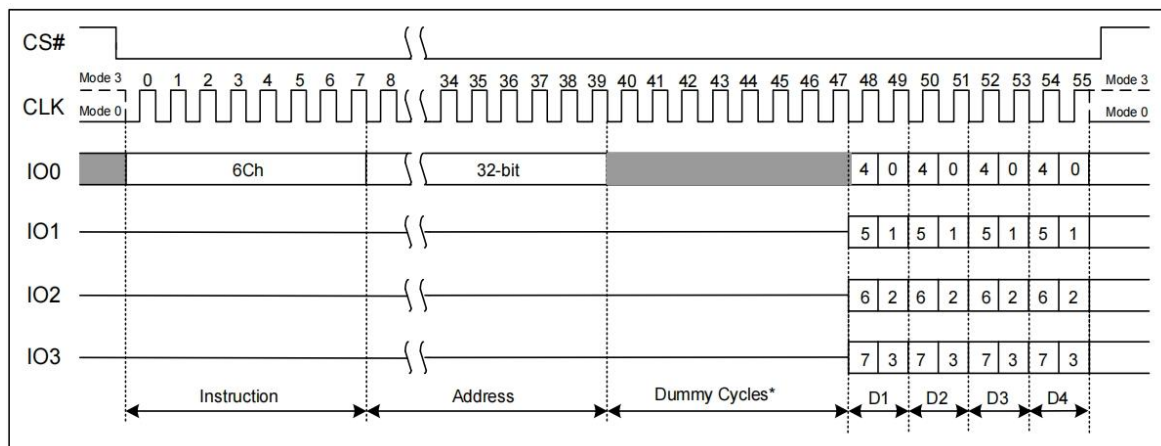


Figure 7.29 Fast Read Quad Output with 4-Byte Address Instruction(SPI Mode only)



### 7.3.9 Fast Read Dual I/O (BBh)

The Fast Read Dual I/O (BBh) instruction allows for improved random access while maintaining two IO pins, IO0 and IO1. It is similar to the Fast Read Dual Output (3Bh) instruction but with the capability to input the Address bits (A31/A23-0) two bits per clock. This reduced instruction overhead may allow for code execution (XIP) directly from the Dual SPI in some applications.

Similar to the Fast Read Dual Output (3Bh) instruction, the Fast Read Dual I/O instruction can operate at the highest possible frequency of fR (see AC Electrical Characteristics). This is accomplished by adding four “dummy” clocks after the 32/24-bit address as shown in Figure 7.30. The dummy clocks allow the device’s internal circuits additional time for setting up the initial address. The input data during the dummy clocks is “don’t care”. However, the IO0 pin should be high-impedance prior to the falling edge of the first data out clock.

#### Fast Read Dual I/O with “Continuous Read Mode”

The Fast Read Dual I/O instruction can further reduce instruction overhead through setting the “Continuous Read Mode” bits (M7-0) after the input Address bits (A23-0), as shown in Figure 7.30a. The upper nibble of the (M7-4) controls the length of the next Fast Read Dual I/O instruction through the inclusion or exclusion of the first Byte instruction code. The lower nibble bits of the (M3-0) are don’t care (“x”). However, the IO pins should be high-impedance prior to the falling edge of the first data out clock.

If the “Continuous Read Mode” bits M5-4 = (1,0), then the next Fast Read Dual I/O instruction (after CS# is raised and then lowered) does not require the BBh instruction code, as shown in Figure 7.30b. This reduces the instruction sequence by eight clocks and allows the Read address to be immediately entered after CS# is asserted low. If the “Continuous Read Mode” bits M5-4 do not equal to (1,0), the next instruction (after CS# is raised and then lowered) requires the first Byte instruction code, thus returning to normal operation.

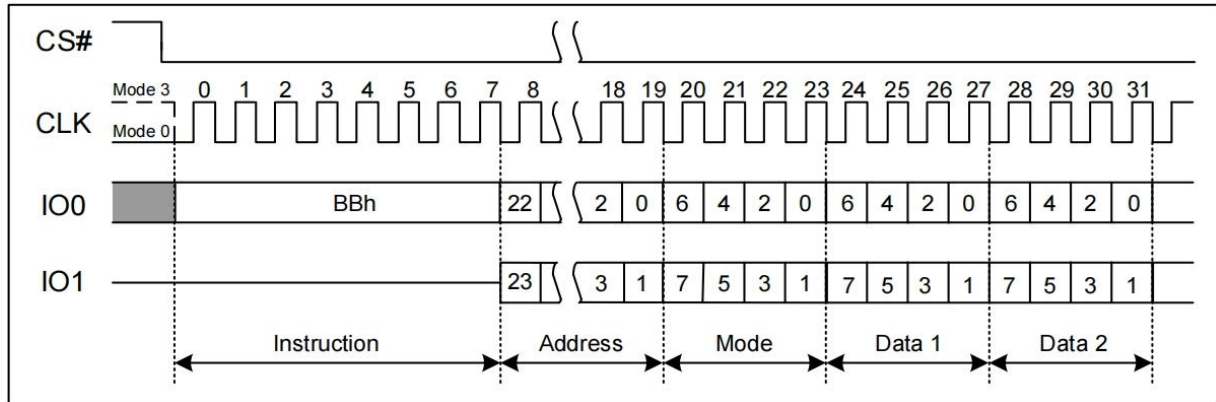
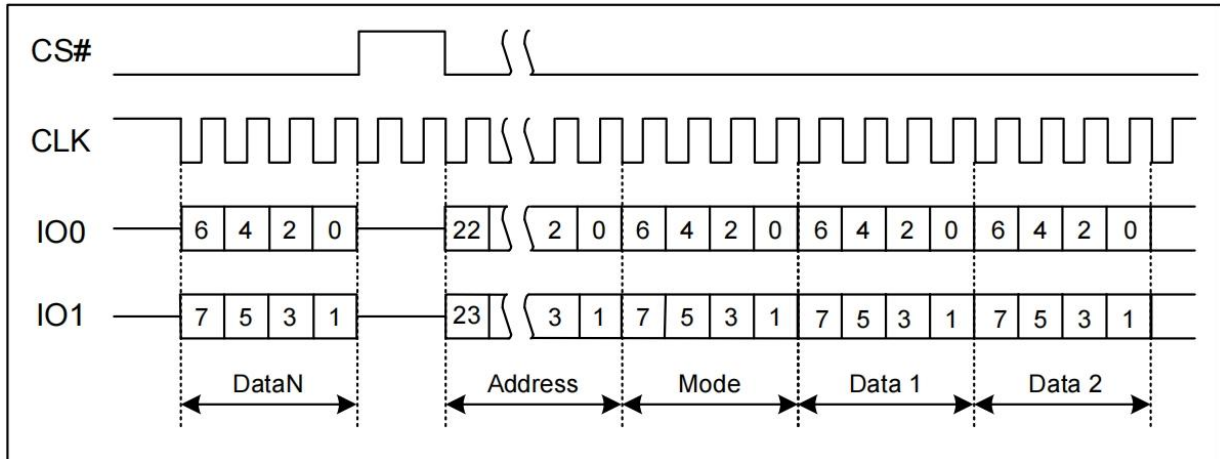


Figure 7.30a Fast Read Dual I/O Instruction (M7-0=FFh, SPI Mode only)



**Figure 7.30b Fast Read Dual I/O Instruction (previous command set M5-4=10, SPI Mode only)**

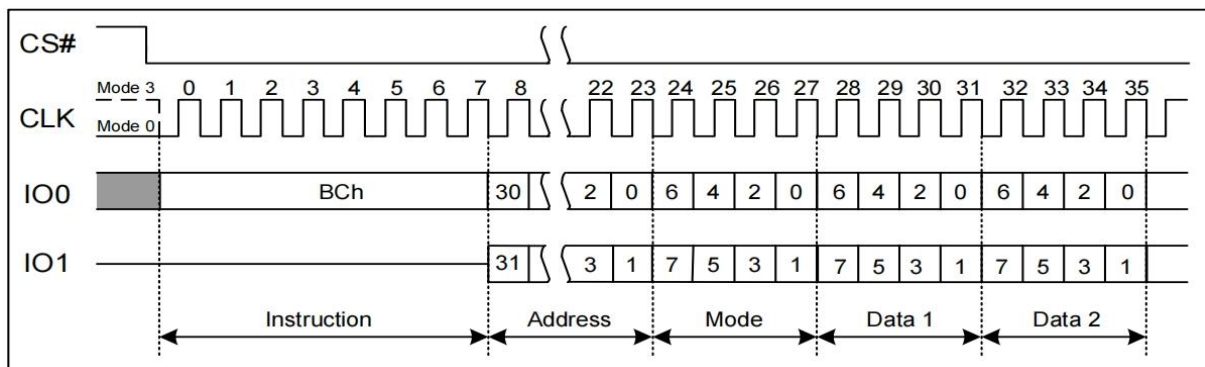
**Note:**

- (1) Least significant 4 bits of Mode are don't care and it is optional for the host to drive these bits. The host may turn off drive during these cycles to increase bus turnaround time between Mode bits from host and returning data from the memory
- (2) 32-Bit Address is required when the device is operating in 4-Byte Address Mode

**7.3.10 Fast Read Dual I/O with 4-Byte Address (BCh)**

The Fast Read Dual I/O with 4-Byte Address instruction is similar to the Fast Read Dual I/O (BBh) instruction except that it requires 32-bit address instead of 24-bit address. No matter the device is operating in 3-Byte Address Mode or 4-Byte Address Mode, the Fast Read Dual I/O with 4-Byte Address instruction will always require 32-bit address to access the entire 256Mb memory.

The Fast Read Dual I/O with 4-Byte Address (BCh) instruction is only supported in Standard SPI mode.



**Figure 7.31a Fast Read Dual I/O with 4-Byte Address  
(Initial command or previous M5-4≠10, SPI Mode only)**

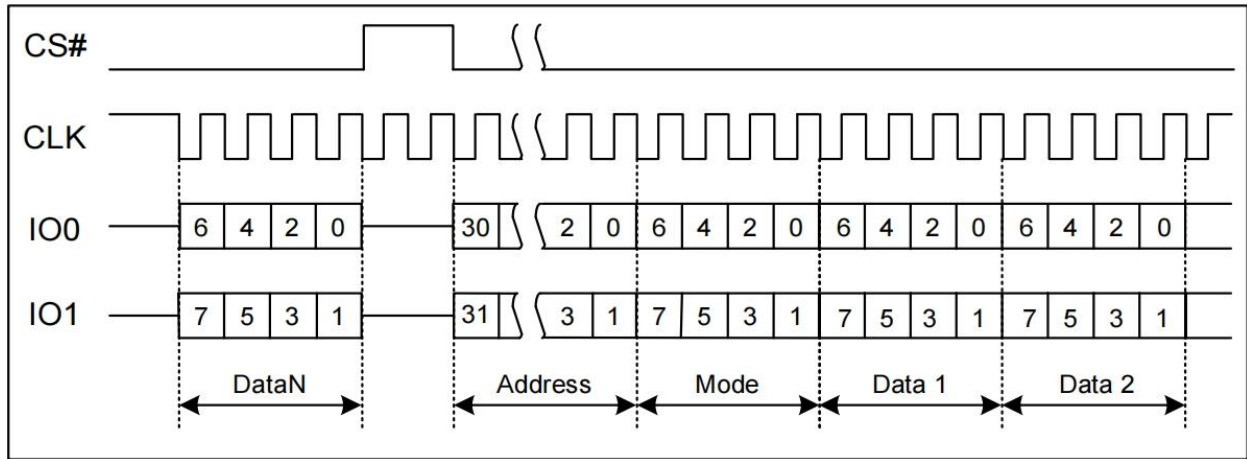


Figure 7.31b Fast Read Dual I/O with 4-Byte Address (Previous M5-4=10, SPI Mode only)

### 7.3.11 Fast Read Quad I/O (EBh)

The Fast Read Quad I/O (EBh) command is similar to the Fast Read Dual I/O (BBh) command except that address and data bits are input and output through four pins IO0, IO1, IO2 and IO3 and four Dummy clocks are required prior to the data output. The Quad I/O dramatically reduces instruction overhead allowing faster random access for code execution (XIP) directly from the Quad SPI. The Quad Enable bit (QE) of Status Register-2 must be set to enable the Fast Read Quad I/O Command.

#### Fast Read Quad I/O with “Continuous Read Mode”

The Fast Read Quad I/O instruction can further reduce instruction overhead through setting the “Continuous Read Mode” bits (M7-0) after the input Address bits (A23-0), as shown in Figure 7.32a. The upper nibble of the (M7-4) controls the length of the next Fast Read Quad I/O instruction through the inclusion or exclusion of the first Byte instruction code. The lower nibble bits of the (M3-0) are don't care (“x”). However, the IO pins should be high-impedance prior to the falling edge of the first data out clock.

If the “Continuous Read Mode” bits M5-4 = (1,0), then the next Fast Read Quad I/O instruction (after CS# is raised and then lowered) does not require the EBh instruction code, as shown in Figure 7.32b. This reduces the instruction sequence by eight clocks and allows the Read address to be immediately entered after CS# is asserted low. If the “Continuous Read Mode” bits M5-4 do not equal to (1,0), the next instruction (after CS# is raised and then lowered) requires the first Byte instruction code, thus returning to normal operation.

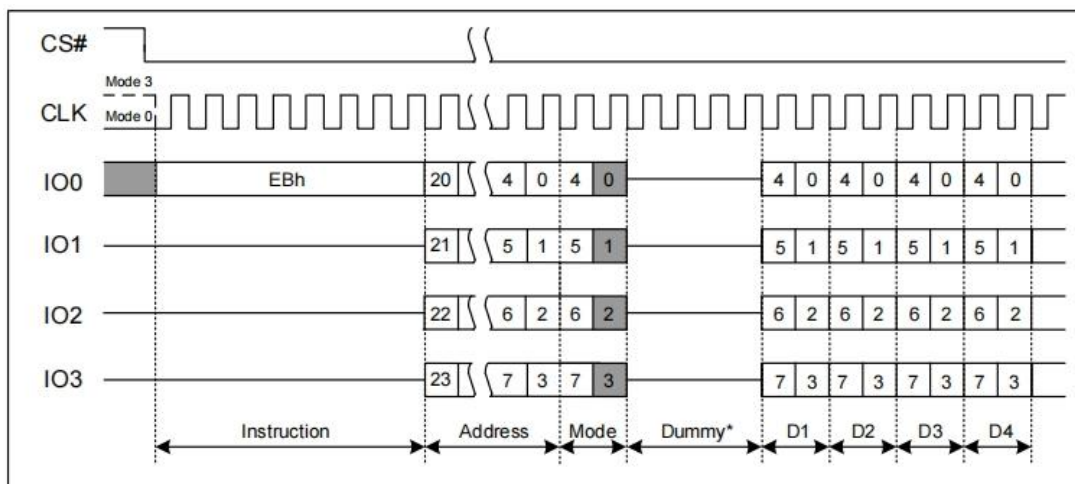
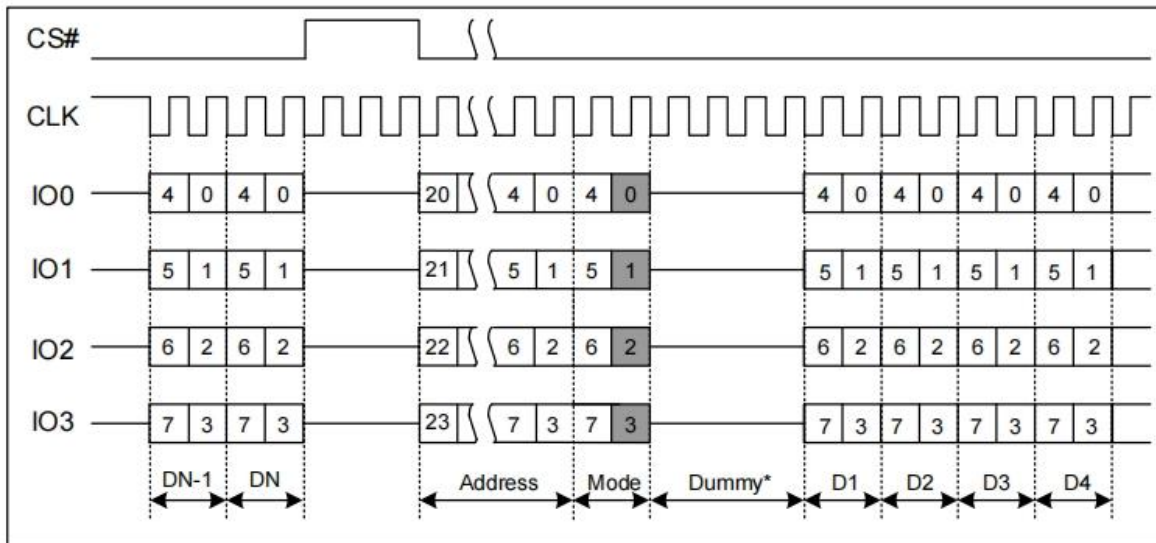


Figure 7.32a Fast Read Quad I/O Instruction (Initial command or previous M5-4≠10, SPI Mode)

**Note:** (1) 32-Bit Address is required when the device is operating in 4-Byte Address Mode



**Figure 7.32b Fast Read Quad I/O Instruction (Previous command set M5-4=10, SPI Mode)**

### Fast Read Quad I/O with “8/16/32/64-Byte Wrap Around”

The Fast Read Quad I/O command can also be used to access a specific portion within a page by issuing a “Set Burst with Wrap” command prior to EBh. The “Set Burst with Wrap” command can either enable or disable the “Wrap Around” feature for the following EBh commands. When “Wrap Around” is enabled, the data being accessed can be limited to 8/16/32/64-Byte section of data. The output data starts at the initial address specified in the command, once it reaches the ending boundary of the 8/16/32/64-Byte section, the output will wrap around to the beginning boundary automatically until CS# is pulled high to terminate the command.

The Burst with Wrap feature allows applications that use cache to quickly fetch a critical address and then fill the cache afterwards within a fixed length (8/16/32/64-Bytes) of data without issuing multiple read commands.

The “Set Burst with Wrap” command allows three “Wrap Bits”, W6-4 to be set. The W4 bit is used to enable or disable the “Wrap Around” operation while W6-5 is used to specify the length of the wrap around section within a page. See Section 7.3.13, Set Burst with Wrap (77h).

### Fast Read Quad I/O (EBh) in QPI Mode

The Fast Read Quad I/O instruction is also supported in QPI mode, as shown in Figure 7.33. When QPI mode is enabled, the number of dummy clocks is configured by the “Set Read Parameters (C0h)” instruction to accommodate a wide range of applications with different needs for either maximum Fast Read frequency or minimum data access latency. Depending on the Read Parameter Bits P[5:4] setting, the number of dummy clocks can be configured as either 4, 6 or 8. The default number of dummy clocks upon power up or after a Reset instruction is 4. In QPI mode, the “Continuous Read Mode” bits M7-0 are also considered as dummy clocks. In the default setting, the data output will follow the Continuous Read Mode bits immediately.

“Continuous Read Mode” feature is also available in QPI mode for Fast Read Quad I/O instruction. Please refer to the description on previous pages.

“Wrap Around” feature is not available in QPI mode for Fast Read Quad I/O instruction. To perform a read operation with fixed data length wrap around in QPI mode, a dedicated “Burst Read with Wrap” (0Ch) instruction must be used. Please refer to 7.5.18 for details.

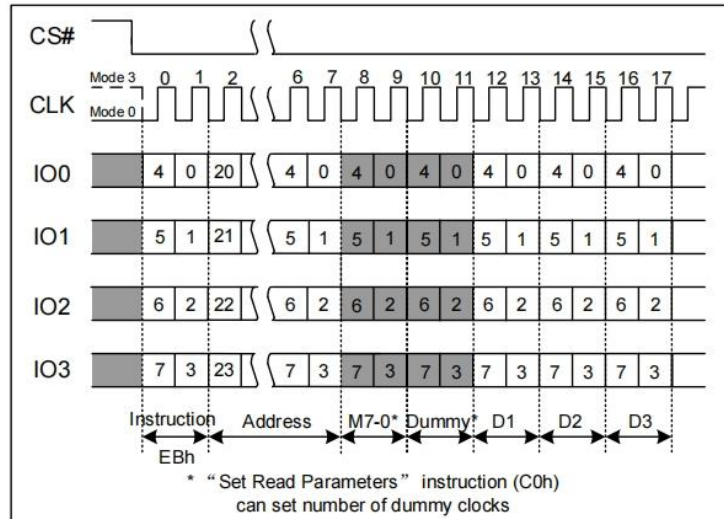


Figure 7.33 Fast Read Quad I/O Instruction(Initial command or previous M5-4 #10,QPI Mode)

Note: (1) 32-Bit Address is required when the device is operating in 4-Byte Address Mode

### 7.3.12 Fast Read Quad I/O with 4-Byte Address (ECh)

The Fast Read Quad I/O with 4-Byte Address instruction is similar to the Fast Read Quad I/O instruction except that it requires 32-bit address instead of 24-bit address. No matter the device is operating in 3-Byte Address Mode or 4-Byte Address Mode, the Fast Read Quad I/O with 4-Byte Address instruction will always require 32-bit address to access the entire 256Mb memory.

#### Fast Read Quad I/O with 4-Byte Address with “Continuous Read Mode”

The Fast Read Quad I/O with 4-Byte Address instruction can further reduce instruction overhead through setting the “Continuous Read Mode” bits (M7-0) after the input Address bits (A31-0), as shown in Figure 7.34a. The upper nibble of the (M7-4) controls the length of the next Fast Read Quad I/O instruction through the inclusion or exclusion of the first Byte instruction code. The lower nibble bits of the (M3-0) are don't care (“x”). However, the IO pins should be high-impedance prior to the falling edge of the first data out clock.

If the “Continuous Read Mode” bits M5-4 = (1,0), then the next Fast Read Quad I/O instruction (after CS# is raised and then lowered) does not require the ECh instruction code, as shown in Figure 7.34b. This reduces the instruction sequence by eight clocks and allows the Read address to be immediately entered after CS# is asserted low. If the “Continuous Read Mode” bits M5-4 do not equal to (1,0), the next instruction (after CS# is raised and then lowered) requires the first Byte instruction code, thus returning to normal operation.

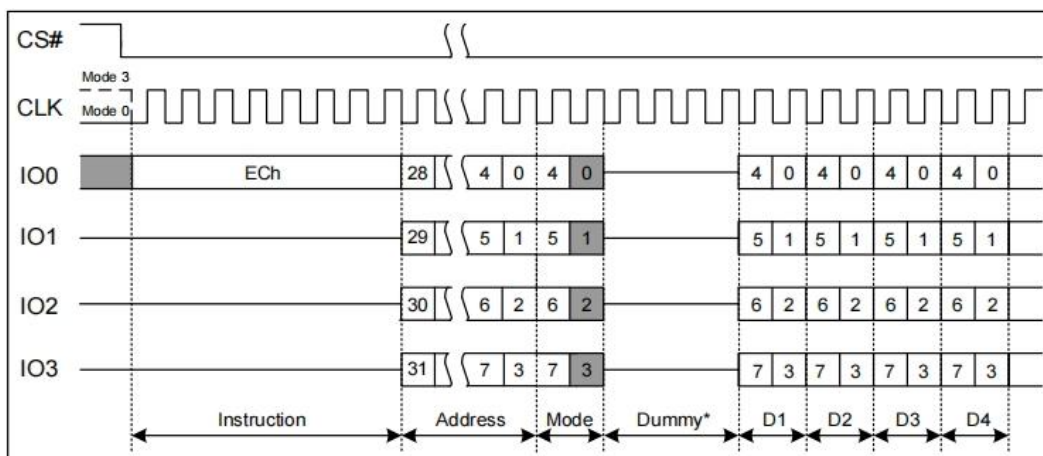


Figure 7.34a Fast Read Quad I/O with 4-Byte Address Instruction (M7-0 = FFh, SPI Mode)

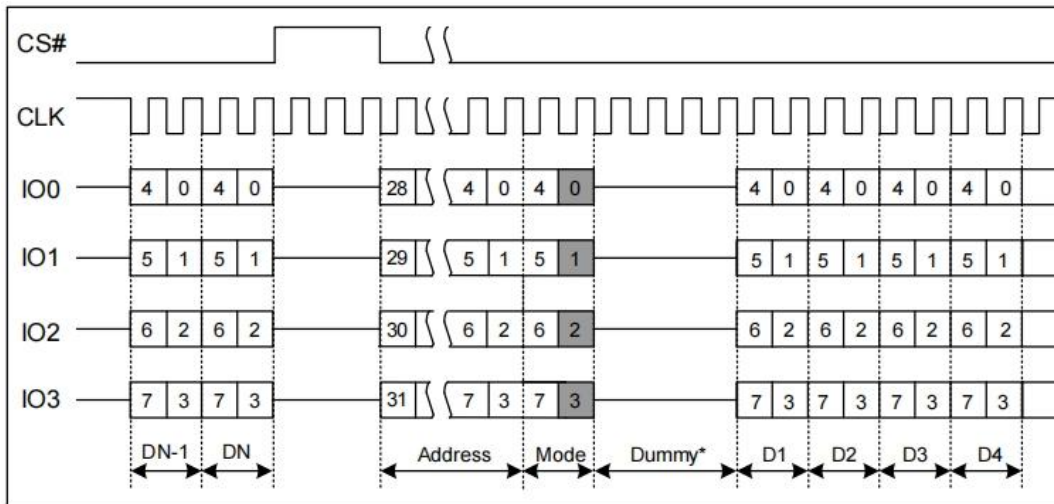


Figure 7.34b Fast Read Quad I/O with 4-Byte Address

(Previous instruction set M5-4 = 10, SPI Mode)

### Fast Read Quad I/O with 4-Byte Address with “8/16/32/64-Byte Wrap Around” in Standard SPI mode

The Fast Read Quad I/O with 4-Byte Address command can also be used to access a specific portion within a page by issuing a “Set Burst with Wrap” command prior to ECh. The “Set Burst with Wrap” command can either enable or disable the “Wrap Around” feature for the following ECh commands. When “Wrap Around” is enabled, the data being accessed can be limited to 8/16/32/64-Byte section of data. The output data starts at the initial address specified in the command, once it reaches the ending boundary of the 8/16/32/64-Byte section, the output will wrap around to the beginning boundary automatically until CS# is pulled high to terminate the command.

The Burst with Wrap feature allows applications that use cache to quickly fetch a critical address and then fill the cache afterwards within a fixed length (8/16/32/64-Bytes) of data without issuing multiple read commands.

The “Set Burst with Wrap” command allows three “Wrap Bits”, W6-4 to be set. The W4 bit is used to enable or disable the “Wrap Around” operation while W6-5 is used to specify the length of the wrap around section within a page. See Section 7.3.13, Set Burst with Wrap (77h).

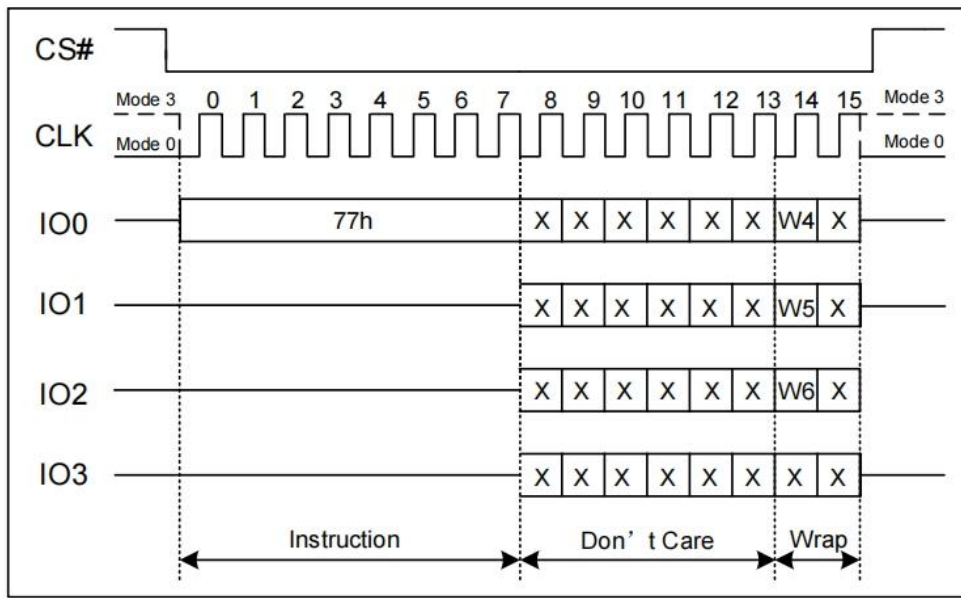
#### 7.3.13 Set Burst with Wrap (77h)

The Set Burst with Wrap (77h) command is used in conjunction with “Fast Read Quad I/O” commands to access a fixed length and alignment of 8/16/32/64-Bytes of data. Certain applications can benefit from this feature and improve the overall system code execution performance. This command loads the W4,W5,W6 bits. Similar to a Quad I/O command, the Set Burst with Wrap command is initiated by driving the CS# pin low and then shifting the instruction code “77h” followed by 24-dummy bits and 8 “Wrap Bits”, W7-0. The command sequence is shown in Figure 7.35, Set Burst with Wrap Command Sequence. Wrap bit W7 and the lower nibble W3-0 are not used.

W6, W5	W4=0		W4=1(DEFAULT)	
	Wrap Around	Wrap Length	Wrap Around	Wrap Length
0,0	Yes	8-Byte	No	N/A
0,1	Yes	16-Byte	No	N/A
1,0	Yes	32-Byte	No	N/A
1,1	Yes	64-Byte	No	N/A

Once W6-4 is set by a Set Burst with Wrap command, all the following “Fast Read Quad I/O” commands will use the W6-4 setting to access the 8/16/32/64-Byte section of data. Note, Status Register-2 QE bit must be set to 1 in order to use the Fast Read Quad I/O and Set Burst with Wrap commands. To exit the “Wrap Around” function and return to normal read operation, another Set Burst with Wrap command should be issued to set W4 = 1. The default value of W4 upon power on is 1.

In QPI mode, the “Burst Read with Wrap (0Ch)” instruction should be used to perform the Read operation with “Wrap Around” feature. The Wrap Length set by W6-5 in Standard SPI mode is still valid in QPI mode and can also be re-configured by “Set Read Parameters (C0h)” instruction. Refer to 7.5.17 and 7.5.18 for details.



**Figure 7.35 Set Burst with Wrap Instruction (SPI Mode only)**

**Note:** (1) 32-bit Address is required when the device is operating in 4-Byte Address Mode

## 7.4 Reset Commands

Software controlled Reset commands restore the device to its initial power up state, by reloading volatile registers from non-volatile default values. If a software reset is initiated during a Erase, Program or Writing Register operation the data in that Sector, Page or Register is not stable, the operation that was interrupted needs to be initiated again. Once the Reset instruction is accepted, any on-going internal operations will be terminated and the device will return to its default power-on state and lose all the current volatile settings, such as Volatile Status Register bits, Write Enable Latch (WEL) status, Program / Erase Suspend status, Deep Power Down status, Read parameter setting (P7-P0), Continuous Read Mode bits (M5-4) and Wrap Bit setting (W6-W4).

A software reset is initiated by the Software Reset Enable command (66h) followed by Software Reset command (99h) and then executed when CS# is brought high after  $t_{RCH}$  time at the end of the Software Reset instruction and requires  $t_{RST}$  time before executing the next Instruction after the Software Reset. See Figure 7.36, Software Reset Input Timing. Note that CS# must be brought high after  $t_{RCH}$  time, or the Software Reset will not be executed.

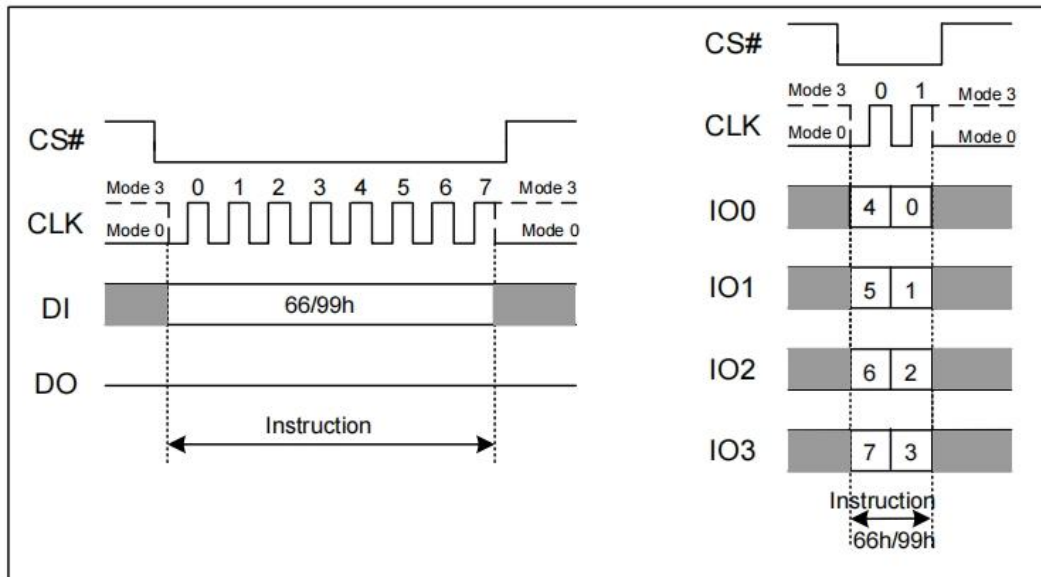


Figure 7.36 Software Reset Instruction(SPI and QPI Mode)

### 7.4.1 Software Reset Enable (66h)

The Reset Enable (66h) command is required immediately before a software reset command (99h) such that a software reset is a sequence of the two commands. Any command other than Reset (99h) following the Reset Enable (66h) command, will clear the reset enable condition and prevent a later Reset (99h) command from being recognized.

### 7.4.2 Software Reset (99h)

The Reset (99h) command immediately following a Reset Enable (66h) command, initiates the software reset process. Any command other than Reset (99h) following the Reset Enable (66h) command, will clear the reset enable condition and prevent a later Reset (99h) command from being recognized.

## 7.5 ID and Security Commands

### 7.5.1 Deep Power-down (DP) (B9h)

Although the standby current during normal operation is relatively low, standby current can be further reduced with the Power-down instruction. The lower power consumption makes the Power-down instruction especially useful for battery powered applications (See ICC1 and ICC2 in AC Characteristics). The instruction is initiated by driving the CS# pin low and shifting the instruction code "B9h" as shown in Figure 7.37.

The CS# pin must be driven high after the eighth bit has been latched. If this is not done, the Powerdown instruction will not be executed. After CS# is driven high, the power-down state will enter within the time duration of  $t_{DP}$  (See AC Characteristics). While in the power-down state only the Release from Power-down / Device ID and software reset instruction, which restores the device to normal operation, will be recognized. All other instructions are ignored. This includes the Read Status Register instruction, which is always available during normal operation. Ignoring all but one instruction makes the Power Down state a useful condition for securing maximum write protection. The device always powers-up in the normal operation with the standby current of ICC1.



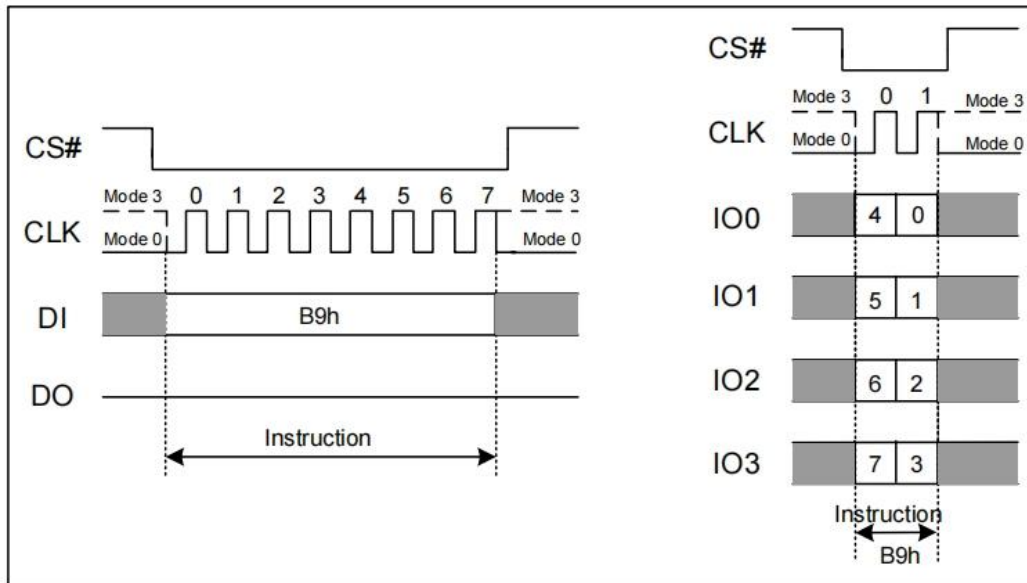


Figure 7.37 Deep Power-down Instruction(SPI and QPI Mode)

### 7.5.2 Release Power-down / Device ID (ABh)

The Release from Power-down / Device ID instruction is a multi-purpose instruction. It can be used to release the device from the power-down state, obtain the devices electronic identification (ID) number or both.

To release the device from the power-down state, the instruction is issued by driving the CS# pin low, shifting the instruction code “ABh” and driving CS# high as shown in Figure 7.38a. After the time duration of  $t_{RES1}$  (See AC Characteristics) the device will resume normal operation and other instructions will be accepted. The CS# pin must remain high during the  $t_{RES1}$  time duration.

When used only to obtain the Device ID during the non-power-down state, the instruction is initiated by driving the CS# pin low and shifting the instruction code “ABh” followed by 3-dummy Bytes. The Device ID bits will then be shifted out on the falling edge of CLK with most significant bit (MSB) first as shown in Figure 7.38b. The Device ID value for the HG25Q256 is listed in Manufacturer and Device Identification table. The Device ID can be read continuously. The instruction is completed by driving CS# high.

When used to release the device from the power-down state and obtain the Device ID, the instruction is the same as previously described, and shown in Figure 7.38, except that after CS# is driven high it must remain high for a time duration of  $t_{RES2}$  (See AC Characteristics). After this time duration the device will resume normal operation and other instructions will be accepted. If the Release from Power-down / Device ID instruction is issued within Erase, Program or Write cycle (when BUSY equals 1), the instruction is ignored and will not have any effects on the current cycle.

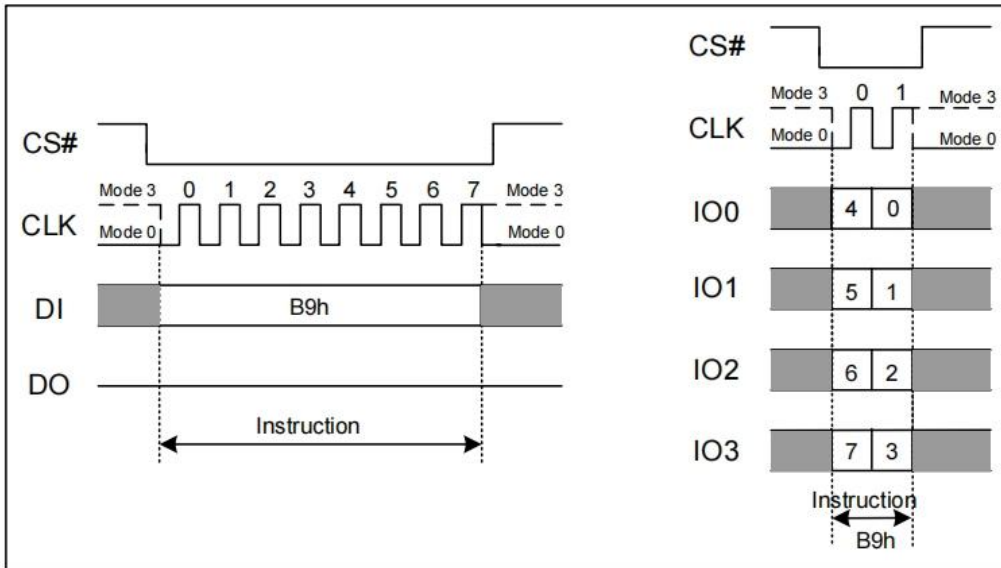


Figure 7.38 a Release Power-down Instruction(SPI and QPI Mode)

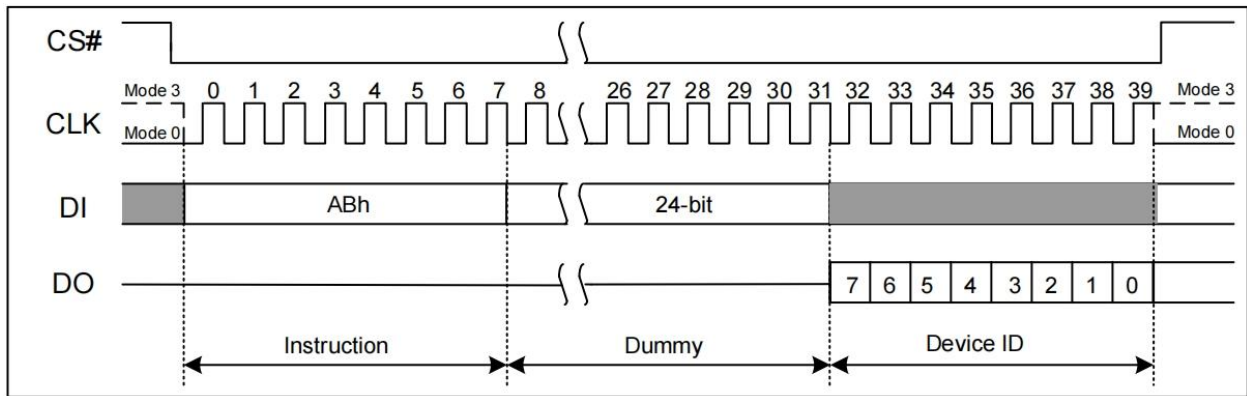


Figure 7.38b Release Power-down / Device ID(SPI Mode)

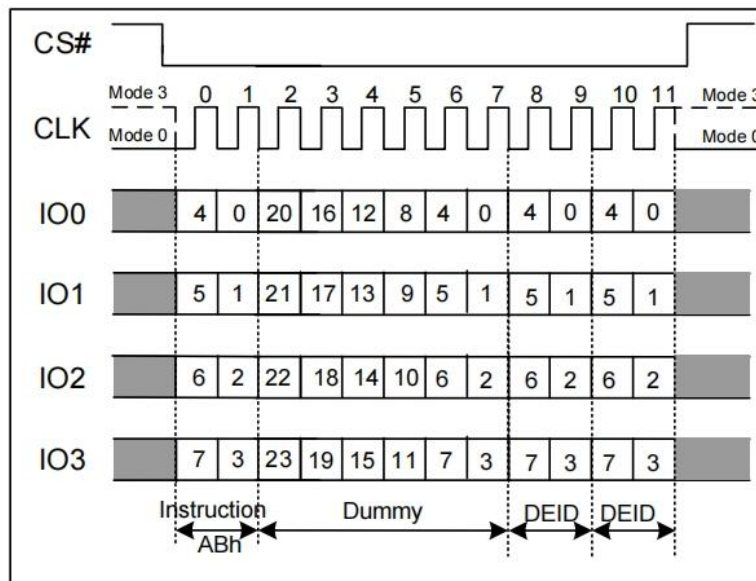


Figure 7.38c Release Power-down / Device ID(QPI Mode)

### 7.5.3 Read Manufacturer / Device ID (90h)

The Read Manufacturer/Device ID instruction is an alternative to the Release from Power-down/Device ID instruction that provides both the JEDEC assigned manufacturer ID and the specific device ID.

The Read Manufacturer/Device ID instruction is very similar to the Release from Power-down / Device ID instruction. The instruction is initiated by driving the CS# pin low and shifting the instruction code “90h” followed by a 24-bit address (A23-A0) of 000000h. After which, the Manufacturer ID and the Device ID are shifted out on the falling edge of CLK with most significant bit (MSB) first as shown in Figure 7.39. If the 24-bit address is initially set to 000001h the Device ID will be read first and then followed by the Manufacturer ID. The Manufacturer and Device IDs can be read continuously, alternating from one to the other. The command is completed by driving CS# high.

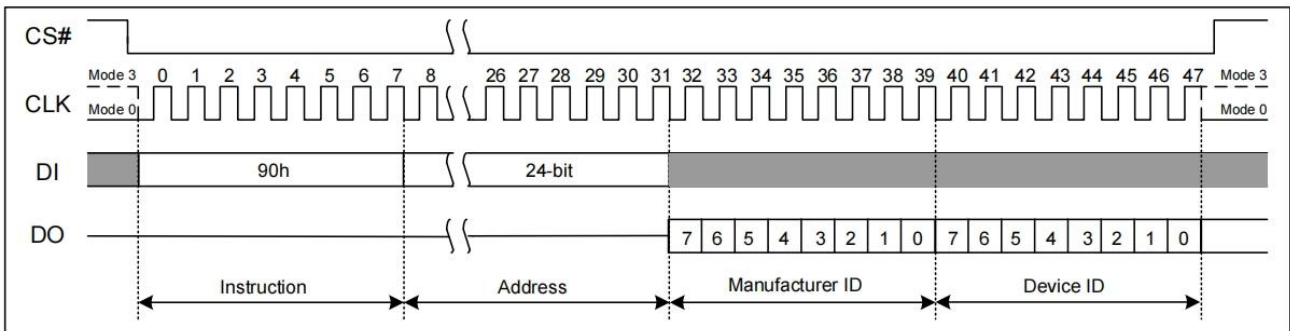


Figure 7.39 Read Manufacturer/Device ID (SPI Mode)

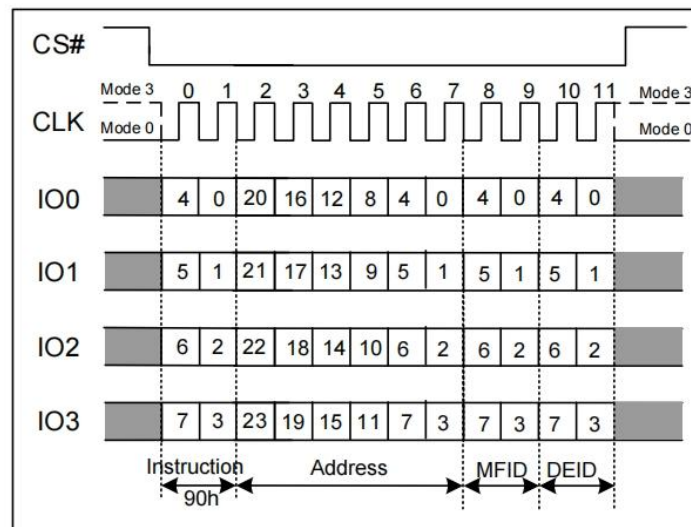


Figure 7.40 Read Manufacturer/Device ID (QPI Mode)

### 7.5.4 Read Identification (RDID) (9Fh)

For compatibility reasons, the HG25Q256 provides several instructions to electronically determine the identity of the device. The Read JEDEC ID instruction is compatible with the JEDEC standard for SPI compatible serial memories that was adopted in 2003.

The instruction is initiated by driving the CS# pin low and shifting the instruction code “9Fh” for SPI, “9Fh” for QPI. The JEDEC assigned Manufacturer ID Byte and two Device ID Bytes, Memory Type (ID15-ID8) and Capacity (ID7-ID0) are then shifted out on the falling edge of CLK with most significant bit (MSB) first as shown in Figure 7.41. For memory type and capacity values, refer to Manufacturer and Device Identification table.

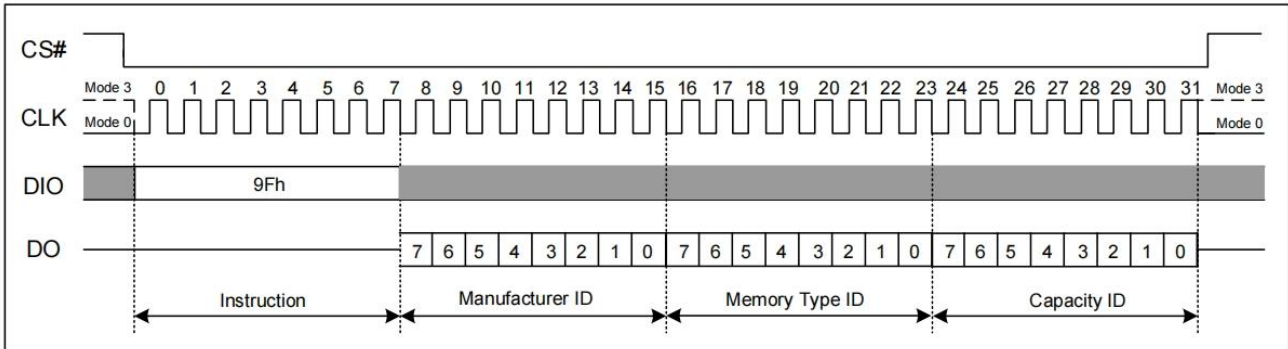


Figure 7.41 Read JEDEC ID(SPI Mode)

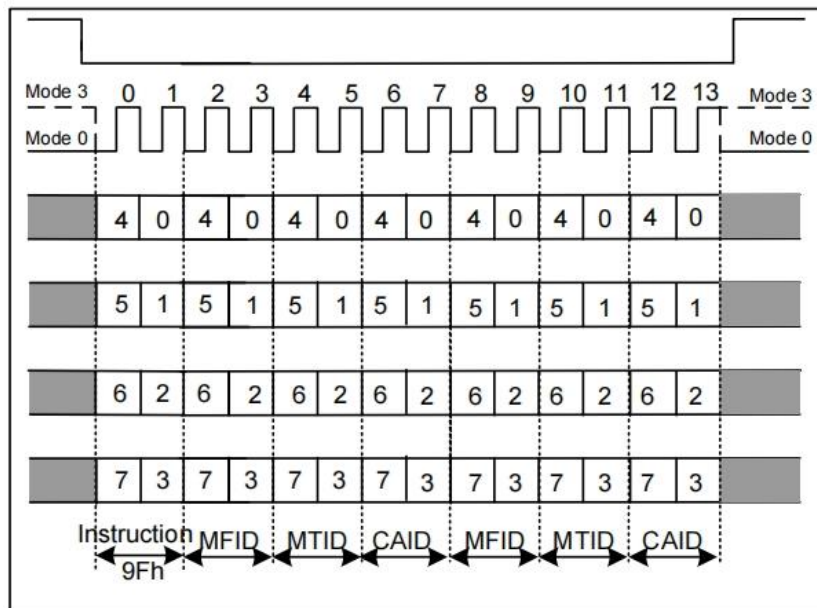
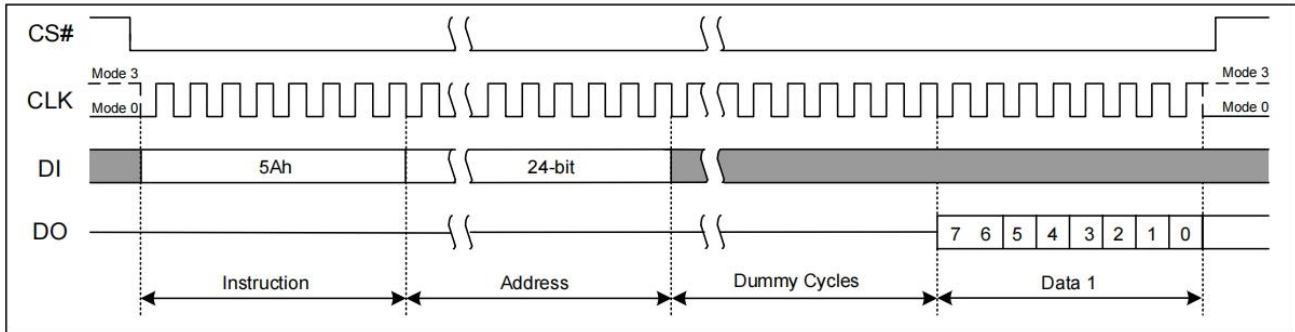


Figure 7.42 Read JEDEC ID (QPI Mode)

### 7.5.5 Read SFDP Register (5Ah)

The Read SFDP command is initiated by driving the CS# pin low and shifting the instruction code “5Ah” followed by a 24-bit address (A23-A0) into the DI pin. Eight “dummy” clocks are also required before the SFDP register contents are shifted out on the falling edge of the 40th CLK with most significant bit (MSB) first as shown in Figure 7.43.

**Note:** (1) A23-A8 = 0; A7-A0 are used to define the starting Byte address for the 256-Byte SFDP Register.



**Figure 7.43 Read SFDP Register Instruction**

**Note:**(1) Only 24-Bit Address is required when the device is operating in either 3-Byte or 4-Byte Address Mode

### 7.5.6 Erase Security Registers (44h)

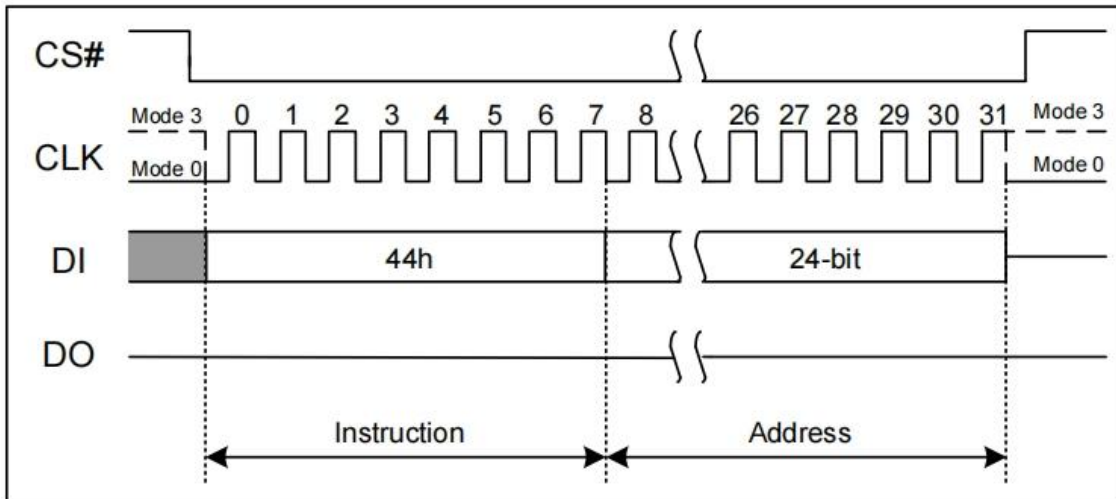
The HG25Q256 offers three 1024 -Byte Security Registers which can be erased and programmed individually. These registers may be used by system manufacturers to store security and other important information separately from the main memory array.

The Erase Security Register command is similar to the Sector Erase command. A Write Enable command must be executed before the device will accept the Erase Security Register Command (Status Register bit WEL must equal to 1). The command is initiated by driving the CS# pin low and shifting the instruction code “44h” followed by a 32/24-bit address (A31/A23-A0) to erase one of the security registers.

Address	A31/A23-16	A15-12	A11-8	A7-0
Security Register-1	0000h/00h	0001b	0000b	xxh
Security Register-2	0000h/00h	0010b	0000b	xxh
Security Register-3	0000h/00h	0011b	0000b	xxh

**Note:** (1) Addresses outside the ranges in the table have undefined results.

The Erase Security Register command sequence is shown in Figure 7.44. The CS# pin must be driven high after the eighth bit of the last Byte has been latched. If this is not done the command will not be executed. After CS# is driven high, the self-timed Erase Security Register operation will commence for a time duration of tSE (see Section 8.5, AC Electrical Characteristics). While the Erase Security Register cycle is in progress, the Read Status Register command may still be accessed for checking the status of the BUSY bit. The BUSY bit is a 1 during the erase cycle and becomes a 0 when the cycle is finished and the device is ready to accept other commands again. After the Erase Security Register cycle has finished the Write Enable Latch (WEL) bit in the Status Register is cleared to 0. The Security Register Lock Bits (LB[3:1]) in the Status Register-2 can be used to OTP protect the security registers. Once a lock bit is set to 1, the corresponding security register will be permanently locked, and an Erase Security Register command to that register will be ignored.



**Figure 7.44 Erase Security Registers Instruction (SPI Mode only)**

**Note:** (1) 32-bit Address is required when the device is operating in 4-Byte Address Mode

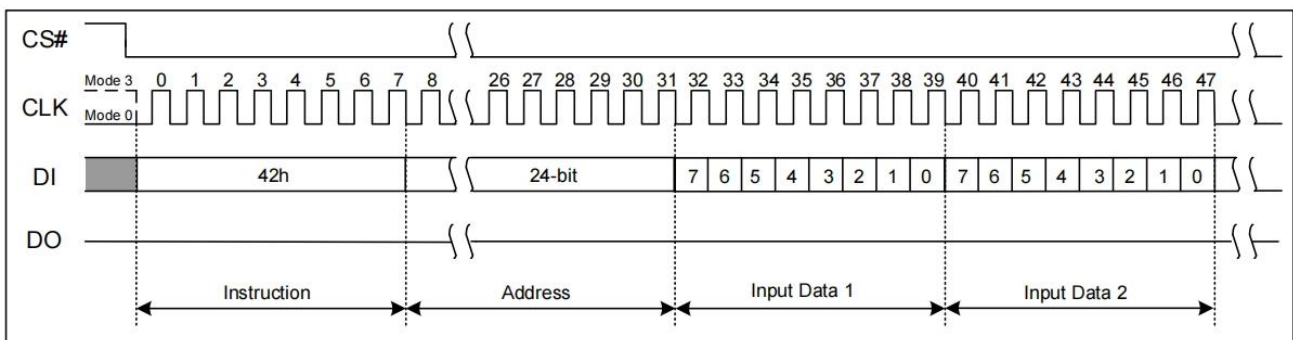
### 7.5.7 Program Security Registers (42h)

The Program Security Register command is similar to the Page Program command. It allows from one Byte to 256 Bytes of security register data to be programmed at previously erased memory locations. A Write Enable command must be executed before the device will accept the Program Security Register Command (Status Register bit WEL= 1). The command is initiated by driving the CS# pin low then shifting the instruction code “42h” followed by a 32/24-bit address (A31/A23-A0) and at least one data Byte, into the DI pin. The CS# pin must be held low for the entire length of the command while data is being sent to the device.

Address	A31/A23-16	A15-12	A11-8	A7-0
Security Register-1	0000h/00h	0001b	0000b	Byte Address
Security Register-2	0000h/00h	0010b	0000b	Byte Address
Security Register-3	0000h/00h	0011b	0000b	Byte Address

**Note:** (1) Addresses outside the ranges in the table have undefined results.

The Program Security Register command sequence is shown in Figure 7.45. The Security Register Lock Bits (LB3:1) in the Status Register-2 can be used to OTP protect the security registers. Once a lock bit is set to 1, the corresponding security register will be permanently locked, and a Program Security Register command to that register will be ignored.



**Figure 7.45 Program Security Registers Instruction (SPI Mode only)**

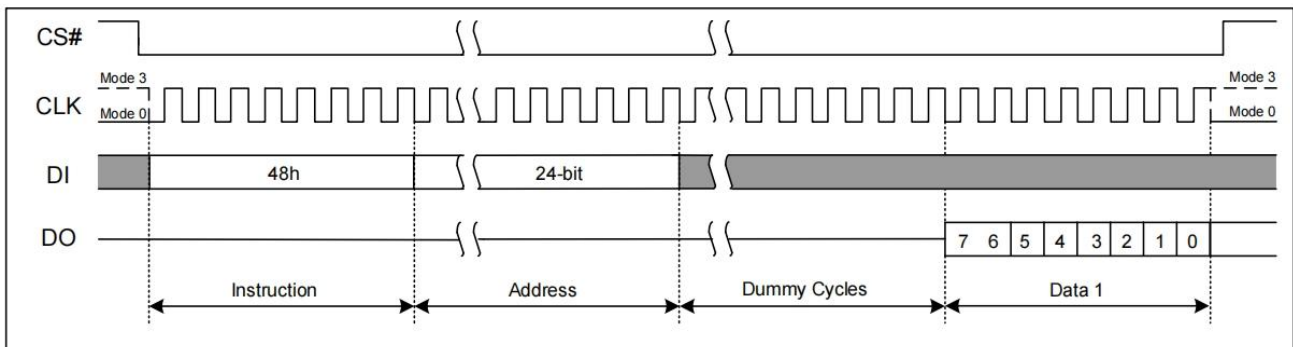
**Note:** (1) 32-Bit Address is required when the device is operating in 4-Byte Address Mode

### 7.5.8 Read Security Registers (48h)

The Read Security Register command is similar to the Fast Read command and allows one or more data Bytes to be sequentially read from one of the three security registers. The command is initiated by driving the CS# pin low and then shifting the instruction code “48h” followed by a 32/24-bit address (A31/A23-A0) and eight “dummy” clocks into the DI pin. The code and address bits are latched on the rising edge of the CLK pin. After the address is received, and following the eight dummy cycles, the data Byte of the addressed memory location will be shifted out on the DO pin at the falling edge of CLK with most significant bit (MSB) first. Locations with address bits A31/A23-A16 not equal to zero, have undefined data. The Byte address is automatically incremented to the next Byte address after each Byte of data is shifted out. Once the Byte address reaches the last Byte of the register (FFh), it will reset to the first Byte of the register (00h) and continue to increase. The command is completed by driving CS# high. The Read Security Register command sequence is shown in Figure 7.46. If a Read Security Register command is issued while an Erase, Program, or Write cycle is in process (BUSY=1), the command is ignored and will not have any effects on the current cycle. The Read Security Register command allows clock rates from DC to a maximum of FR (see Section 8.5, AC Electrical Characteristics).

Address	A31/A23-16	A15-12	A11-8	A7-0
Security Register-1	0000h/00h	0001b	0000b	Byte Address
Security Register-2	0000h/00h	0010b	0000b	Byte Address
Security Register-3	0000h/00h	0011b	0000b	Byte Address

**Note:** (1) Addresses outside the ranges in the table have undefined results.



**Figure 7.46 Read Security Registers Instruction (SPI Mode only)**

**Note:** (1) 32-Bit Address is required when the device is operating in 4-Byte Address Mode

### 7.5.9 Individual Block/Sector Lock (36h)

The Individual Block/Sector Lock provides an alternative way to protect the memory array from adverse Erase/Program. In order to use the Individual Block/Sector Locks, the WPS bit in Status Register-3 must be set to 1. If WPS=0, the write protection will be determined by the combination of CMP, TB, SEC BP[2:0] bits in the Status Registers. The Individual Block/Sector Lock bits are volatile bits. The default values after device power up or after a Reset are 1, so the entire memory array is being protected.

To lock a specific block or sector as illustrated in Figure 7.47, an Individual Block/Sector Lock command must be issued by driving CS# low, shifting the instruction code “36h” into the Data Input (DI) pin on the rising edge of CLK, followed by a 24/32-bit address and then driving CS# high. A Write Enable instruction must be executed before the device will accept the Individual Block/Sector Lock Instruction (Status Register bit WEL= 1).

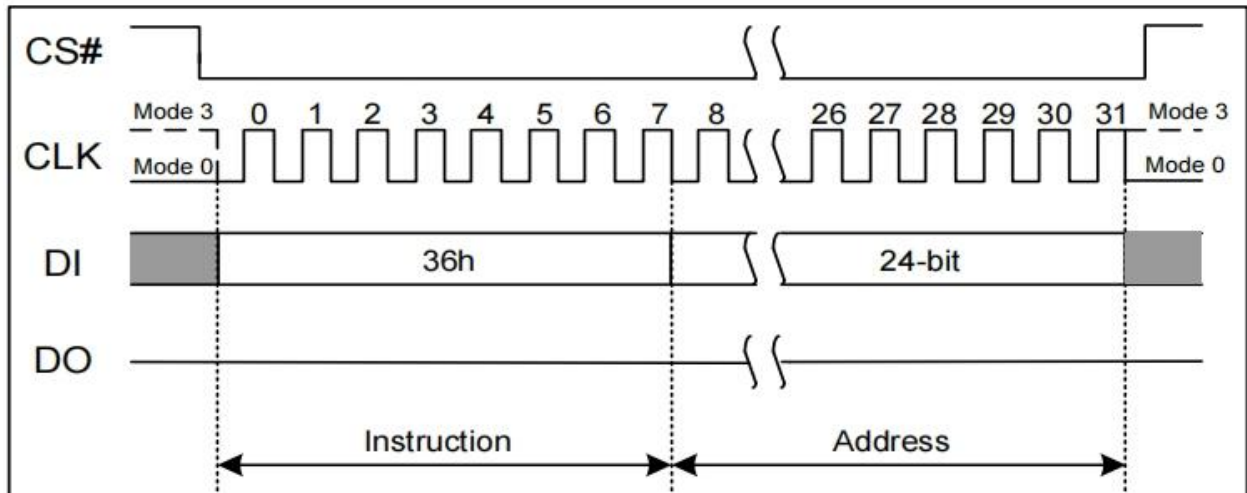


Figure 7.47 Individual Block/Sector Lock Instruction(SPI Mode)

Note: (1) 32-Bit Address is required when the device is operating in 4-Byte Address Mode

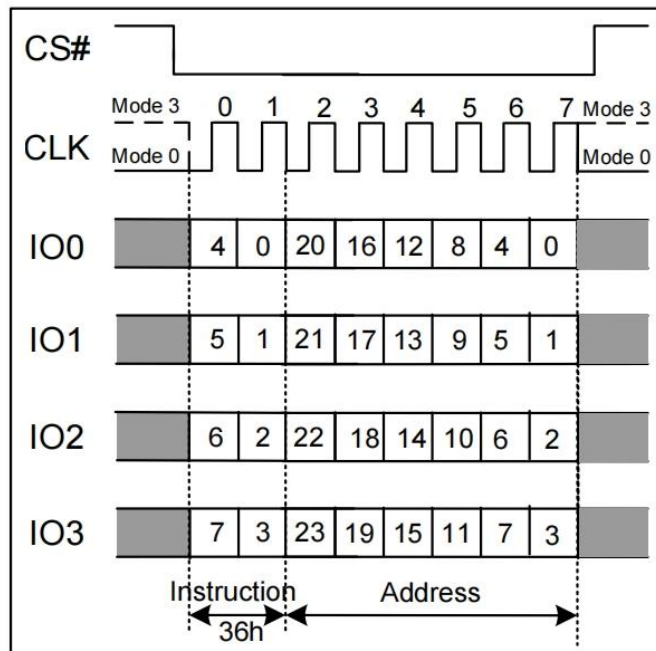


Figure 7.48 Individual Block/Sector Lock Instruction(QPI Mode)

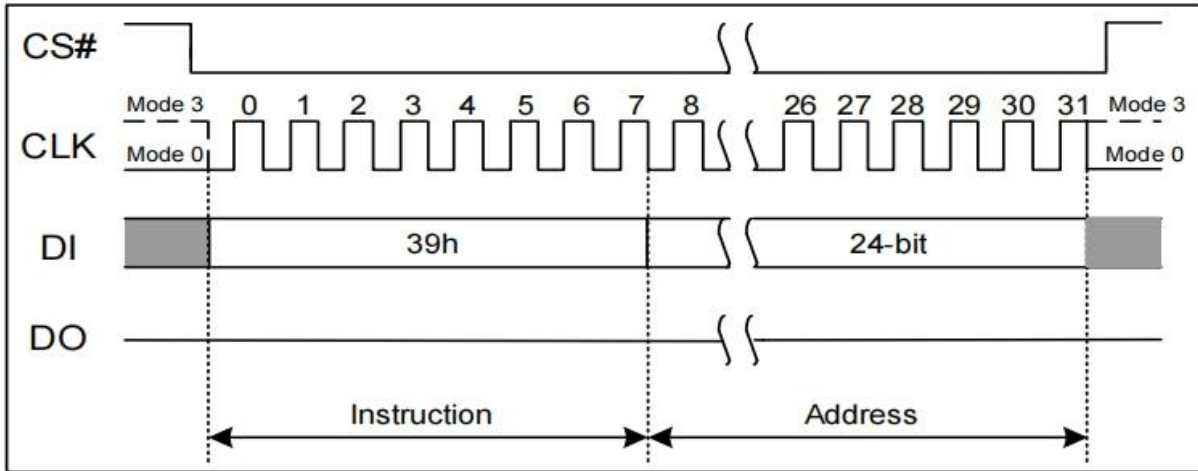
Note: (1) 32-Bit Address is required when the device is operating in 4-Byte Address Mode

### 7.5.10 Individual Block/Sector Unlock (39h)

The Individual Block/Sector Lock provides an alternative way to protect the memory array from adverse Erase/Program. In order to use the Individual Block/Sector Locks, the WPS bit in Status Register-3 must be set to 1. If WPS=0, the write protection will be determined by the combination of CMP, TB, SEC BP[2:0] bits in the Status Registers. The Individual Block/Sector Lock bits are volatile bits. The default values after device power up or after a Reset are 1, so the entire memory array is being protected.

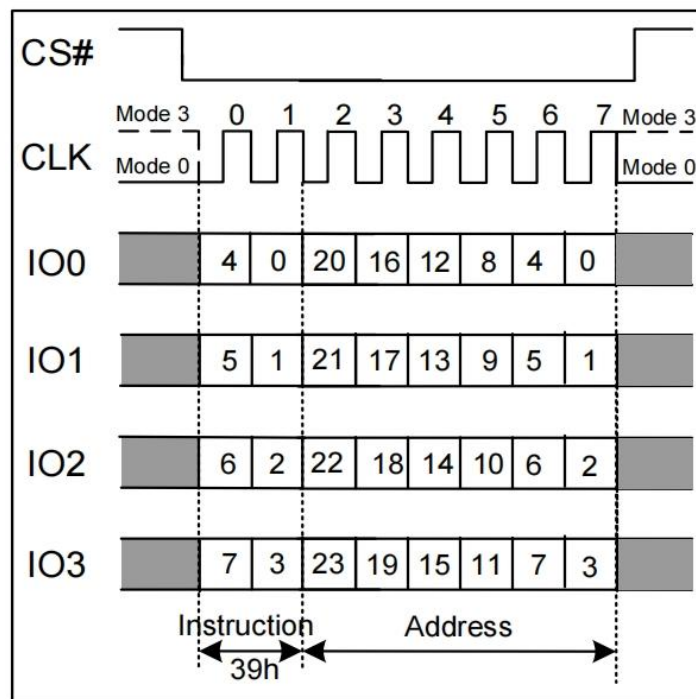


To unlock a specific block or sector as illustrated in Figure 7.49, an Individual Block/Sector Unlock command must be issued by driving CS# low, shifting the instruction code “39h” into the Data Input (DI) pin on the rising edge of CLK, followed by a 24/32-bit address and then driving CS# high. A Write Enable instruction must be executed before the device will accept the Individual Block/Sector Unlock Instruction (Status Register bit WEL= 1).



**Figure 7.49 Individual Block/Sector Unlock Instruction(SPI Mode)**

**Note:** (1) 32-Bit Address is required when the device is operating in 4-Byte Address Mode



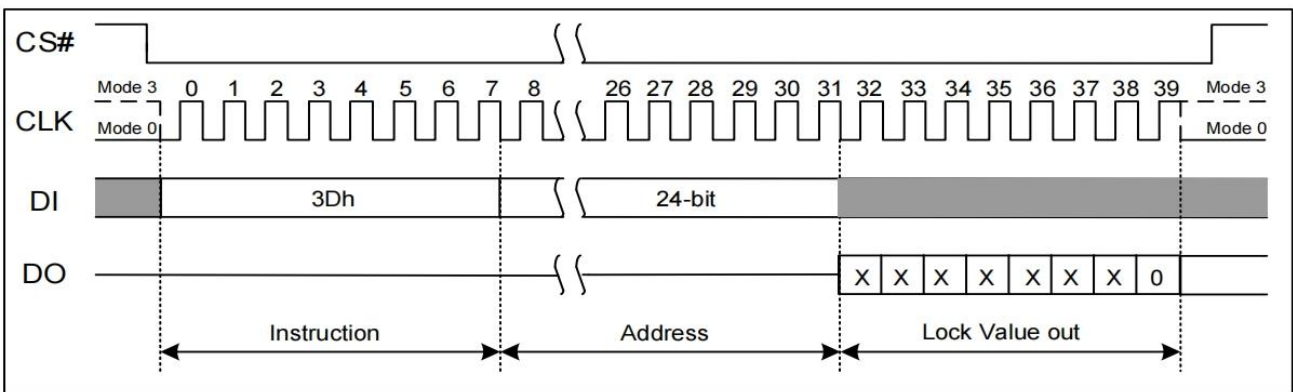
**Figure 7.49b Individual Block/Sector Unlock Instruction(QPI Mode)**

**Note:** (1) 32-Bit Address is required when the device is operating in 4-Byte Address Mode

### 7.5.11 Read Block/Sector Lock (3Dh)

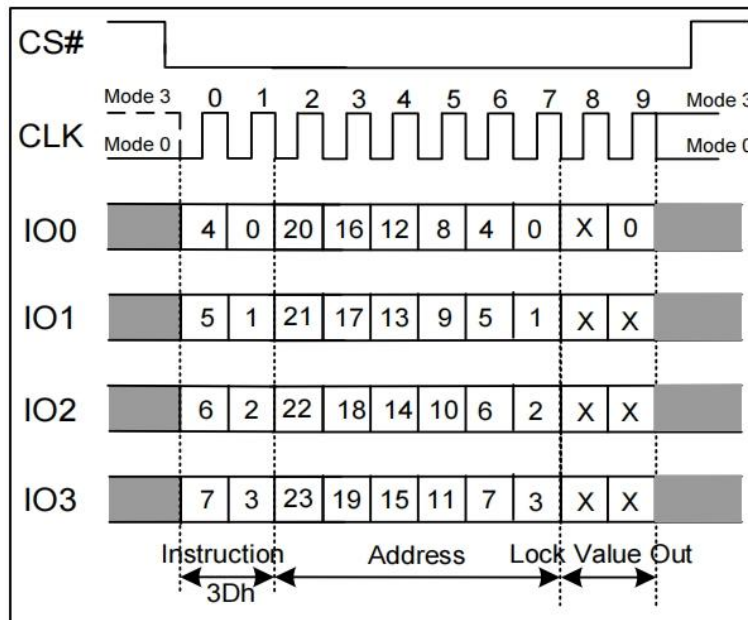
The Individual Block/Sector Lock provides an alternative way to protect the memory array from adverse Erase/Program. In order to use the Individual Block/Sector Locks, the WPS bit in Status Register-3 must be set to 1. If WPS=0, the write protection will be determined by the combination of CMP, TB, SEC BP[2:0] bits in the Status Registers. The Individual Block/Sector Lock bits are volatile bits. The default values after device power up or after a Reset are 1, so the entire memory array is being protected.

To read out the lock bit value of a specific block or sector as illustrated in Figure 7.50, a Read Block/Sector Lock command must be issued by driving CS# low, shifting the instruction code “3Dh” into the Data Input (DI) pin on the rising edge of CLK, followed by a 24/32-bit address. The Block/Sector Lock bit value will be shifted out on the DO pin at the falling edge of CLK with most significant bit (MSB) first as shown in Figure 7.50. If the least significant bit (LSB) is 1, the corresponding block/sector is locked; if LSB=0, the corresponding block/sector is unlocked, Erase/Program operation can be performed.



**Figure 7.50a Read Block Lock Instruction(SPI Mode)**

**Note:** (1) 32-Bit Address is required when the device is operating in 4-Byte Address Mode



**Figure 7.50b Read Block Lock Instruction(QPI Mode)**

**Note:** (1) 32-Bit Address is required when the device is operating in 4-Byte Address Mode

### 7.5.12 Global Block/Sector Lock (7Eh)

All Block/Sector Lock bits can be set to 1 by the Global Block/Sector Lock instruction. The command must be issued by driving CS# low, shifting the instruction code "7Eh" into the Data Input (DI) pin on the rising edge of CLK, and then driving CS# high. A Write Enable instruction must be executed before the device will accept the Global Block/Sector Lock Instruction (Status Register bit WEL=1).

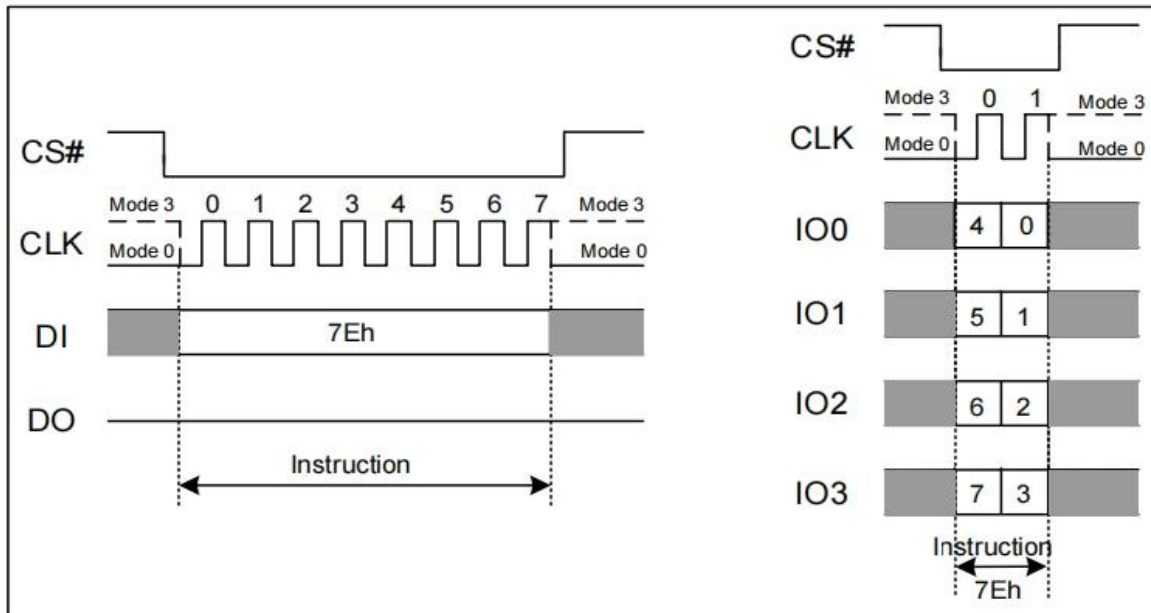


Figure 7.51 Global Block Lock Instruction(SPI or QPI Mode)

### 7.5.13 Global Block/Sector Unlock (98h)

All Block/Sector Lock bits can be set to 0 by the Global Block/Sector Unlock instruction. The command must be issued by driving CS# low, shifting the instruction code "98h" into the Data Input (DI) pin on the rising edge of CLK, and then driving CS# high. A Write Enable instruction must be executed before the device will accept the Global Block/Sector Unlock Instruction (Status Register bit WEL= 1).

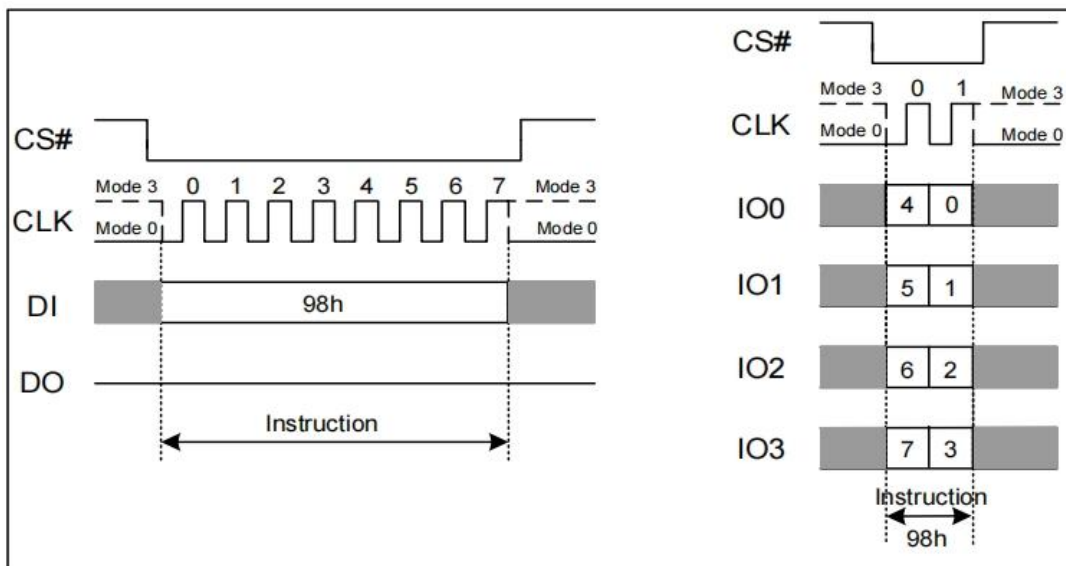


Figure 7.24 Global Block Lock Instruction(SPI or QPI Mode)

### 7.5.14 Read Manufacturer / Device ID Dual I/O (92h)

The Read Manufacturer / Device ID Dual I/O instruction is an alternative to the Read Manufacturer / Device ID instruction that provides both the JEDEC assigned manufacturer ID and the specific device ID at 2x speed.

The Read Manufacturer / Device ID Dual I/O instruction is similar to the Fast Read Dual I/O instruction. The instruction is initiated by driving the CS# pin low and shifting the instruction code “92h” followed by a 24/32-bit address (A23/A31-A0) of 000000h, but with the capability to input the Address bits two bits per clock. After which, the Manufacturer ID and the Device ID are shifted out 2 bits per clock on the falling edge of CLK with most significant bits (MSB) first as shown in Figure 7.53. If the 24/32-bit address is initially set to 000001h/00000001h the Device ID will be read first. The Device ID values for the HG25Q256 are listed in Manufacturer and Device Identification table. The Manufacturer and Device IDs can be read continuously, alternating from one to the other. The instruction is completed by driving CS# high.

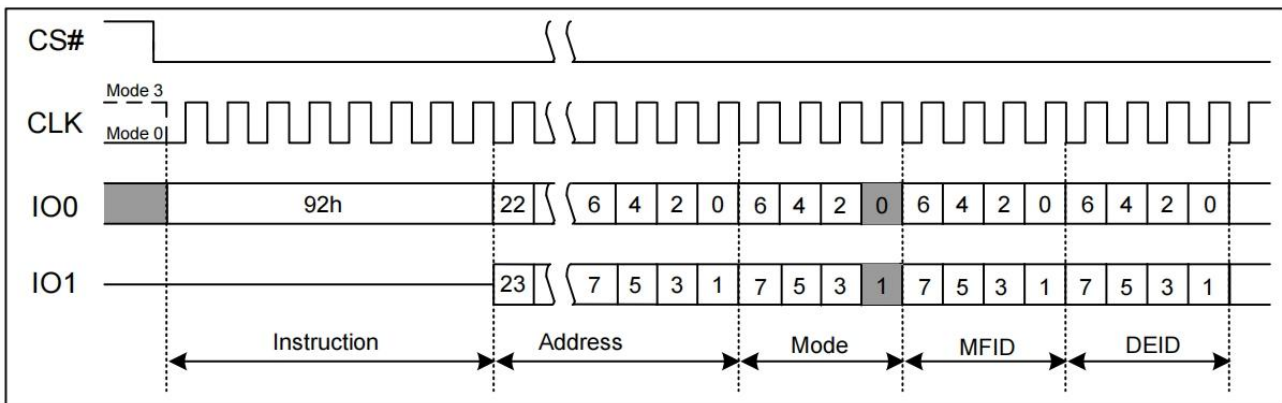


Figure 7.25 Read Manufacturer/Device ID Dual I/O Instruction

**Note:**

- (1) The “Continuous Read Mode” bits M7-0 must be set to Fxh to be compatible with Fast Read Dual I/O instruction.
- (2) 32-Bit Address is required when the device is operating in 4-Byte Address Mode

### 7.5.15 Read Manufacturer / Device ID Quad I/O (94h)

The Read Manufacturer / Device ID Quad I/O instruction is an alternative to Read Manufacturer / Device ID instruction that provides both the JEDEC assigned manufacturer ID and the specific device ID at 4 x speeds.

The Read Manufacturer / Device ID Quad I/O instruction is similar to the Fast Read Quad I/O instruction. The instruction is initiated by driving the CS# pin low and shifting the instruction code “94h” followed by a 24/32-bit address(A23/A31-A0) of 000000h, 8-bit Continuous Read Mode Bits and then four clock dummy cycles, with the capability to input the Address bits four bits per clock. After that, the Manufacturer ID and the Device ID are shifted out four bits per clock on the falling edge of CLK with most significant bit (MSB) first as shown in Figure 7.54. If the 24/32-bit address is initially set to 000001h/00000001h the Device ID will be read first. The Device ID values for HG25Q256 are listed in Manufacturer and Device Identification table. The Manufacturer and Device IDs can be read continuously, alternating from one to the other. The instruction is completed by driving CS# high.

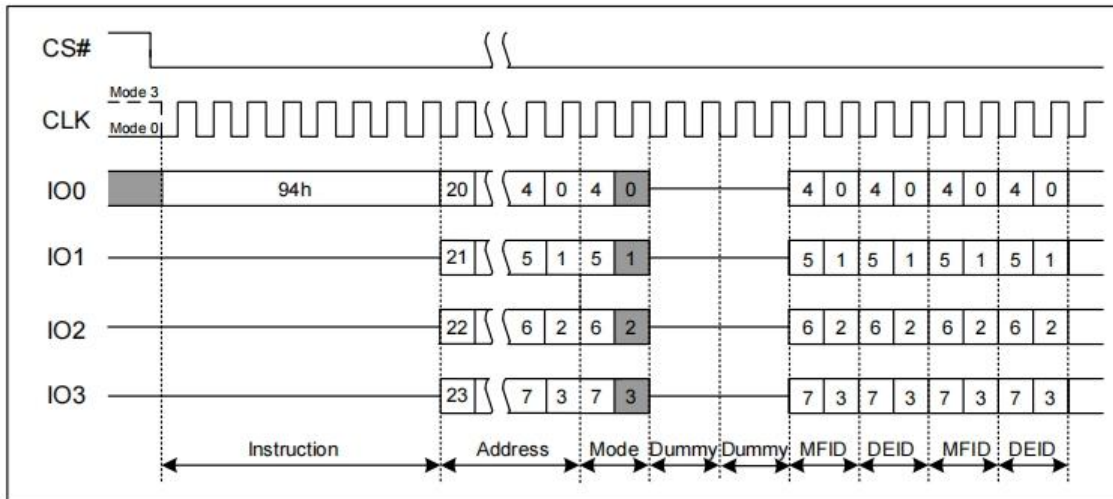


Figure 7.26 Read Manufacturer/Device ID Quad I/O Instruction

**Note:**

- (1) The "Continuous Read Mode" bits M7-0 must be set to Fxh to be compatible with Fast Read Quad I/O instruction.
- (2) 32-Bit Address is required when the device is operating in 4-Byte Address Mode

**7.5.16 Read Unique ID Number (4Bh)**

The Read Unique ID Number instruction accesses a factory-set read-only 128-bit number which is unique to each HG25Q256 device. The ID number can be used in conjunction with user software methods to help prevent copying or cloning of a system. The Read Unique ID instruction is initiated by driving the CS# pin low and shifting the instruction code "4Bh" followed by a 32/24-bit address (A31/A23-A0) and one Byte dummy clock. After that, the 128-bit ID is shifted out on the falling edge of CLK as shown in Figure 7.55.

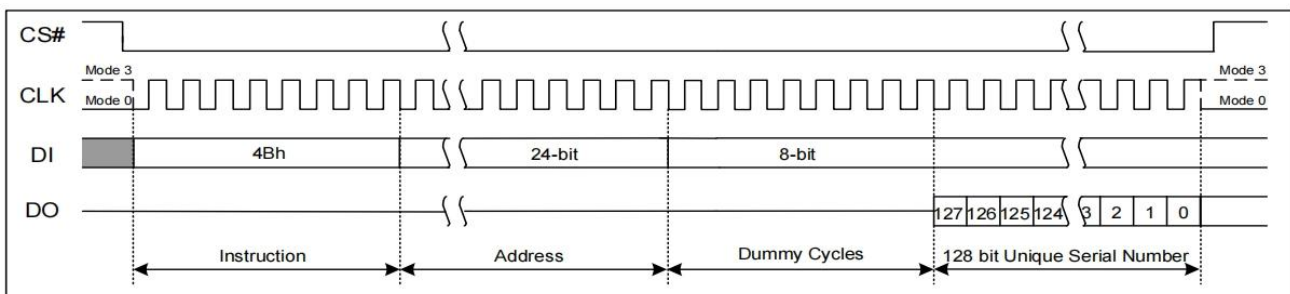


Figure 7.27 Read unique ID Number Instruction (SPI Mode only)

**Note:** (1) 4 Bytes Address and 1 Byte Dummy are required when the device is operating in 4-Byte Address Mode

**7.5.17 Set Read Parameters (C0h)**

In QPI mode, to accommodate a wide range of applications with different needs for either maximum read frequency or minimum data access latency, "Set Read Parameters (C0h)" instruction can be used to configure the number of dummy clocks for "Fast Read (0Bh)", "Fast Read Quad I/O (EBh)" & "Burst Read with Wrap (0Ch)" instructions, and to configure the number of Bytes of "Wrap Length" for the "Burst Read with Wrap (0Ch)" instruction.

In Standard SPI mode, the "Set Read Parameters (C0h)" instruction is not accepted. The "Wrap Length" is set by W6-5 bit in the "Set Burst with Wrap (77h)" instruction. This setting will remain unchanged when the device is switched between Standard SPI mode and QPI mode.

The default “Wrap Length” after a power up or a Reset instruction is 8 Bytes, the default number of dummy clocks is 4. The number of dummy clocks is only programmable for “Fast Read (0Bh)”, “Fast Read Quad I/O (EBh)” & “Burst Read with Wrap (0Ch)” instructions in the QPI mode. Whenever the device is switched from SPI mode to QPI mode, the number of dummy clocks should be set again, prior to any 0Bh, EBh or 0Ch instructions.

P5-P4	DUMMY CLOCKS	MAXIMUM READ FREQ.
00	4	80MHz
01	6	80MHz
10	8	104MHz
11	8	133MHz
P1-P0	WRAP LENGTH	
00	8-Byte	
01	16-Byte	
10	32-Byte	
11	64-Byte	

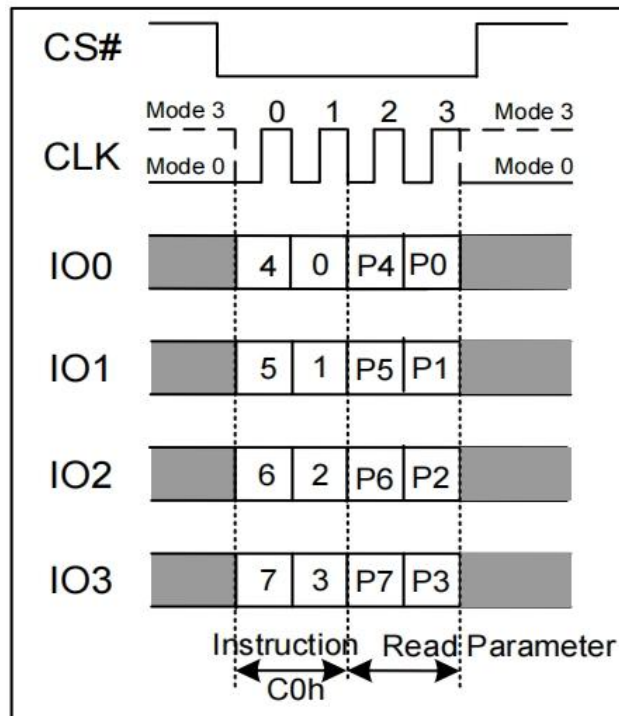
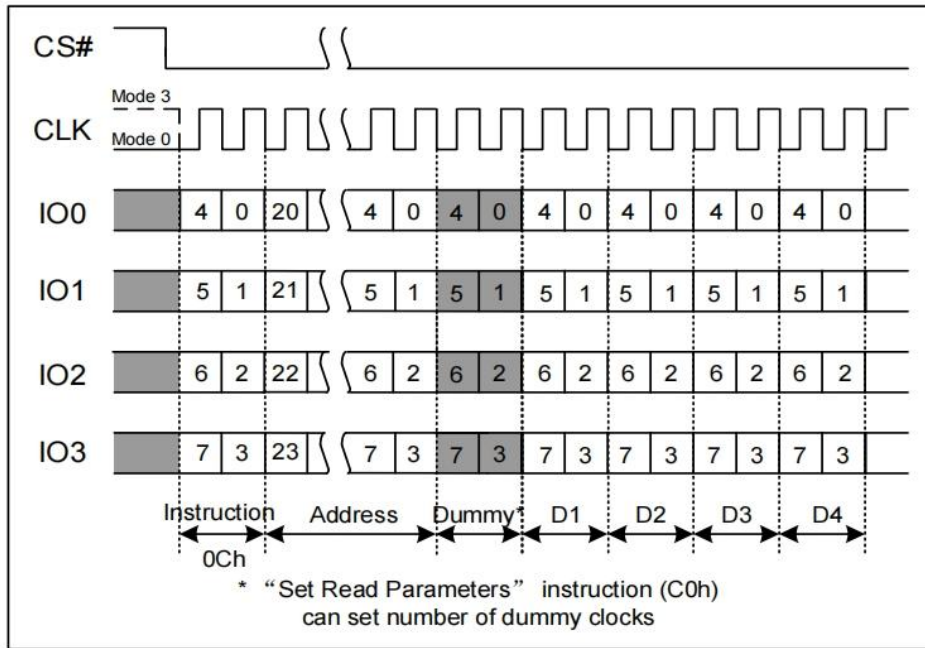


Figure 7.28 Set Read Parameters Instruction (QPI Mode only)

### 7.5.18 Burst Read with Wrap (0Ch)

The “Burst Read with Wrap (0Ch)” instruction provides an alternative way to perform the read operation with “Wrap Around” in QPI mode. The instruction is similar to the “Fast Read (0Bh)” instruction in QPI mode, except the addressing of the read operation will “Wrap Around” to the beginning boundary of the “Wrap Length” once the ending boundary is reached. The “Wrap Length” and the number of dummy clocks can be configured by the “Set Read Parameters(C0h)” instruction.



**Figure 7.29 Burst Read with Wrap Instruction (QPI Mode only)**

**Note:** (1) 32-Bit Address is required when the device is operating in 4-Byte Address Mode

### 7.5.19 Enter QPI Mode (38h)

The HG25Q256 support both Standard/Dual/Quad Serial Peripheral Interface (SPI) and Quad Peripheral Interface (QPI). However, SPI mode and QPI mode cannot be used at the same time. "Enter QPI (38h)" instruction is the only way to switch the device from SPI mode to QPI mode.

Upon power-up, the default state of the device upon is Standard/Dual/Quad SPI mode. This provides full backward compatibility with earlier generations of HG serial flash memories. See Instruction Set Table 7.1-7.3 for all supported SPI commands. In order to switch the device to QPI mode, the Quad Enable (QE) bit in Status Register-2 must be set to 1 first, and an "Enter QPI (38h)" instruction must be issued. If the Quad Enable (QE) bit is 0, the "Enter QPI (38h)" instruction will be ignored and the device will remain in SPI mode. See Instruction Set Table 7.4-7.6 for all the commands supported in QPI mode. When the device is switched from SPI mode to QPI mode, the existing Write Enable and Program/Erase Suspend status, and the Wrap Length setting will remain unchanged.

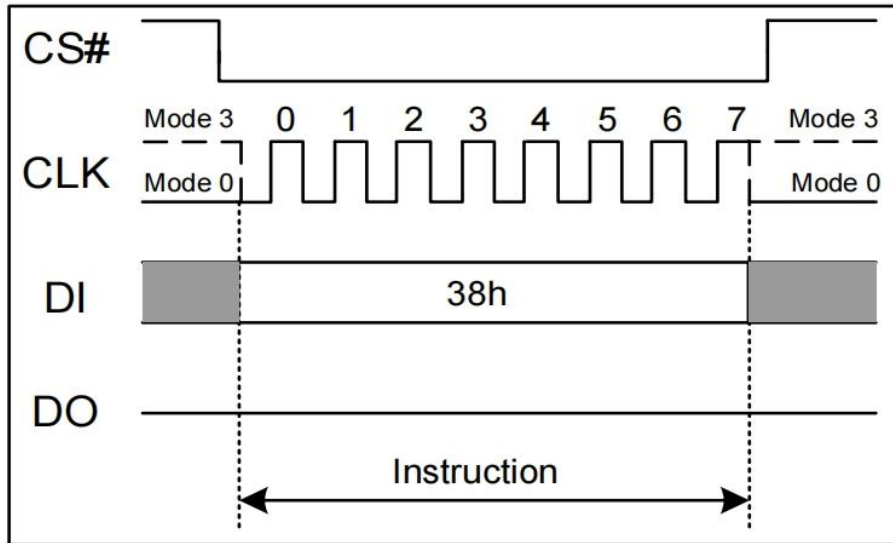


Figure 7.30 Enter QPI Instruction (SPI Mode only)

### 7.5.20 Exit QPI Mode (FFh)

In order to exit the QPI mode and return to the Standard/Dual/Quad SPI mode, an “Exit QPI (FFh)” instruction must be issued. When the device is switched from QPI mode to SPI mode, the existing Write Enable Latch (WEL) and Program/Erase Suspend status, and the Wrap Length setting will remain unchanged.

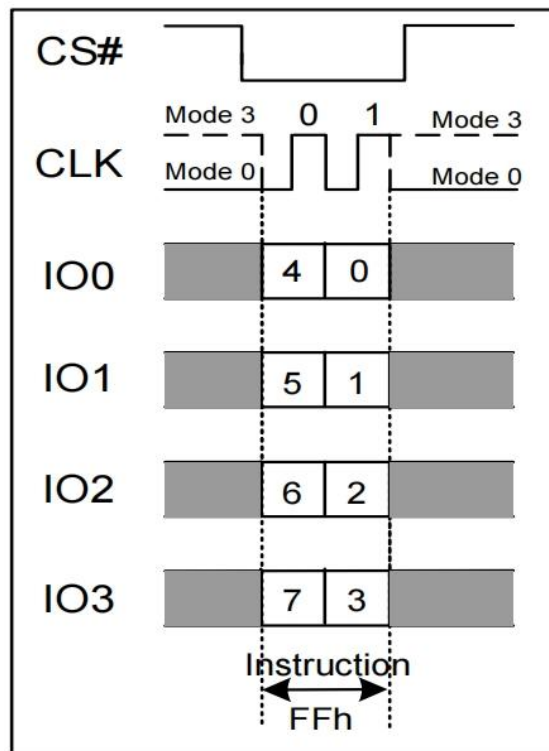


Figure 7.31 Exit QPI Instruction (QPI Mode only)



## 8 ELECTRICAL CHARACTERISTIC

### 8.1 Power-Up Power-Down Timing and Requirements

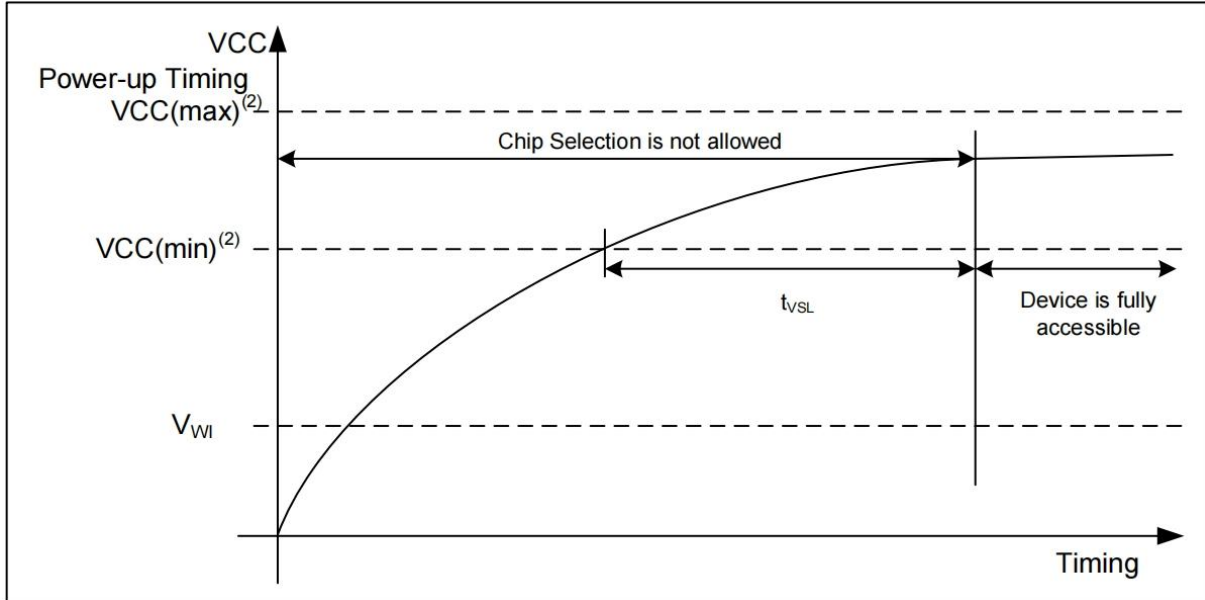


Figure 8.1 Power-up Timing

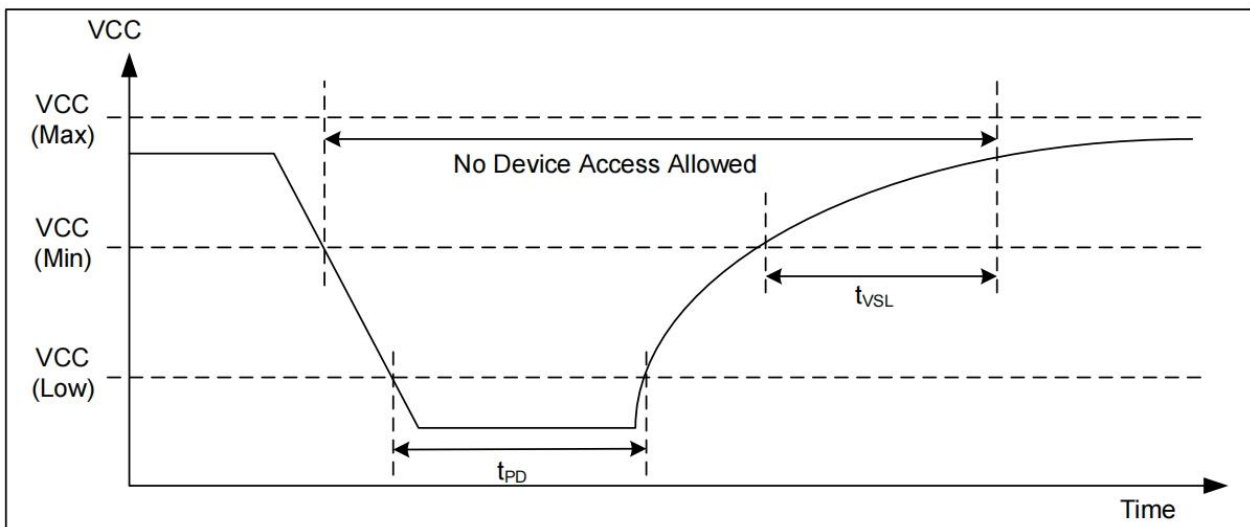


Figure 8.2 Power-Down and Voltage Drop

**Table 8.1 Power-up and Power-down Timing**

PARAMETER	SYMBOL	TYPE		UNIT
		MIN	MAX	
VCC(low voltage for initialization to occur)	VCC(low)	1.0	-	V
VCC (min) to CS# Low	$t^{VSL}$ (1)	3	-	ms
The minimum duration for ensuring initialization will occur	$t^{PD}$	300	-	$\mu$ s
Write Inhibit Threshold Voltage	VWI <sup>(1)</sup>	1.5	2.5	V

**Notes:**

(1) The parameters are characterized only.

(2) VCC (max.) is 3.6V and VCC (min.) is 2.7V.

## 8.2 Absolute Maximum Ratings

Stresses above the values mentioned as following may cause permanent damage to the device. These values are for a stress rating only and do not imply that the device should be operated at conditions up to or above these values.

**Table 8.2<sup>(1)</sup> Absolute Maximum Rating**

PARAMETERS <sup>(2)</sup>	SYMBOL	CONDITIONS	RANGE	UNIT
Supply Voltage	VCC		-0.6 to +4.2	V
Voltage applied on any pin	V <sub>IO</sub>	Relative to Ground	-0.6 to VCC+0.4	V
Transient Voltage on any Pin	V <sub>IOT</sub>	<20ns Transient Relative to Ground	-2.0 to VCC+2.0	V
Storage Temperature	T <sub>STG</sub>		-65 to +150	°C
Lead Temperature	T <sub>LEAD</sub>	Soldering, 10 seconds	245 <sup>(3)</sup>	°C
Electrostatic Discharge Voltage	V <sub>ESD</sub>	Human Body Model(4)	-2000 to +2000	V

**Notes:**

(1) Specification for HG25Q256 is preliminary. See preliminary designation at the end of this document.

(2) This device has been designed and tested for the specified operation ranges. Proper operation outside these levels is not guaranteed. Exposure to absolute maximum ratings may affect device reliability. Exposure beyond absolute maximum ratings may cause permanent damage.

(3) Compatible to JEDEC Standard J-STD-20C for small body Sn-Pb or Pb-free (Green) assembly and the European directive on restrictions on hazardous substances (RoHS) 2002/95/EU.

(4) JEDEC Std. JESD22-A114A (C1=100 pF, R1=1500 ohms, R2=500 ohms).

## 8.3 Recommended Operating Ranges

**Table 8.3 Recommended Operating Ranges**

PARAMETER	SYMBOL	CONDITIONS	SPEC		UNIT
			MIN	MAX	
Supply Voltage	VCC <sup>(1)</sup>	FR=120MHz, f <sub>R</sub> =80MHz <sup>(2)</sup>	2.7	3.6	V
Ambient Temperature, Operating	T <sub>A</sub>	Industrial	-40	105	°C

**Notes:**

(1) Recommended Operating Ranges define those limits between which the functionality of the device is guaranteed.

(2) See details Table 8.6 AC Electrical Characteristics.

**8.4 DC Characteristics**
**Table 8.4a DC Characteristics**

(T = -40°C ~ 85°C, VCC = 2.3 ~ 3.6V, CL = 30pf)

SYMBOL	PARAMETER	CONDITIONS	SPEC			UNIT
			MIN	TYP	MAX	
CIN <sup>(1)</sup>	Input Capacitance	VIN = 0V <sup>(2)</sup>			6	pF
COU <sup>(1)</sup>	Output Capacitance	VOU = 0V <sup>(2)</sup>			8	pF
ILI	Input Leakage				±2	μA
ILO	I/O Leakage				±2	μA
ICC1	Standby Current	CS# = VCC, VIN = GND or VCC		30	80	μA
ICC2	Power-down Current	CS# = VCC, VIN = GND or VCC		3	5	μA
ICC3	Current Read Data / Dual/Quad Output Read 50MHz <sup>(2)</sup>	CLK = 0.1 VCC / 0.9 VCC Q = Open		6	15	mA
ICC3	Current Read Data / Dual/Quad Output Read 80MHz <sup>(2)</sup>	CLK = 0.1 VCC / 0.9 VCC Q = Open		8	18	mA
ICC3	Current Read Data / Dual/Quad Output Read 104MHz <sup>(2)</sup>	CLK = 0.1 VCC / 0.9 VCC Q = Open		10	20	mA
ICC4	Current Page Program	CS# = VCC			15	mA
ICC5	Current Write Status Register	CS# = VCC			15	mA
ICC6	Current Sector Erase	CS# = VCC			15	mA
ICC6	Current Block Erase	CS# = VCC			15	mA
ICC7	Current Chip Erase	CS# = VCC			15	mA
VIL	Input Low Voltage		-0.5		VCC×0.2	V
VIH	Input High Voltage		VCC×0.7		VCC+0.4	V
VOL	Output Low Voltage	IOL = 100 μA			0.2	V
VOH	Output High Voltage	IOH = - 100 μA	VCC - 0.2			V

**Notes:**

(1) Tested on sample basis and specified through design and characterization data. TA=25° C, VCC=3V.

(2) Checker Board Pattern.

**Table 8.4b DC Characteristics**

 (T = -40°C ~ 105°C, VCC = 2.3 ~ 3.6V, C<sub>L</sub> = 30pf)

SYMBOL	PARAMETER	CONDITIONS	SPEC			UNIT
			MIN	TYP	MAX	
CIN <sup>(1)</sup>	Input Capacitance	VIN = 0V <sup>(2)</sup>			6	pF
COU <sup>(1)</sup>	Output Capacitance	VOU = 0V <sup>(2)</sup>			8	pF
ILI	Input Leakage				±2	μA
ILO	I/O Leakage				±2	μA
ICC1	Standby Current	CS# = VCC, VIN = GND or VCC		30	80	μA
ICC2	Power-down Current	CS# = VCC, VIN = GND or VCC		3	5	μA
ICC3	Current Read Data / Dual/Quad Output Read 50MHz <sup>(2)</sup>	CLK = 0.1 VCC / 0.9 VCC Q = Open		6	15	mA
ICC3	Current Read Data / Dual/Quad Output Read 80MHz <sup>(2)</sup>	CLK = 0.1 VCC / 0.9 VCC Q = Open		8	18	mA
ICC3	Current Read Data / Dual/Quad Output Read 104MHz <sup>(2)</sup>	CLK = 0.1 VCC / 0.9 VCC Q = Open		10	20	mA
ICC4	Current Page Program	CS# = VCC			15	mA
ICC5	Current Write Status Register	CS# = VCC			15	mA
ICC6	Current Sector Erase	CS# = VCC			15	mA
ICC6	Current Block Erase	CS# = VCC			15	mA
ICC7	Current Chip Erase	CS# = VCC			15	mA
VIL	Input Low Voltage		-0.5		VCC×0.2	V
VIH	Input High Voltage		VCC×0.7		VCC+0.4	V
VOL	Output Low Voltage	IOL = 100 μA			0.2	V
VOH	Output High Voltage	IOH = - 100 μA	VCC - 0.2			V

**Notes:**

(3) Tested on sample basis and specified through design and characterization data. TA=25° C, VCC=3V.

(4) Checker Board Pattern.

## 8.5 AC Measurement Conditions

Table 8.5 AC Measurement Conditions

Symbol	PARAMETER	Min.	Max.	Unit
CL	Load Capacitance		30	pF
TR, TF	Input Rise and Fall Times		5	ns
VIN	Input Pulse Voltages	0.1VCC to 0.8VCC		V
VtIN	Input Timing Reference Voltages	0.2VCC to 0.7VCC		V
VtON	Output Timing Reference Voltages	0.5 VCC to 0.5 VCC		V

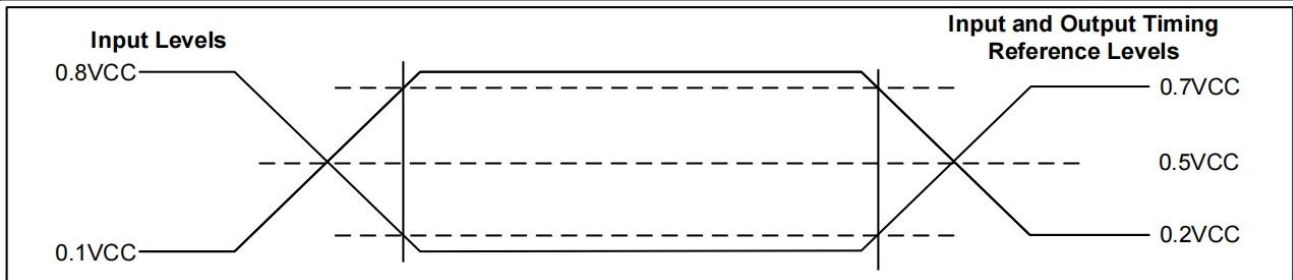


Figure 8.3 AC Measurement I/O Waveform

**8.6 AC Electrical Characteristics**
**Table 8.6a AC Electrical Characteristics**

(T = -40°C ~ 85°C, VCC = 2.3 ~ 3.6V, CL = 30pf)

SYMBOL	ALT	Parameter	SPEC			UNIT
			MIN	TYP	MAX	
F <sub>RI</sub>	f <sub>C1</sub>	Clock frequency for all instructions, except Read Data (03h)	D.C.		120	MHz
f <sub>R</sub>		Clock frequency for Read Data instruction (03h)	D.C.		80	MHz
t <sub>CLH</sub> , t <sub>CLL</sub> <sup>(1)</sup>		Clock High, Low Time for all instructions except Read Data (03h)	4			ns
t <sub>CRLH</sub> , t <sub>CRLL</sub> <sup>(1)</sup>		Clock High, Low Time for Read Data (03h) instruction	8			ns
t <sub>CLCH</sub> <sup>(2)</sup>		Clock Rise Time peak to peak	0.1			V/ns
t <sub>CHCL</sub> <sup>(2)</sup>		Clock Fall Time peak to peak	0.1			V/ns
t <sub>SLCH</sub>	t <sub>CS</sub>	CS# Active Setup Time relative to CLK	5			ns
t <sub>CHSL</sub>		CS# Not Active Hold Time relative to CLK	5			ns
t <sub>DVCH</sub>	t <sub>DSU</sub>	Data In Setup Time	2			ns
t <sub>CHDX</sub>	t <sub>DH</sub>	Data In Hold Time	5			ns
t <sub>CHSH</sub>		CS# Active Hold Time relative to CLK	5			ns
t <sub>SHCH</sub>		CS# Not Active Setup Time relative to CLK	5			ns
t <sub>SHSL</sub>	t <sub>CSH</sub>	CS# Deselect Time	20			ns
t <sub>SHQZ</sub> <sup>(2)</sup>	t <sub>DIS</sub>	Output Disable Time			7	ns
t <sub>CLQV</sub>	t <sub>V</sub>	Clock Low to Output Valid 2.7 V- 3.6V			7	ns
t <sub>CLQX</sub>	t <sub>HO</sub>	Output Hold Time	2			ns
t <sub>HLCH</sub>		HOLD# Active Setup Time relative to CLK	5			ns
t <sub>CHHH</sub>		HOLD# Active Hold Time relative to CLK	5			ns
t <sub>HHCH</sub>		HOLD# Not Active Setup Time relative to CLK	5			ns
t <sub>CHHL</sub>		HOLD# Not Active Hold Time relative to CLK	5			ns
t <sub>HHQX</sub>	t <sub>LZ</sub> <sup>(2)</sup>	HOLD# to Output Low-Z			7	ns
t <sub>HLQZ</sub>	t <sub>HZ</sub> <sup>(2)</sup>	HOLD# to Output High-Z			12	ns
t <sub>WHSL</sub> <sup>(3)</sup>		Write Protect Setup Time Before CS# Low	20			ns
t <sub>SHWL</sub> <sup>(3)</sup>		Write Protect Hold Time After CS# High	100			ns
t <sub>DP</sub> <sup>(2)</sup>		CS# High to Power-down Mode			3	μs
t <sub>RES1</sub> <sup>(2)</sup>		CS# High to Standby Mode without Electronic Signature Read			8	μs
t <sub>RES2</sub> <sup>(2)</sup>		CS# High to Standby Mode with Electronic Signature Read			6	μs
T <sub>SUS</sub> <sup>(2)</sup>		CS# High to next Command after Suspend			20	μs
t <sub>RCH</sub> <sup>(2)</sup>		End of Reset Instruction to CS# High	40			ns
t <sub>RST</sub> <sup>(2)</sup>		CS# High to next Instruction after Reset (Except From Erase)			50	μs
t <sub>RST_E</sub> <sup>(2)</sup>		CS# High to next Instruction after Reset (From Erase)			50	μs
t <sub>RS</sub> <sup>(2)</sup>		Latency Between Resume and Next Suspend	200			μs
t <sub>W</sub>		Write Status Register Time		5	20	ms
t <sub>PP</sub>		Page Program Time		0.5	3	ms
t <sub>SE</sub>		Sector Erase Time (4KB)		30	400	ms
t <sub>BE1</sub>		Block Erase Time (32KB)		120	1600	ms
t <sub>BE2</sub>		Block Erase Time (64KB)		150	2000	ms
t <sub>CE</sub>		Chip Erase Time		70	200	s
t <sub>RLRH</sub>		Reset Pulse Width (from standby)	1			μs
t <sub>RLRH</sub>		Reset Pulse Width (from erase)	20			μs
t <sub>RHSL</sub>		Reset High Time Before Read	5			μs
t <sub>RB</sub>		Reset Recovery Time			30	μs

Notes: (1) Clock high + Clock low must be less than or equal to 1/f<sub>C</sub>.

(2) Value guaranteed by design and/or characterization, not 100% tested in production.

(3) Only applicable as a constraint for a Write Status Register instruction when SRP[1:0]=(0,1).

**Table 8.6b AC Electrical Characteristics**

(T = -40°C ~ 105°C, VCC = 2.3 ~ 3.6V, CL = 30pf)

SYMBOL	ALT	Parameter	SPEC			UNIT
			MIN	TYP	MAX	
FR1	fc1	Clock frequency for all instructions, except Read Data (03h)	D.C.		120	MHz
fR		Clock frequency for Read Data instruction (03h)	D.C.		80	MHz
tCLH,tCLL <sup>(1)</sup>		Clock High, Low Time for all instructions except Read Data (03h)	4			ns
tCRLH,tCRLL <sup>(1)</sup>		Clock High, Low Time for Read Data (03h) instruction	8			ns
tCLCH <sup>(2)</sup>		Clock Rise Time peak to peak	0.1			V/ns
tCHCL <sup>(2)</sup>		Clock Fall Time peak to peak	0.1			V/ns
tSLCH	tCSS	CS# Active Setup Time relative to CLK	5			ns
tCHSL		CS# Not Active Hold Time relative to CLK	5			ns
tDVCH	tDSU	Data In Setup Time	2			ns
tCHDX	tDH	Data In Hold Time	5			ns
tCHSH		CS# Active Hold Time relative to CLK	5			ns
tSHCH		CS# Not Active Setup Time relative to CLK	5			ns
tSHSL	tCSH	CS# Deselect Time	20			ns
tSHQZ <sup>(2)</sup>	tDIS	Output Disable Time			7	ns
tCLQV	tV	Clock Low to Output Valid 2.7 V- 3.6V			7	ns
tCLQX	tHO	Output Hold Time	2			ns
tHLCH		HOLD# Active Setup Time relative to CLK	5			ns
tCHHH		HOLD# Active Hold Time relative to CLK	5			ns
tHHCH		HOLD# Not Active Setup Time relative to CLK	5			ns
tCHHL		HOLD# Not Active Hold Time relative to CLK	5			ns
tHHQX	tLZ <sup>(2)</sup>	HOLD# to Output Low-Z			7	ns
tHLQZ	tHZ <sup>(2)</sup>	HOLD# to Output High-Z			12	ns
tWHSL <sup>(3)</sup>		Write Protect Setup Time Before CS# Low	20			ns
tSHWL <sup>(3)</sup>		Write Protect Hold Time After CS# High	100			ns
tDP <sup>(2)</sup>		CS# High to Power-down Mode			3	μs
tRES1 <sup>(2)</sup>		CS# High to Standby Mode without Electronic Signature Read			8	μs
tRES2 <sup>(2)</sup>		CS# High to Standby Mode with Electronic Signature Read			6	μs
TSUS <sup>(2)</sup>		CS# High to next Command after Suspend			20	μs
tRCH <sup>(2)</sup>		End of Reset Instruction to CS# High	40			ns
tRST <sup>(2)</sup>		CS# High to next Instruction after Reset (Except From Erase)			50	μs
tRST_E <sup>(2)</sup>		CS# High to next Instruction after Reset (From Erase)			50	μs
tRS <sup>(2)</sup>		Latency Between Resume and Next Suspend	200			μs
tW		Write Status Register Time		5	20	ms
tPP		Page Program Time		0.5	3	ms
tSE		Sector Erase Time (4KB)		30	400	ms
tBE1		Block Erase Time (32KB)		120	1600	ms
tBE2		Block Erase Time (64KB)		150	2000	ms
tCE		Chip Erase Time		70	200	s
tRLRH		Reset Pulse Width (from standby)	1			μs
tRLRH		Reset Pulse Width (from erase)	20			μs
tRHSL		Reset High Time Before Read	5			μs
tRB		Reset Recovery Time			30	μs

Notes: (4) Clock high + Clock low must be less than or equal to 1/fc.

(5) Value guaranteed by design and/or characterization, not 100% tested in production.

(6) Only applicable as a constraint for a Write Status Register instruction when SRP[1:0]=(0,1).

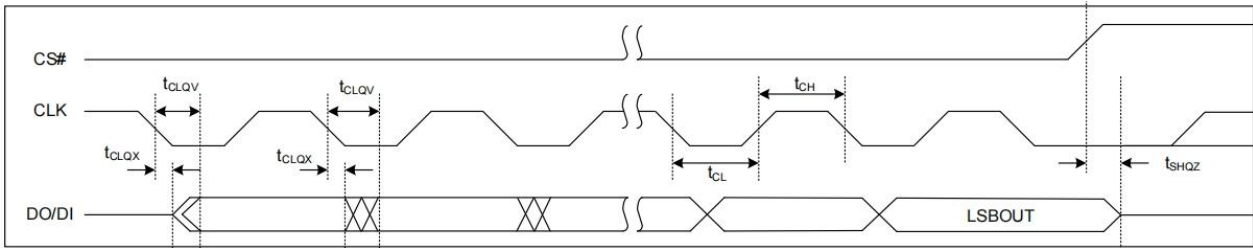


Figure 8.4 Serial Output Timing

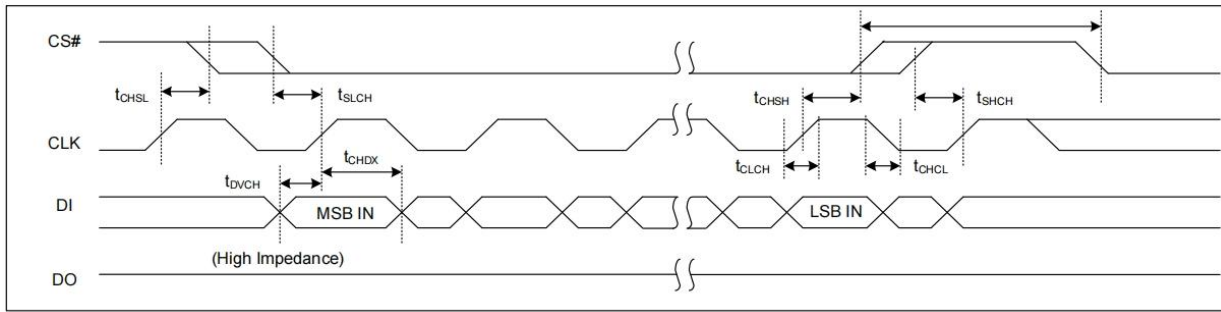


Figure 8.5 Input Timing

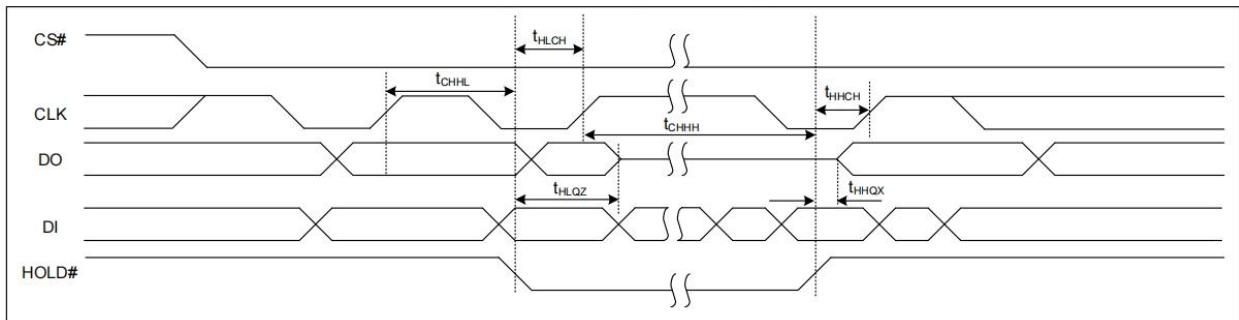


Figure 8.6 Hold Timing

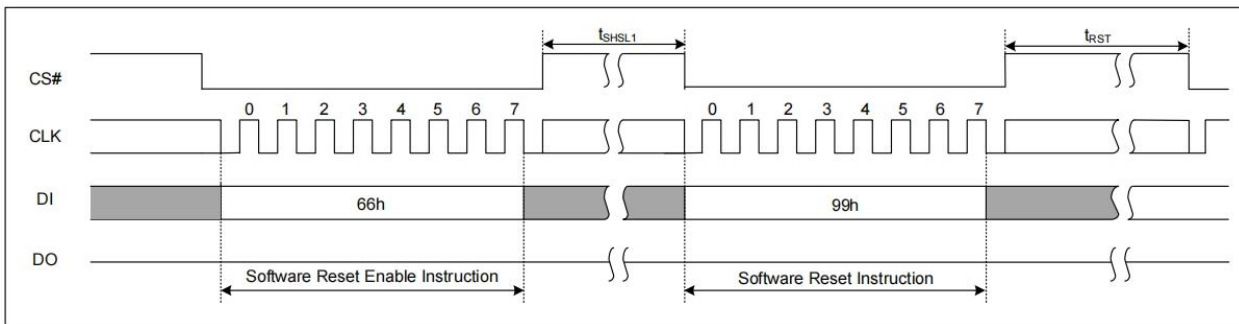


Figure 8.7 Software Reset Input Timing

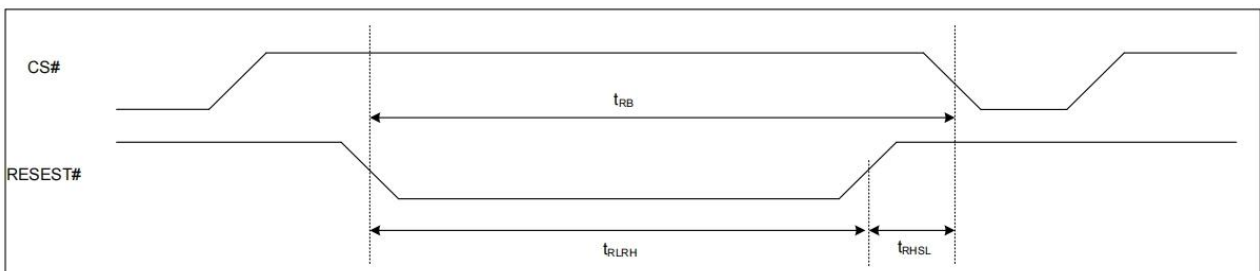
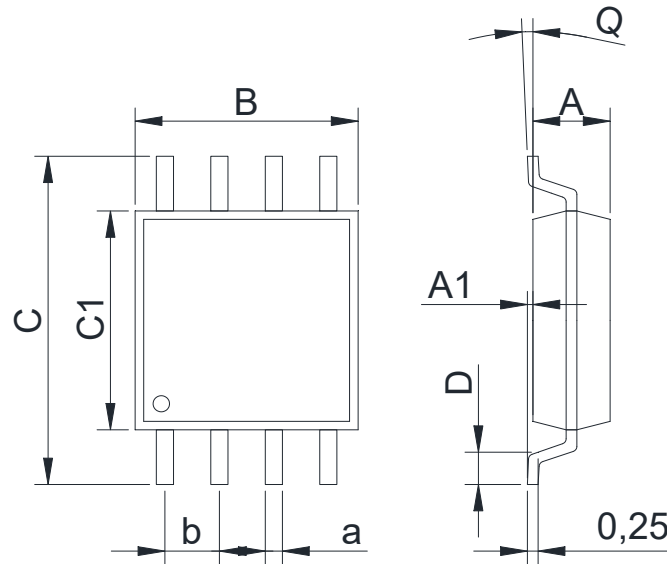


Figure 8.8 Hardware Reset Timing



## Physical Dimensions

SOP-8 (208MIL)



Dimensions In Millimeters(SOP-8)									
Symbol:	A	A1	B	C	C1	D	Q	a	b
Min:	1.70	0.05	5.18	7.70	5.18	0.5	0°	0.35	1.27 BSC
Max:	1.91	0.25	5.38	8.70	5.38	0.8	8°	0.48	

## Revision History

DATE	REVISION	PAGE
2016-6-17	New	1-91

**IMPORTANT STATEMENT:**

Huaguan Semiconductor reserves the right to change its products and services without notice. Before ordering, the customer shall obtain the latest relevant information and verify whether the information is up to date and complete. Huaguan Semiconductor does not assume any responsibility or obligation for the altered documents.

Customers are responsible for complying with safety standards and taking safety measures when using Huaguan Semiconductor products for system design and machine manufacturing. You will bear all the following responsibilities: Select the appropriate Huaguan Semiconductor products for your application; Design, validate and test your application; Ensure that your application meets the appropriate standards and any other safety, security or other requirements. To avoid the occurrence of potential risks that may lead to personal injury or property loss.

Huaguan Semiconductor products have not been approved for applications in life support, military, aerospace and other fields, and Huaguan Semiconductor will not bear the consequences caused by the application of products in these fields. All problems, responsibilities and losses arising from the user's use beyond the applicable area of the product shall be borne by the user and have nothing to do with Huaguan Semiconductor, and the user shall not claim any compensation liability against Huaguan Semiconductor by the terms of this Agreement.

The technical and reliability data (including data sheets), design resources (including reference designs), application or other design suggestions, network tools, safety information and other resources provided for the performance of semiconductor products produced by Huaguan Semiconductor are not guaranteed to be free from defects and no warranty, express or implied, is made. The use of testing and other quality control technologies is limited to the quality assurance scope of Huaguan Semiconductor. Not all parameters of each device need to be tested.

The documentation of Huaguan Semiconductor authorizes you to use these resources only for developing the application of the product described in this document. You have no right to use any other Huaguan Semiconductor intellectual property rights or any third party intellectual property rights. It is strictly forbidden to make other copies or displays of these resources. You should fully compensate Huaguan Semiconductor and its agents for any claims, damages, costs, losses and debts caused by the use of these resources. Huaguan Semiconductor accepts no liability for any loss or damage caused by infringement.

## X-ON Electronics

Largest Supplier of Electrical and Electronic Components

*Click to view similar products for [NOR Flash](#) category:*

*Click to view products by [HGSEMI](#) manufacturer:*

Other Similar products are found below :

[AN82527F8](#) [MBM29F800BA-90PF-SFLE1](#) [8 611 200 906](#) [9990933135](#) [EAN62691701](#) [MX25L1606EZUI-12G](#) [MX29GL128EHT2I-90G](#)  
[MX29GL256FLXFI-90Q](#) [MX29LV040CQI-70GTR](#) [MX30LF1GE8AB-TI](#) [MX66L51235FZ2I-10G](#) [PC28F320J3F75A](#) [8 905 959 252](#)  
[S29AS016J70BHIF40](#) [S29GL064N90FFI012](#) [S29GL128P10FFI022](#) [S29GL256P11FFIV12](#) [S29GL256P11FFIV22](#) [S29PL064J55BFI120](#)  
[S70FL01GSAGMFV011](#) [S99-50389 P](#) [955153-00027](#) [AM29F016D-120DPI 1](#) [AT45DB161E-CCUD-T](#) [AT45DQ161-SHFHB-T](#)  
[AT45DQ161-SHFHD-T](#) [S29GL064S70BHI030](#) [S29GL064S70BHI040](#) [S29GL256P11FFI012](#) [S29JL064J55TFI003](#) [S29PL127J70BAI020](#)  
[S99-50052](#) [MX25L6406EZNI-12G](#) [MX25L6473EM2I-10G](#) [MX25U1635EZNI-10GTR](#) [MX29GL128FLXGI-70G](#) [MX29GL256FUT2I-11G](#)  
[W29GL128CH9C](#) [W29GL128CH9B](#) [MX25L3233FMI-08G TR](#) [MX25V8006EM1I-13G](#) [MX25L12845EZNI-10G](#) [MX25L8006EZNI-12G](#)  
[MX29LV040CQI-70G](#) [S99-50243 P](#) [S29GL512T12TFN010](#) [S29GL512T10DHI020](#) [S25FS128SAGNFI000](#) [PC28F256M29EWHD](#)  
[W29GL256SH9C](#)