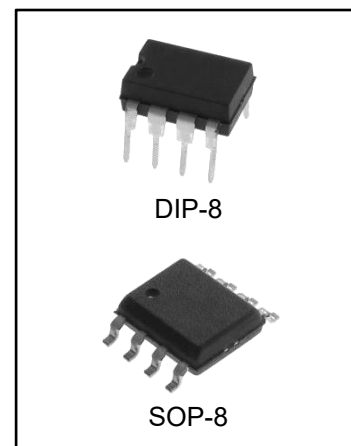


# PRECISION VOLTAGE-TO-FREQUENCY CONVERTERS

## FEATURES

- Ensured Linearity 0.01% max
- Improved Performance in Existing Voltage-to- Frequency Conversion Applications
- Split or Single Supply Operation
- Operates on Single 5V Supply
- Pulse Output Compatible with All Logic Forms
- Excellent Temperature Stability:  $\pm 50$  ppm/ $^{\circ}\text{C}$  max
- Low Power Consumption: 15 mW Typical at 5V
- Wide Dynamic Range, 100 dB min at 10 kHz Full Scale Frequency
- Wide Range of Full Scale Frequency: 1 Hz to 100 kHz
- Low Cost



## ORDERING INFORMATION

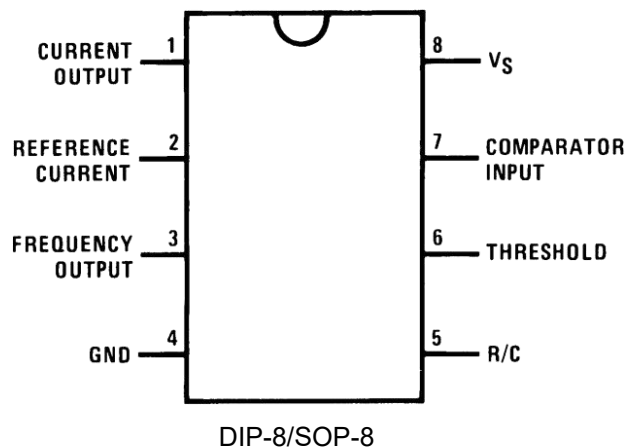
DEVICE	Package Type	MARKING	Packing	Packing Qty
LM231N	DIP-8	LM231	TUBE	2000pcs/Box
LM231M/TR	SOP-8	LM231	REEL	2500pcs/Reel
LM331N	DIP-8	LM331	TUBE	2000pcs/Box
LM331M/TR	SOP-8	LM331	REEL	2500pcs/Reel
LM231AN	DIP-8	LM231A	TUBE	2000pcs/Box
LM231AM/TR	SOP-8	LM231A	REEL	2500pcs/Reel
LM331AN	DIP-8	LM331A	TUBE	2000pcs/Box
LM331AM/TR	SOP-8	LM331A	REEL	2500pcs/Reel

## DESCRIPTION

The LM231/LM331 family of voltage-to-frequency converters are ideally suited for use in simple low-cost circuits for analog-to-digital conversion, precision frequency-to-voltage conversion, long-term integration, linear frequency modulation or demodulation, and many other functions. The output when used as a voltage-to-frequency converter is a pulse train at a frequency precisely proportional to the applied input voltage. Thus, it provides all the inherent advantages of the voltage-to-frequency conversion techniques, and is easy to apply in all standard voltage-to-frequency converter applications. Further, the LM231A/LM331A attain a new high level of accuracy versus temperature which could only be attained with expensive voltage-to-frequency modules. Additionally the LM231/331 are ideally suited for use in digital systems at low power supply voltages and can provide low-cost analog-to-digital conversion in microprocessor-controlled systems. And, the frequency from a battery powered voltage-to-frequency converter can be easily channeled through a simple photo isolator to provide isolation against high common mode levels.

The LM231/LM331 utilize a new temperature-compensated band-gap reference circuit, to provide excellent accuracy over the full operating temperature range, at power supplies as low as 4.0V. The precision timer circuit has low bias currents without degrading the quick response necessary for 100 kHz voltage-to-frequency conversion. And the output are capable of driving 3 TTL loads, or a high voltage output up to 40V, yet is short-circuit-proof against  $V_{CC}$ .

## CONNECTION DIAGRAM



## ABSOLUTE MAXIMUM RATINGS

Parameter	Value
Supply Voltage, $V_S$	40V
Output Short Circuit to Ground	Continuous
Output Short Circuit to $V_{CC}$	Continuous
Input Voltage	-0.2V to $+V_S$
Package Dissipation at 25°C	1.25W <sup>(3)</sup>
ESD Susceptibility <sup>(4)</sup>	500V
Lead Temperature (Soldering, 10 seconds)	245°C

1. Absolute Maximum Ratings indicate limits beyond which damage to the device may occur. DC and AC electrical specifications do not apply when operating the device beyond its specified operating conditions.
2. All voltages are measured with respect to GND = 0V, unless otherwise noted.
3. The absolute maximum junction temperature ( $T_{Jmax}$ ) for this device is 150°C. The maximum allowable power dissipation is dictated by  $T_{Jmax}$ , the junction-to-ambient thermal resistance ( $\theta_{JA}$ ), and the ambient temperature  $T_A$ , and can be calculated using the formula  $PD_{max} = (T_{Jmax} - T_A) / \theta_{JA}$ . The values for maximum power dissipation will be reached only when the device is operated in a severe fault condition (e.g., when input or output pins are driven beyond the power supply voltages, or the power supply polarity is reversed). Obviously, such conditions should always be avoided.
4. Human body model, 100 pF discharged through a 1.5 kΩ resistor.

## OPERATING RATINGS

Operating Ambient Temperature	
LM231, LM231A	-25°C to +85°C
LM331, LM331A	0°C to +70°C
Supply Voltage, $V_S$	+4V to +40V

(1) All voltages are measured with respect to GND = 0V, unless otherwise noted.

## ELECTRICAL CHARACTERISTICS

All specifications apply in the circuit of Figure 16, with  $4.0V \leq V_S \leq 40V$ ,  $T_A = 25^\circ C$ , unless otherwise specified.

Parameter	Conditions	Min	Typ	Max	Units
VFC Non-Linearity <sup>(1)</sup>	$4.5V \leq V_S \leq 20V$		±0.003	±0.01	% Full- Scale
	$T_{MIN} \leq T_A \leq T_{MAX}$		±0.006	±0.02	% Full- Scale
VFC Non-Linearity in Circuit of Figure 15	$V_S = 15V$ , $f = 10 \text{ Hz to } 11 \text{ kHz}$		±0.024	±0.14	% Full- Scale
Conversion Accuracy Scale Factor (Gain)					
LM231, LM231A	$V_{IN} = -10V$ , $R_S = 14 \text{ k}\Omega$	0.95	1.00	1.05	kHz/V
LM331, LM331A		0.90	1.00	1.10	kHz/V
Temperature Stability of Gain					
LM231/LM331	$T_{MIN} \leq T_A \leq T_{MAX}$ , $4.5V \leq V_S \leq 20V$		±30	±150	ppm/°C
LM231A/LM331A			±20	±50	ppm/°C
Change of Gain with $V_S$	$4.5V \leq V_S \leq 10V$		0.01	0.1	%/V
	$10V \leq V_S \leq 40V$		0.006	0.06	%/V
Rated Full-Scale Frequency	$V_{IN} = -10V$	10.0			kHz
Gain Stability vs. Time (1000 Hours)	$T_{MIN} \leq T_A \leq T_{MAX}$		±0.02		% Full- Scale

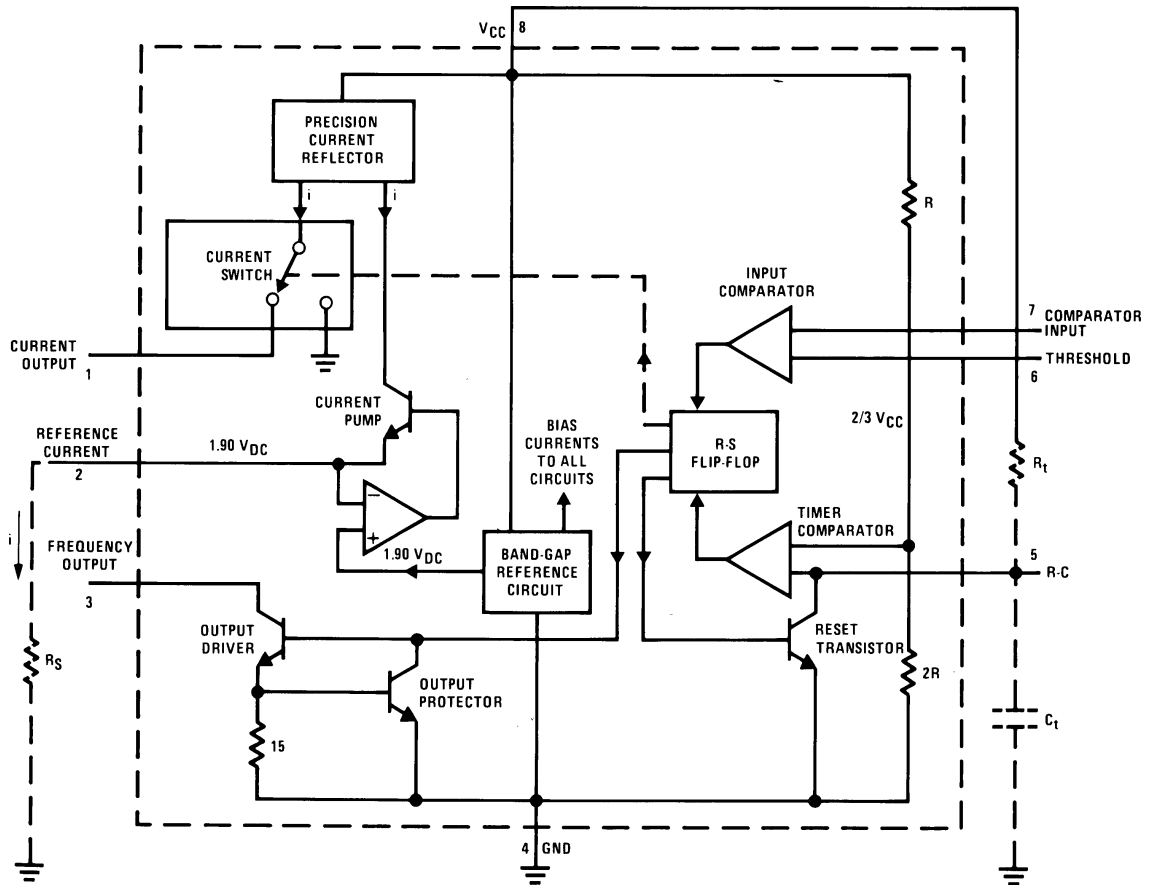
(1) Nonlinearity is defined as the deviation of  $f_{OUT}$  from  $V_{IN} \times (10 \text{ kHz}/-10 \text{ VDC})$  when the circuit has been trimmed for zero error at 10 Hz and at 10 kHz, over the frequency range 1 Hz to 11 kHz. For the timing capacitor, CT, use NPO ceramic, Teflon®, or polystyrene.

**ELECTRICAL CHARACTERISTICS (CONTINUED)**

 All specifications apply in the circuit of Figure 16, with  $4.0V \leq V_S \leq 40V$ ,  $T_A = 25^\circ C$ , unless otherwise specified.

Parameter	Conditions	Min	Typ	Max	Units
Over Range (Beyond Full-Scale) Frequency	$V_{IN} = -11V$	10			%
<b>INPUT COMPARATOR</b>					
Offset Voltage			$\pm 3$	$\pm 10$	mV
LM231/LM331	$T_{MIN} \leq T_A \leq T_{MAX}$		$\pm 4$	$\pm 14$	mV
LM231A/LM331A	$T_{MIN} \leq T_A \leq T_{MAX}$		$\pm 3$	$\pm 10$	mV
Bias Current			-80	-300	nA
Offset Current			$\pm 8$	$\pm 100$	nA
Common-Mode Range	$T_{MIN} \leq T_A \leq T_{MAX}$	-0.2		$V_{CC} - 2.0$	V
<b>TIMER</b>					
Timer Threshold Voltage, Pin 5		0.63	0.667	0.70	$\times V_S$
Input Bias Current, Pin 5	$V_S = 15V$				
All Devices	$0V \leq V_{PIN 5} \leq 9.9V$		$\pm 10$	$\pm 100$	nA
LM231/LM331	$V_{PIN 5} = 10V$		200	1000	nA
LM231A/LM331A	$V_{PIN 5} = 10V$		200	500	nA
$V_{SAT \text{ PIN } 5}$ (Reset)	$I = 5 \text{ mA}$		0.22	0.5	V
<b>CURRENT SOURCE (Pin 1)</b>					
Output Current					
LM231, LM231A	$R_S = 14 \text{ k}\Omega, V_{PIN 1} = 0$	126	135	144	$\mu A$
LM331, LM331A		116	136	156	$\mu A$
Change with Voltage	$0V \leq V_{PIN 1} \leq 10V$		0.2	1.0	$\mu A$
Current Source OFF Leakage					
LM231, LM231A, LM331, LM331A			0.02	10.0	nA
All Devices	$T_A = T_{MAX}$		2.0	50.0	nA
Operating Range of Current (Typical)			(10 to 500)		$\mu A$
<b>REFERENCE VOLTAGE (Pin 2)</b>					
LM231, LM231A		1.76	1.89	2.02	V <sub>DC</sub>
LM331, LM331A		1.70	1.89	2.08	V <sub>DC</sub>
Stability vs. Temperature			$\pm 60$		ppm/ $^\circ C$
Stability vs. Time, 1000 Hours			$\pm 0.1$		%
<b>LOGIC OUTPUT (Pin 3)</b>					
V <sub>SAT</sub>	$I = 5 \text{ mA}$		0.15	0.50	V
	$I = 3.2 \text{ mA}$ (2 TTL Loads), $T_{MIN} \leq T_A \leq T_{MAX}$		0.10	0.40	V
OFF Leakage			$\pm 0.05$	1.0	$\mu A$
<b>SUPPLY CURRENT</b>					
LM231, LM231A	$V_S = 5V$	2.0	3.0	4.0	mA
	$V_S = 40V$	2.5	4.0	6.0	mA
LM331, LM331A	$V_S = 5V$	1.5	3.0	6.0	mA
	$V_S = 40V$	2.0	4.0	8.0	mA

**FUNCTIONAL BLOCK DIAGRAM**



Pin numbers apply to 8-pin packages only.

**TYPICAL PERFORMANCE CHARACTERISTICS**

(All electrical characteristics apply for the circuit of Figure 16, unless otherwise noted.)

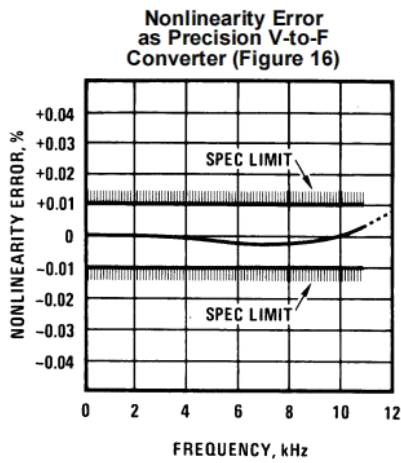


Figure 2.

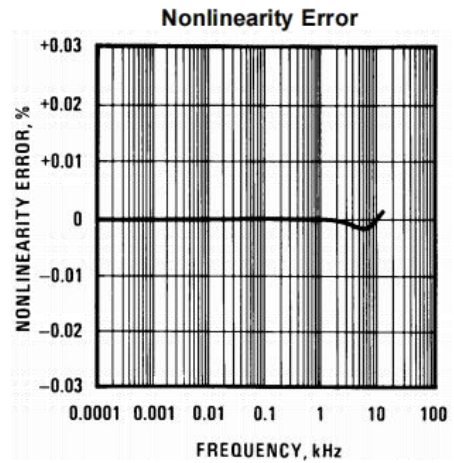


Figure 3.

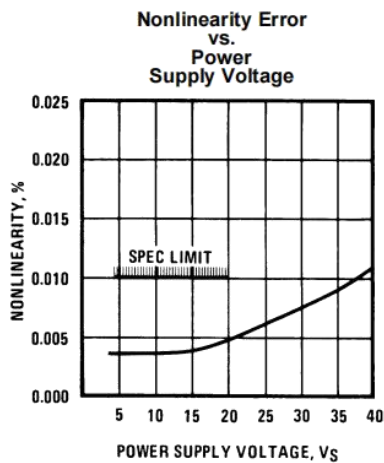


Figure 4.

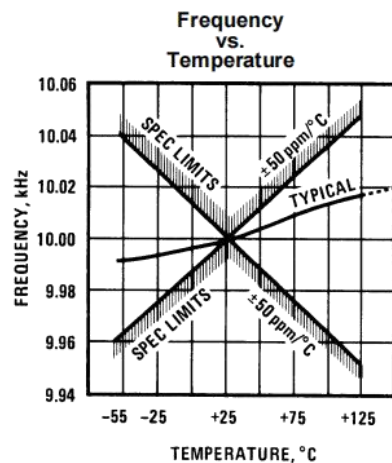


Figure 5.

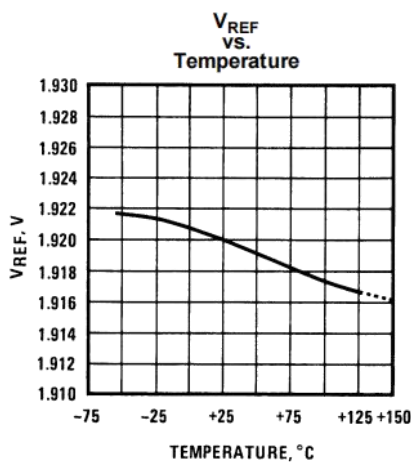


Figure 6.

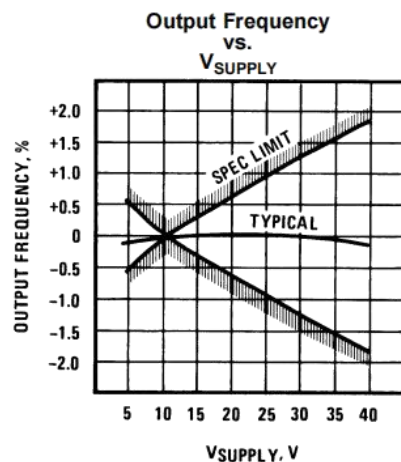


Figure 7.

**TYPICAL PERFORMANCE CHARACTERISTICS (continued)**

(All electrical characteristics apply for the circuit of Figure 16, unless otherwise noted.)

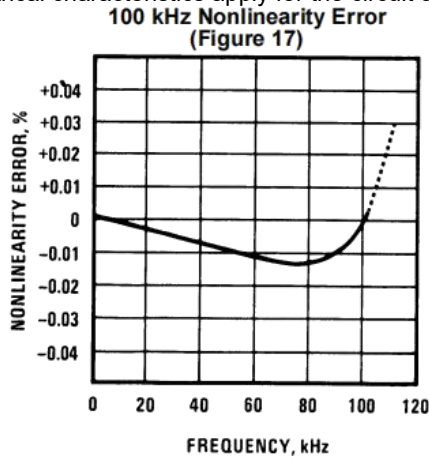


Figure 8.

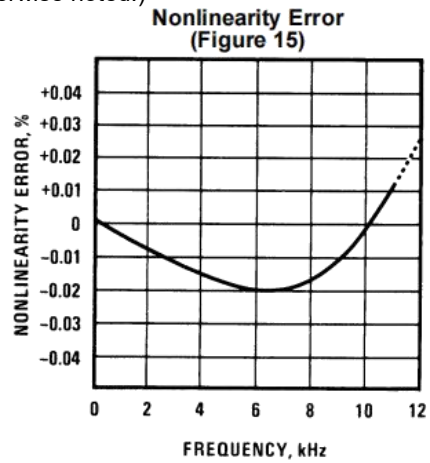


Figure 9.

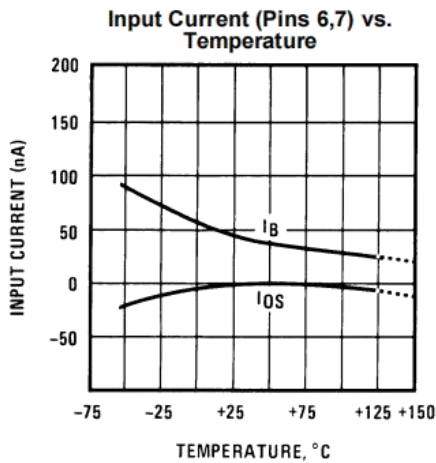


Figure 10.

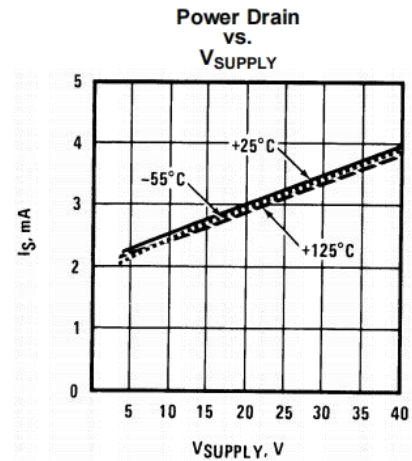


Figure 11.

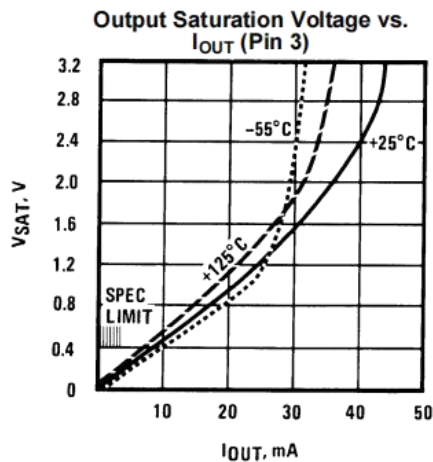


Figure 12.

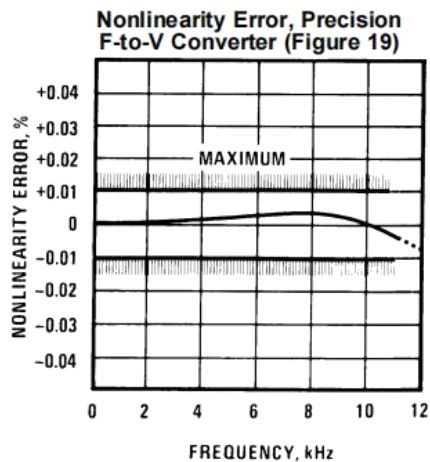


Figure 13.

## APPLICATIONS INFORMATION

The LM231/331 are monolithic circuits designed for accuracy and versatile operation when applied as voltage-to-frequency (V-to-F) converters or as frequency-to-voltage (F-to-V) converters. A simplified block diagram of the LM231/331 is shown in Figure 14 and consists of a switched current source, input comparator, and 1-shot timer.

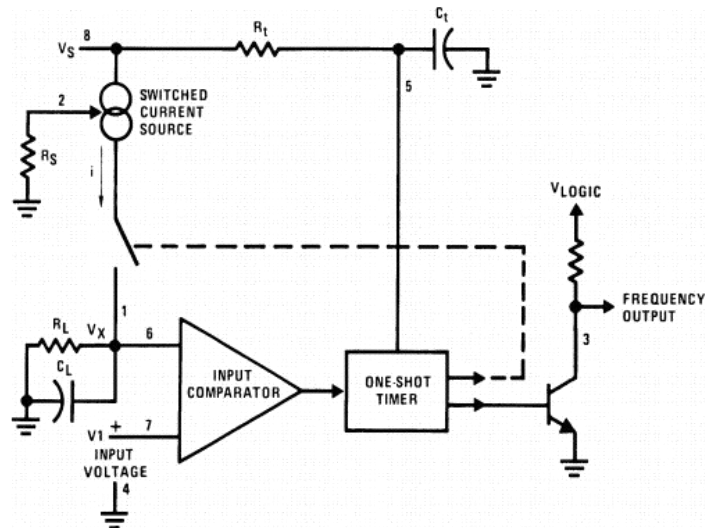


Figure 14. Simplified Block Diagram of Stand-Alone Voltage-to-Frequency Converter and External Components

### Simplified Voltage-to-Frequency Converter

The operation of these blocks is best understood by going through the operating cycle of the basic V-to-F converter, Figure 14, which consists of the simplified block diagram of the LM231/331 and the various resistors and capacitors connected to it.

The voltage comparator compares a positive input voltage,  $V_1$ , at pin 7 to the voltage,  $V_x$ , at pin 6. If  $V_1$  is greater, the comparator will trigger the 1-shot timer. The output of the timer will turn ON both the frequency output transistor and the switched current source for a period  $t = 1.1 R_t C_t$ . During this period, the current  $i$  will flow out of the switched current source and provide a fixed amount of charge,  $Q = i \times t$ , into the capacitor,  $C_L$ . This will normally charge  $V_x$  up to a higher level than  $V_1$ . At the end of the timing period, the current  $i$  will turn OFF, and the timer will reset itself.

Now there is no current flowing from pin 1, and the capacitor  $C_L$  will be gradually discharged by  $R_L$  until  $V_x$  falls to the level of  $V_1$ . Then the comparator will trigger the timer and start another cycle.

The current flowing into  $C_L$  is exactly  $I_{AVE} = i \times (1.1 R_t C_t) \times f$ , and the current flowing out of  $C_L$  is exactly  $V_x / R_L = V_{IN} / R_L$ . If  $V_{IN}$  is doubled, the frequency will double to maintain this balance. Even a simple V-to-F converter can provide a frequency precisely proportional to its input voltage over a wide range of frequencies.



## Detail of Operation, Functional Block Diagram

The block diagram (FUNCTIONAL BLOCK DIAGRAM) shows a band gap reference which provides a stable 1.9 VDC output. This 1.9 VDC is well regulated over a VS range of 3.9V to 40V. It also has a flat, low temperature coefficient, and typically changes less than ½% over a 100°C temperature change.

The current pump circuit forces the voltage at pin 2 to be at 1.9V, and causes a current  $i=1.90V/R_S$  to flow. For  $R_S=14k$ ,  $i=135 \mu A$ . The precision current reflector provides a current equal to  $i$  to the current switch. The current switch switches the current to pin 1 or to ground, depending upon the state of the RS flip-flop.

The timing function consists of an RS flip-flop and a timer comparator connected to the external  $R_t C_t$  network. When the input comparator detects a voltage at pin 7 higher than pin 6, it sets the RS flip-flop which turns ON the current switch and the output driver transistor. When the voltage at pin 5 rises to  $\frac{2}{3} V_{CC}$ , the timer comparator causes the RS flip-flop to reset. The reset transistor is then turned ON and the current switch is turned OFF.

However, if the input comparator still detects pin 7 higher than pin 6 when pin 5 crosses  $\frac{2}{3} V_{CC}$ , the flip-flop will not be reset, and the current at pin 1 will continue to flow, trying to make the voltage at pin 6 higher than pin 7. This condition will usually apply under start-up conditions or in the case of an overload voltage at signal input. During this sort of overload the output frequency will be 0. As soon as the signal is restored to the working range, the output frequency will be resumed.

The output driver transistor acts to saturate pin 3 with an ON resistance of about 50Ω. In case of over voltage, the output current is actively limited to less than 50 mA.

The voltage at pin 2 is regulated at 1.90 VDC for all values of  $i$  between 10 μA to 500 μA. It can be used as a voltage reference for other components, but care must be taken to ensure that current is not taken from it which could reduce the accuracy of the converter.

## Basic Voltage-to-Frequency Converter (Figure 15)

The simple stand-alone V-to-F converter shown in Figure 15 includes all the basic circuitry of Figure 14 plus a few components for improved performance.

A resistor,  $R_{IN}=100 k\Omega \pm 10\%$ , has been added in the path to pin 7, so that the bias current at pin 7 (–80 nA typical) will cancel the effect of the bias current at pin 6 and help provide minimum frequency offset.

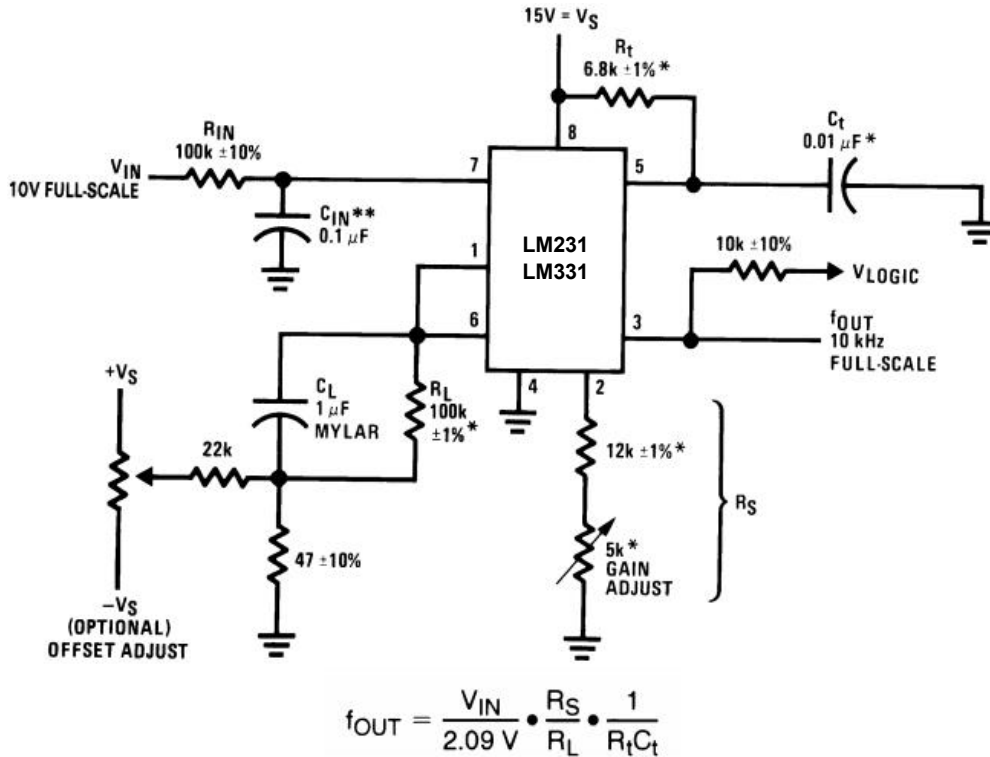
The resistance  $R_S$  at pin 2 is made up of a 12 kΩ fixed resistor plus a 5 kΩ (cermet, preferably) gain adjust rheostat. The function of this adjustment is to trim out the gain tolerance of the LM231/331, and the tolerance of  $R_t$ ,  $R_L$  and  $C_t$ .

For best results, all the components should be stable low-temperature-coefficient components, such as metal-film resistors. The capacitor should have low dielectric absorption; depending on the temperature characteristics desired, NPO ceramic, polystyrene, Teflon or polypropylene are best suited.

A capacitor  $C_{IN}$  is added from pin 7 to ground to act as a filter for  $V_{IN}$ . A value of 0.01 μF to 0.1 μF will be adequate in most cases; however, in cases where better filtering is required, a 1 μF capacitor can be used.

When the RC time constants are matched at pin 6 and pin 7, a voltage step at  $V_{IN}$  will cause a step change in  $f_{OUT}$ . If  $C_{IN}$  is much less than  $C_L$ , a step at  $V_{IN}$  may cause  $f_{OUT}$  to stop momentarily.

A 47Ω resistor, in series with the 1 μF  $C_L$ , provides hysteresis, which helps the input comparator provide the excellent linearity.



\*Use stable components with low temperature coefficients. See APPLICATIONS INFORMATION.

\*\*0.1 μF or 1 μF, See PRINCIPLES OF OPERATION.

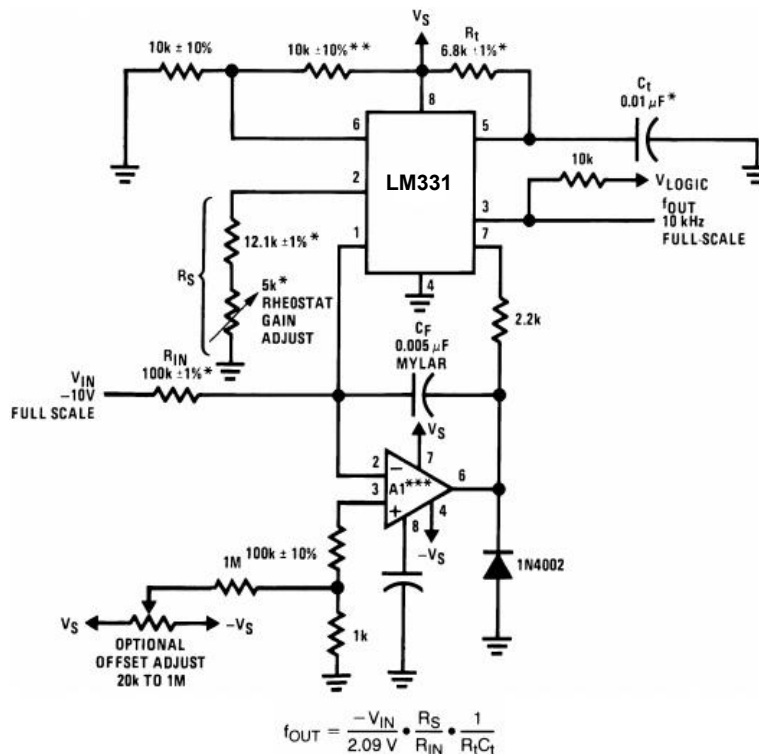
**Figure 15. Simple Stand-Alone V-to-F Converter  
with ±0.03% Typical Linearity (f = 10 Hz to 11 kHz)**

## Details of Operation: Precision V-To-F Converter (Figure 16)

In this circuit, integration is performed by using a conventional operational amplifier and feedback capacitor,  $C_F$ . When the integrator's output crosses the nominal threshold level at pin 6 of the LM231/331, the timing cycle is initiated. The average current fed into the op-amp's summing point (pin 2) is  $i \times (1.1 R_t C_t) \times f$  which is perfectly balanced with  $-V_{IN}/R_{IN}$ . In this circuit, the voltage offset of the LM231/331 input comparator does not affect the offset or accuracy of the V-to-F converter as it does in the stand-alone V-to-F converter; nor does the LM231/331 bias current or offset current. Instead, the offset voltage and offset current of the operational amplifier are the only limits on how small the signal can be accurately converted. Since op-amps with voltage offset well below 1 mV and offset currents well below 2 nA are available at low cost, this circuit is recommended for best accuracy for small signals. This circuit also responds immediately to any change of input signal (which a stand-alone circuit does not) so that the output frequency will be an accurate representation of  $V_{IN}$ , as quickly as 2 output pulses' spacing can be measured.

In the precision mode, excellent linearity is obtained because the current source (pin 1) is always at ground potential and that voltage does not vary with  $V_{IN}$  or  $f_{OUT}$ . (In the stand-alone V-to-F converter, a major cause of non-linearity is the output impedance at pin 1 which causes  $i$  to change as a function of  $V_{IN}$ ).

The circuit of Figure 17 operates in the same way as Figure 16, but with the necessary changes for high speed operation.



\*Use stable components with low temperature coefficients. See APPLICATIONS INFORMATION.

\*\*This resistor can be 5 kΩ or 10 kΩ for  $V_S=8V$  to  $22V$ , but must be 10 kΩ for  $V_S=4.5V$  to  $8V$ .

\*\*\*Use low offset voltage and low offset current op-amps for A1: recommended type LF411A

Figure 16. Standard Test Circuit and Applications Circuit, Precision Voltage-to-Frequency Converter

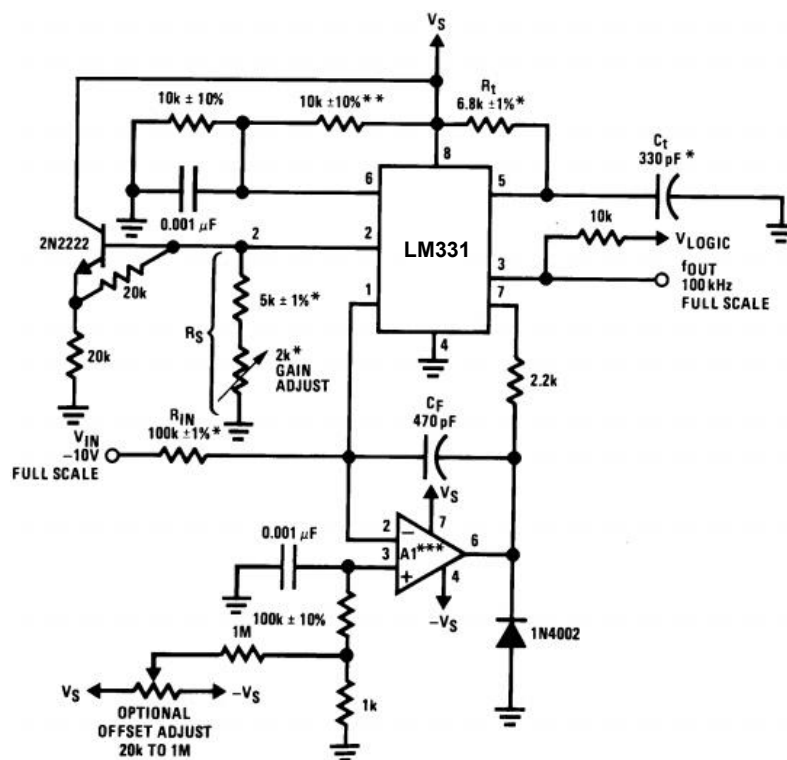
## DETAILS OF OPERATION: F-to-V CONVERTERS (Figure 18 and Figure 19)

In these applications, a pulse input at  $f_{IN}$  is differentiated by a C-R network and the negative-going edge at pin 6 causes the input comparator to trigger the timer circuit. Just as with a V-to-F converter, the average current flowing out of pin 1 is  $I_{AVERAGE} = i \times (1.1 R_t C_t) \times f$ .

In the simple circuit of Figure 18, this current is filtered in the network  $R_L = 100\text{ k}\Omega$  and  $1\text{ }\mu\text{F}$ . The ripple will be less than 10 mV peak, but the response will be slow, with a 0.1 second time constant, and settling of 0.7 second to 0.1% accuracy.

In the precision circuit, an operational amplifier provides a buffered output and also acts as a 2-pole filter. The ripple will be less than 5 mV peak for all frequencies above 1 kHz, and the response time will be much quicker than in Figure 18. However, for input frequencies below 200 Hz, this circuit will have worse ripple than Figure 18.

The engineering of the filter time-constants to get adequate response and small enough ripple simply requires a study of the compromises to be made. Inherently, V-to-F converter response can be fast, but F-to-V response can not.



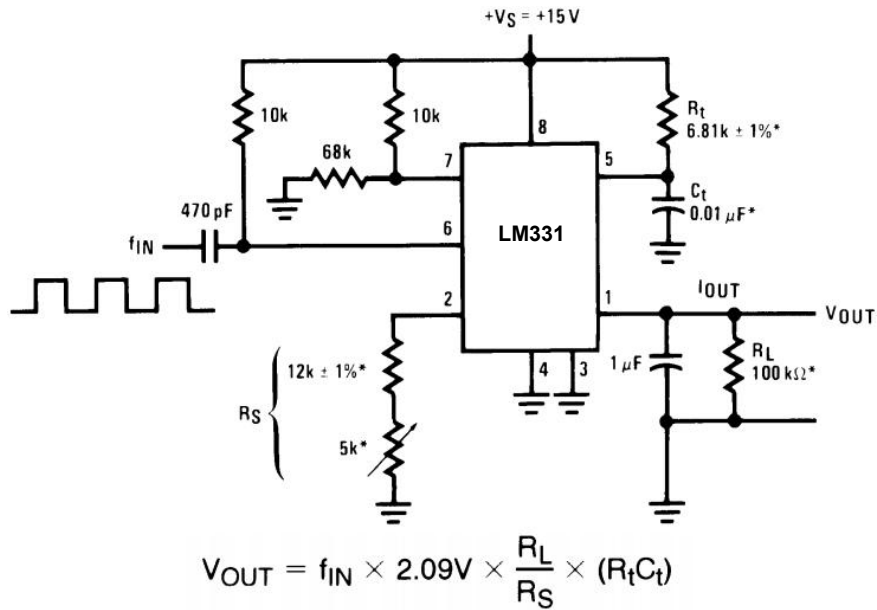
\*Use stable components with low temperature coefficients.

See APPLICATIONS INFORMATION.

\*\*This resistor can be 5 k $\Omega$  or 10 k $\Omega$  for  $V_S=8\text{V}$  to 22V, but must be 10 k $\Omega$  for  $V_S=4.5\text{V}$  to 8V.

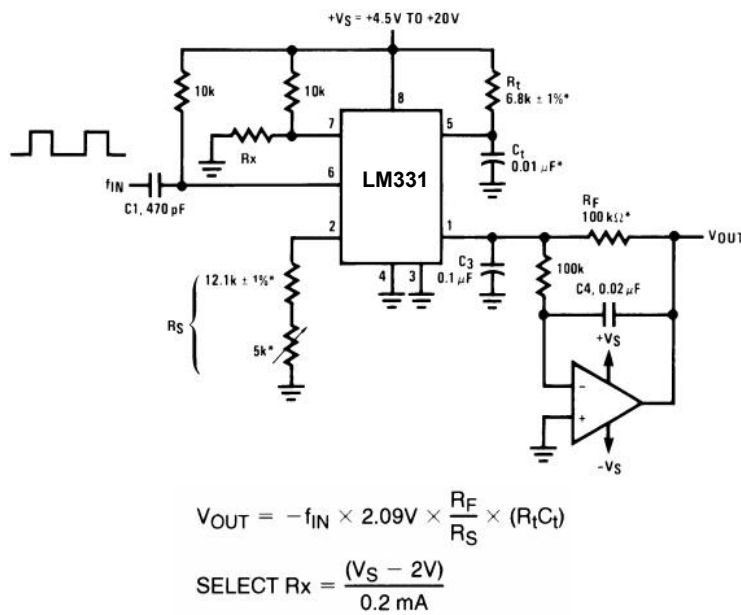
\*\*\*Use low offset voltage and low offset current op-amps for A1: recommended types LF411A or LF356.

Figure 17. Precision Voltage-to-Frequency Converter, 100 kHz Full-Scale,  $\pm 0.03\%$  Non-Linearity



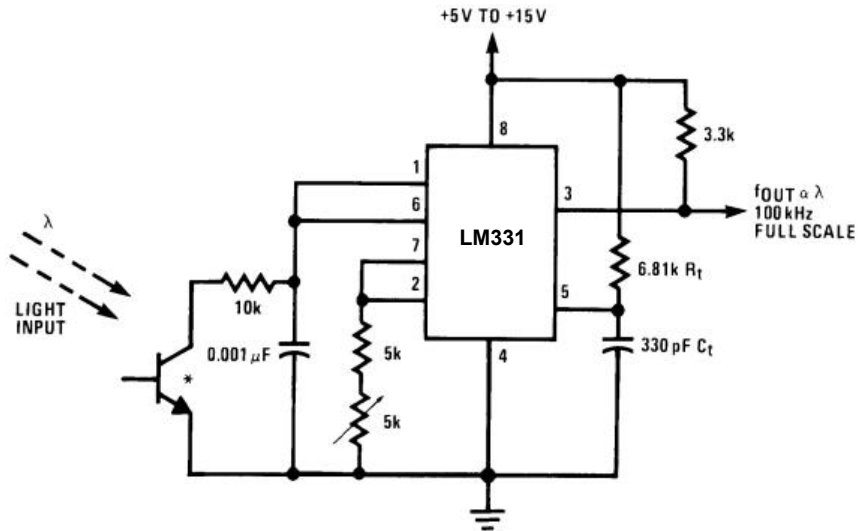
\*Use stable components with low temperature coefficients.

Figure 18. Simple Frequency-to-Voltage Converter, 10 kHz Full-Scale, ±0.06% Non-Linearity



\*Use stable components with low temperature coefficients.

Figure 19. Precision Frequency-to-Voltage Converter, 10 kHz Full-Scale with 2-Pole Filter, ±0.01% Non-Linearity Maximum



\*L14F-1, L14G-1 or L14H-1, photo transistor (General Electric Co.) or similar

Figure 20. Light Intensity to Frequency Converter

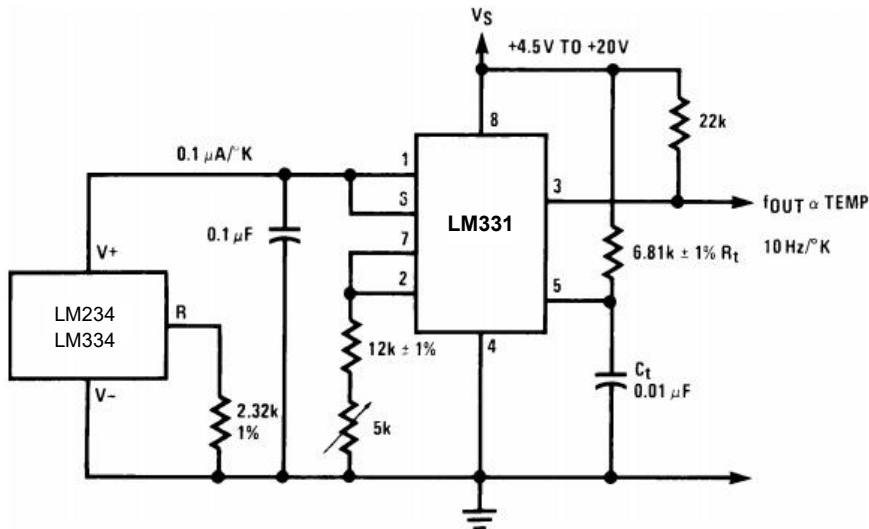


Figure 21. Temperature to Frequency Converter

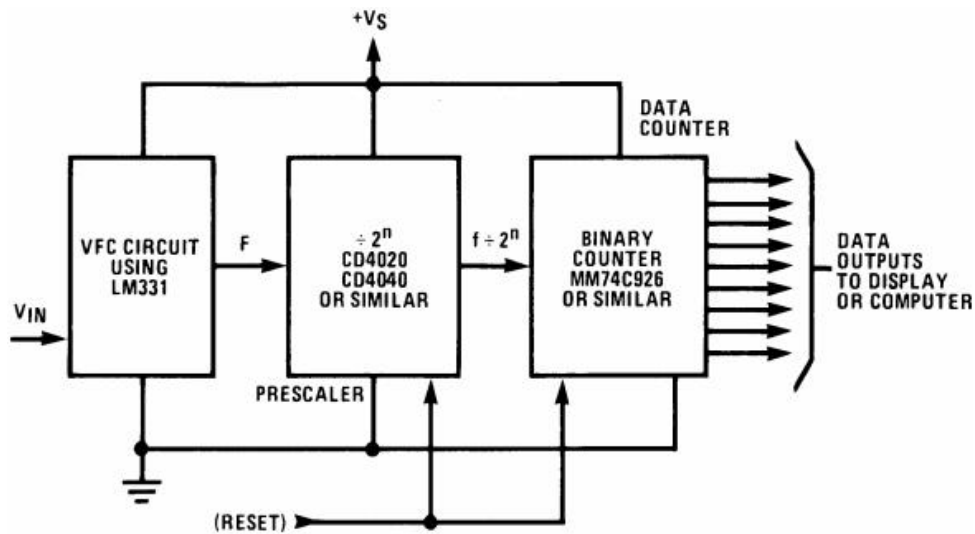


Figure 22. Long-Term Digital Integrator Using VFC

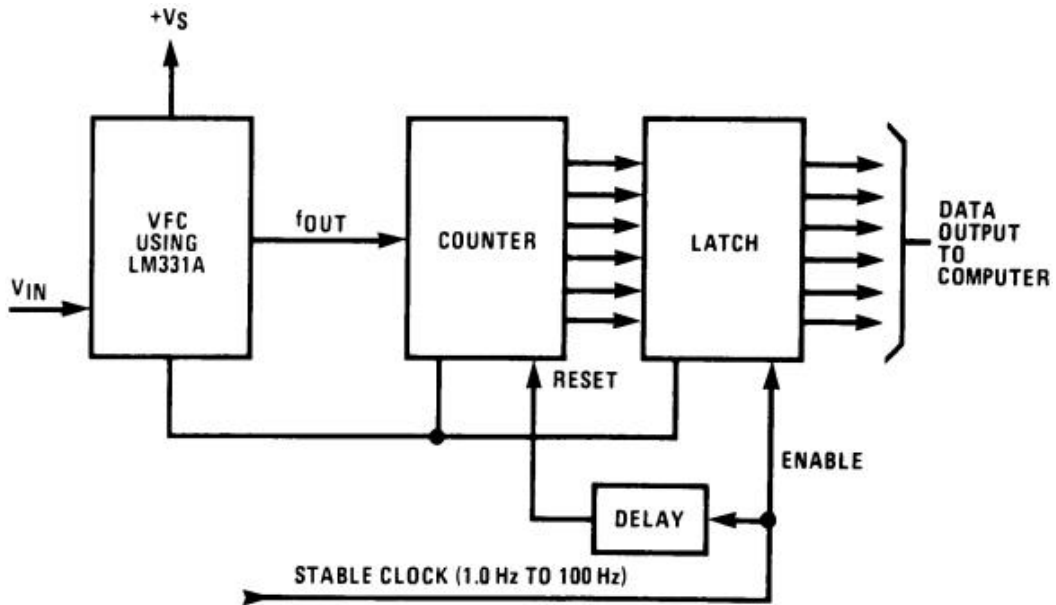


Figure 23. Basic Analog-to-Digital Converter Using Voltage-to-Frequency Converter

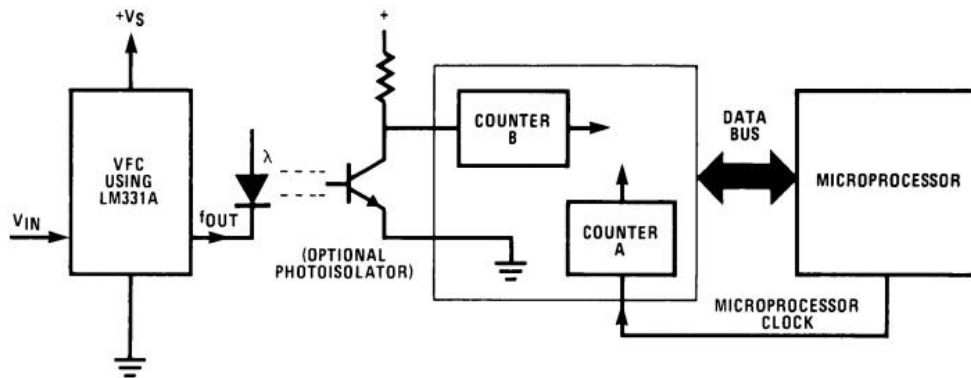


Figure 24. Analog-to-Digital Converter with Microprocessor

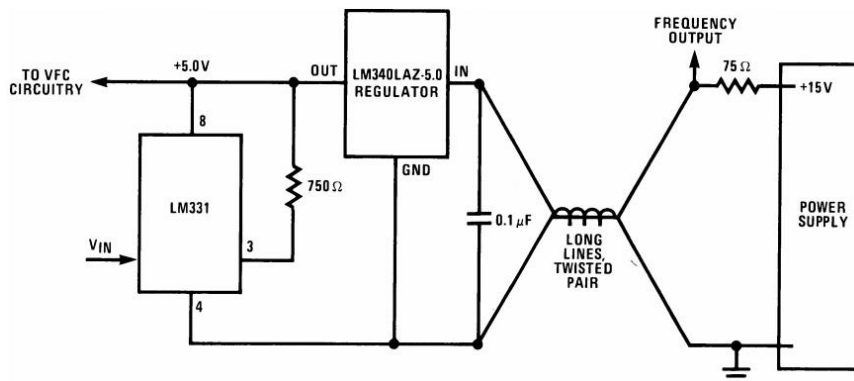


Figure 25. Remote Voltage-to-Frequency Converter with 2-Wire Transmitter and Receiver



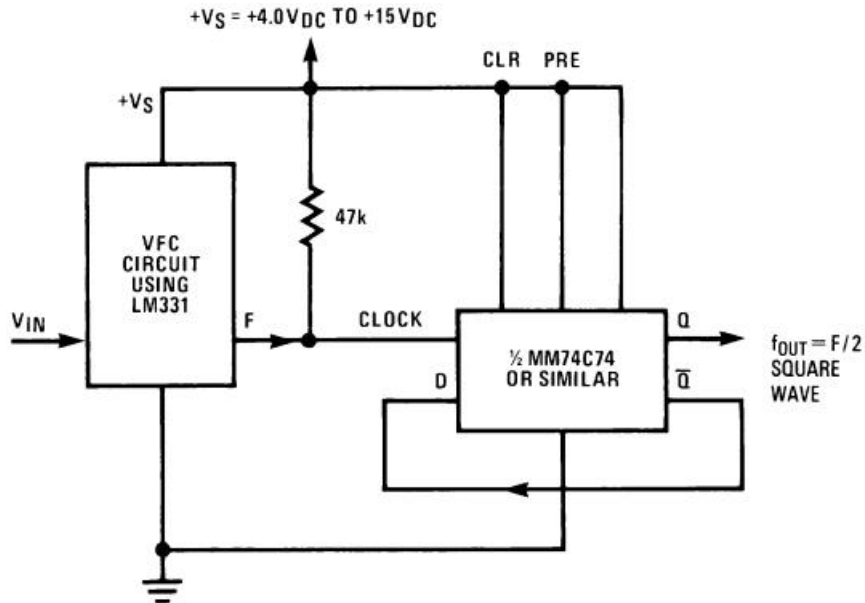


Figure 26. Voltage-to-Frequency Converter with Square-Wave Output Using  $\div 2$  Flip-Flop

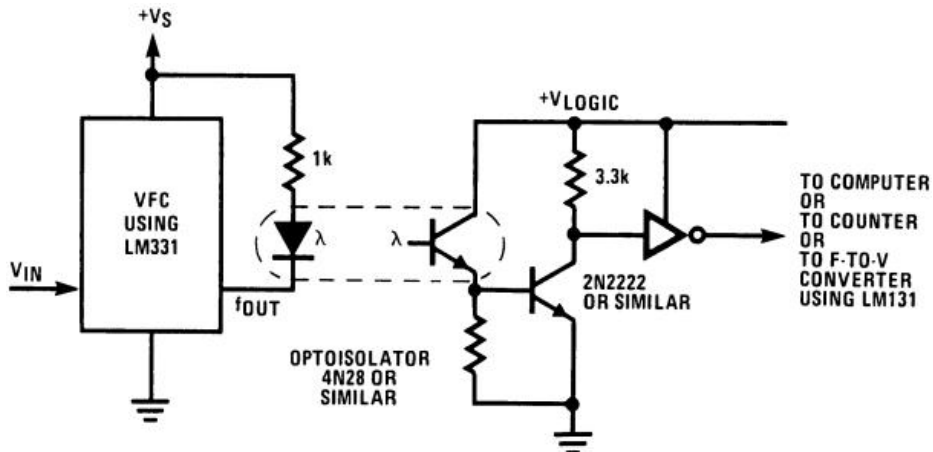


Figure 27. Voltage-to-Frequency Converter with Isolators

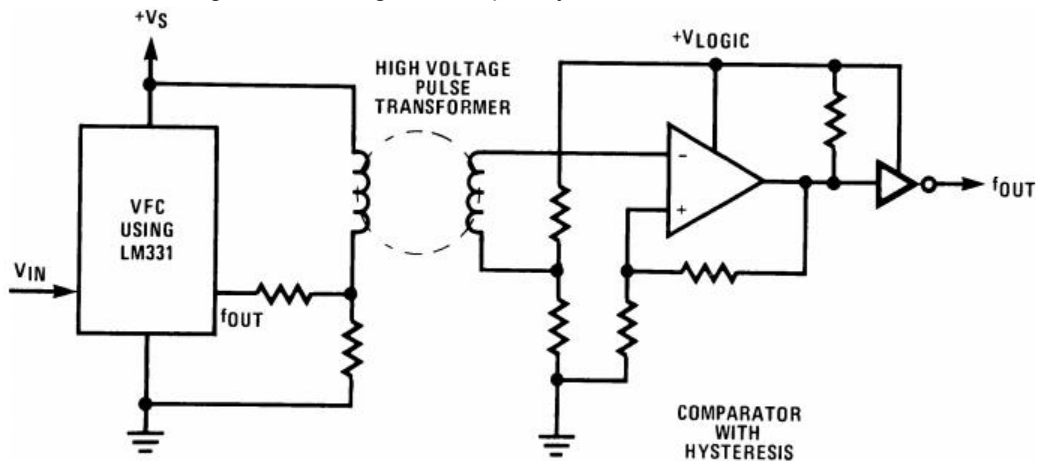


Figure 28. Voltage-to-Frequency Converter with Isolators



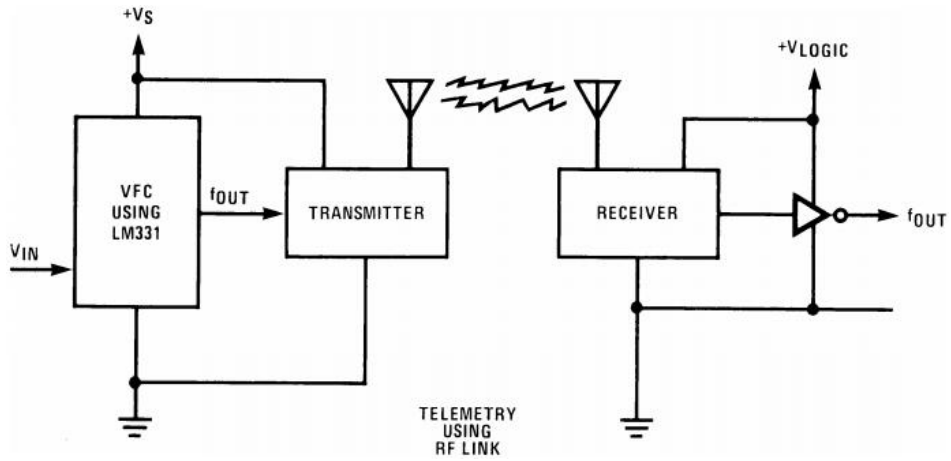


Figure 29. Voltage-to-Frequency Converter with Isolators

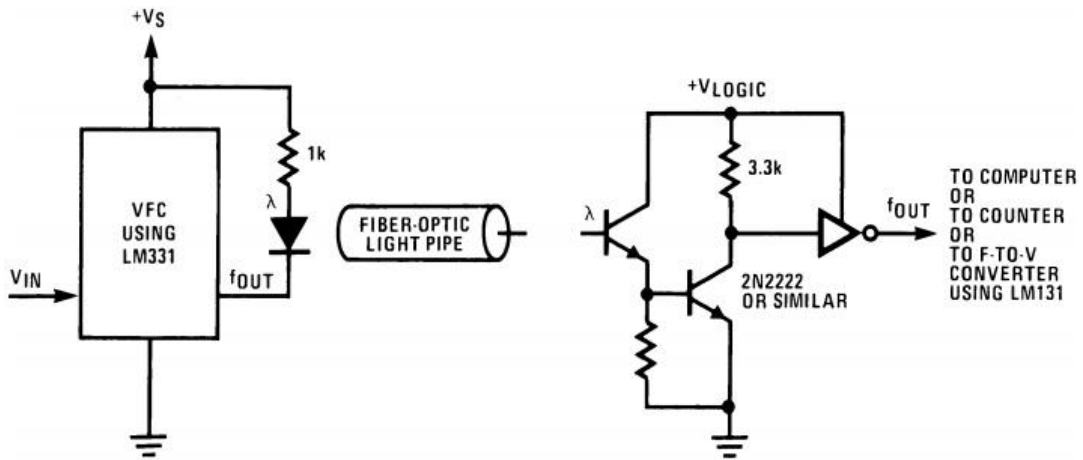
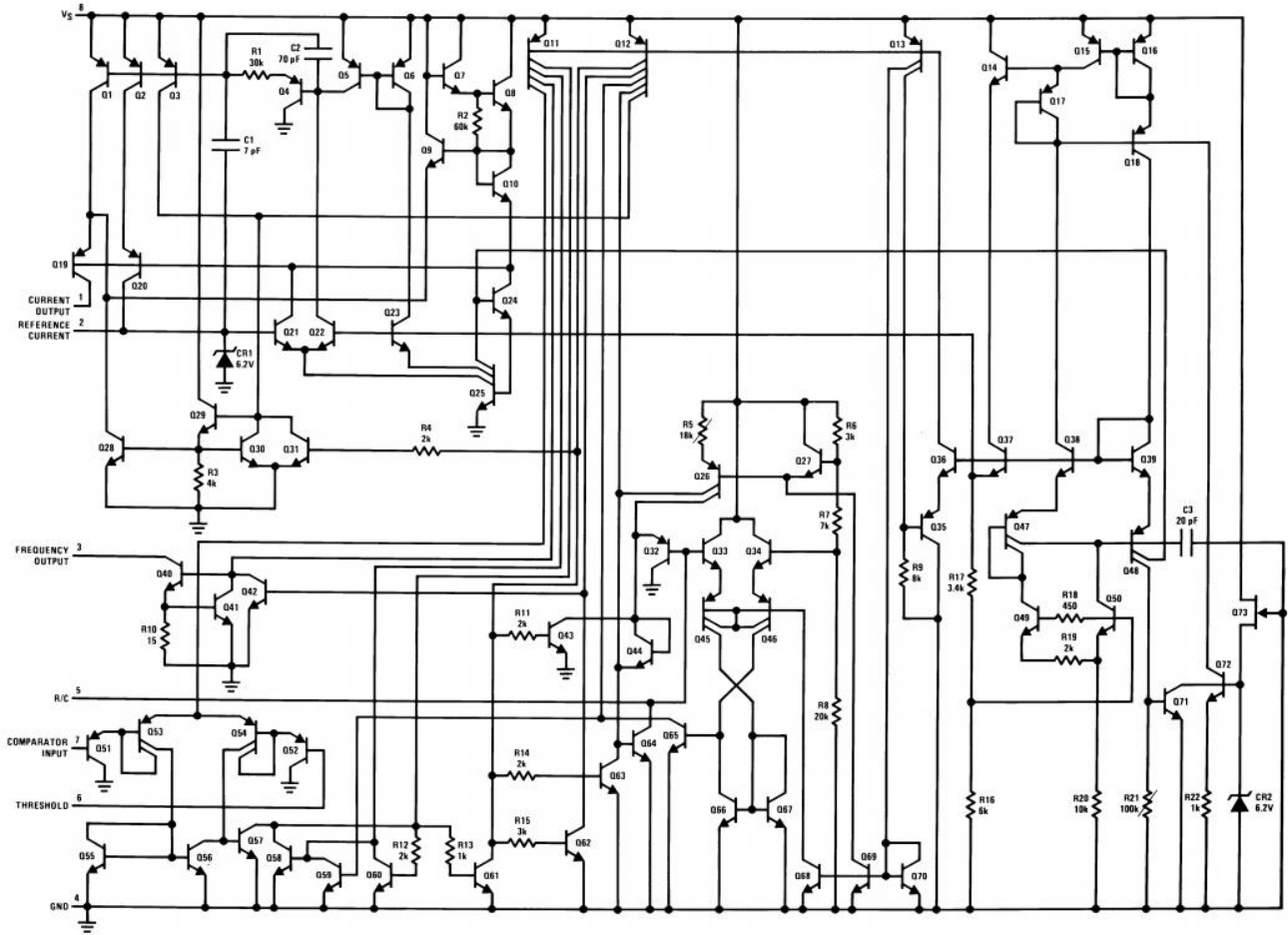
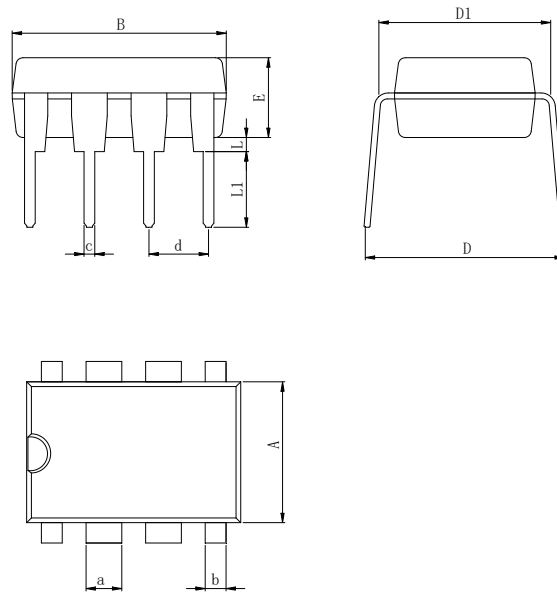


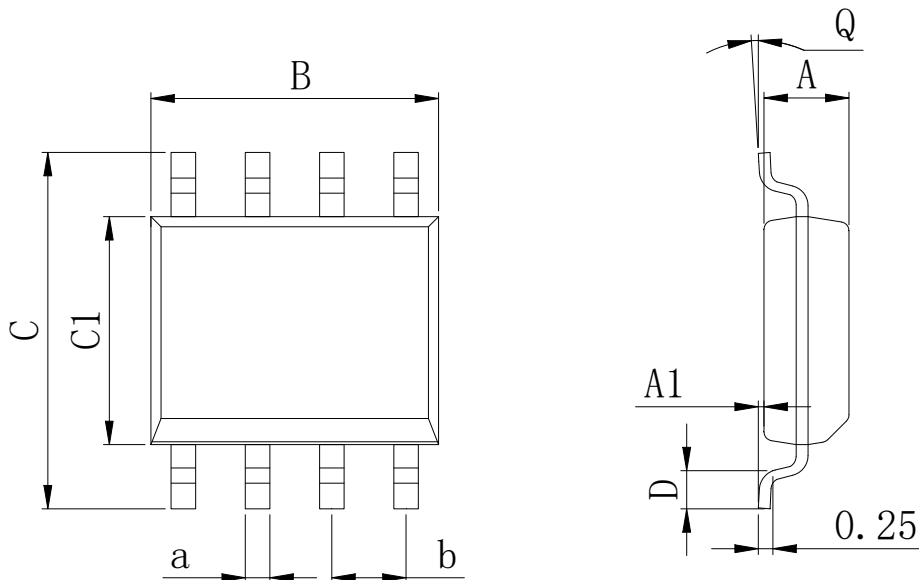
Figure 30. Voltage-to-Frequency Converter with Isolators

**SCHEMATIC DIAGRAM**



**PHYSICAL DIMENSIONS**
**DIP-8**

**Dimensions In Millimeters(DIP-8)**

Symbol:	A	B	D	D1	E	L	L1	a	b	c	d
Min:	6.10	9.00	8.10	7.42	3.10	0.50	3.00	1.50	0.85	0.40	2.54 BSC
Max:	6.68	9.50	10.9	7.82	3.55	0.70	3.60	1.55	0.90	0.50	

**SOP-8**

**Dimensions In Millimeters(SOP-8)**

Symbol:	A	A1	B	C	C1	D	Q	a	b
Min:	1.35	0.05	4.90	5.80	3.80	0.40	0°	0.35	1.27 BSC
Max:	1.55	0.20	5.10	6.20	4.00	0.80	8°	0.45	

**REVISION HISTORY**

DATE	REVISION	PAGE
2017-3-6	New	1-21
2023-8-29	Update encapsulation type、 Update Lead Temperature、 Updated DIP-8 dimension	1、 2、 19

**IMPORTANT STATEMENT:**

Huaguan Semiconductor reserves the right to change its products and services without notice. Before ordering, the customer shall obtain the latest relevant information and verify whether the information is up to date and complete. Huaguan Semiconductor does not assume any responsibility or obligation for the altered documents.

Customers are responsible for complying with safety standards and taking safety measures when using Huaguan Semiconductor products for system design and machine manufacturing. You will bear all the following responsibilities: Select the appropriate Huaguan Semiconductor products for your application; Design, validate and test your application; Ensure that your application meets the appropriate standards and any other safety, security or other requirements. To avoid the occurrence of potential risks that may lead to personal injury or property loss.

Huaguan Semiconductor products have not been approved for applications in life support, military, aerospace and other fields, and Huaguan Semiconductor will not bear the consequences caused by the application of products in these fields. All problems, responsibilities and losses arising from the user's use beyond the applicable area of the product shall be borne by the user and have nothing to do with Huaguan Semiconductor, and the user shall not claim any compensation liability against Huaguan Semiconductor by the terms of this Agreement.

The technical and reliability data (including data sheets), design resources (including reference designs), application or other design suggestions, network tools, safety information and other resources provided for the performance of semiconductor products produced by Huaguan Semiconductor are not guaranteed to be free from defects and no warranty, express or implied, is made. The use of testing and other quality control technologies is limited to the quality assurance scope of Huaguan Semiconductor. Not all parameters of each device need to be tested.

The documentation of Huaguan Semiconductor authorizes you to use these resources only for developing the application of the product described in this document. You have no right to use any other Huaguan Semiconductor intellectual property rights or any third party intellectual property rights. It is strictly forbidden to make other copies or displays of these resources. You should fully compensate Huaguan Semiconductor and its agents for any claims, damages, costs, losses and debts caused by the use of these resources. Huaguan Semiconductor accepts no liability for any loss or damage caused by infringement.

## X-ON Electronics

Largest Supplier of Electrical and Electronic Components

*Click to view similar products for [HGSEMI](#) manufacturer:*

Other Similar products are found below :

[AT24C128N](#) [74HC08M/TR](#) [74HC07N](#) [AT24C02M5/TR](#) [AT24LC512M/TR](#) [74HC04M/TR](#) [AT93C46M/TR](#) [AT24C04N](#) [HG25Q32M/TR](#)  
[HG24C16N](#) [LM4871M/TR](#) [MC7660N](#) [MC7660M/TR](#) [HG741ACM/TR](#) [HG82C51N](#) [HG1118M-3333/TR](#) [TL431ACZ](#) [LM78M05ADT/TR](#)  
[LM2596HVS-ADJ/TR](#) [TLC2543CM](#) [HG24C512N](#) [MC1403](#) [MAX7219N](#) [LM358AN](#) [AT24C08N](#) [L297DM/TR](#) [TL084IM/TR](#) [HG2594M-](#)  
[3.3/TR](#) [TDA2003](#) [TLC2543IN](#) [HG93C46AM/TR](#) [TLC555N](#) [L297N](#) [74C923WN](#) [CD4069BE](#) [TLC5615CN](#) [HG232EM/TR](#) [LM567N](#)  
[OPA2330M/TR](#) [LM2576TB-12](#) [HG24LC128M/TR](#) [OP07DMM/TR](#) [LM385Z-1.2](#) [HG24C02MM/TR](#) [SP3485EIMM/TR](#) [LM7806T](#)  
[LM2595T-5.0](#) [LM2576T-3.3](#) [LM2595S-3.3/TR](#) [SG3525N](#)