

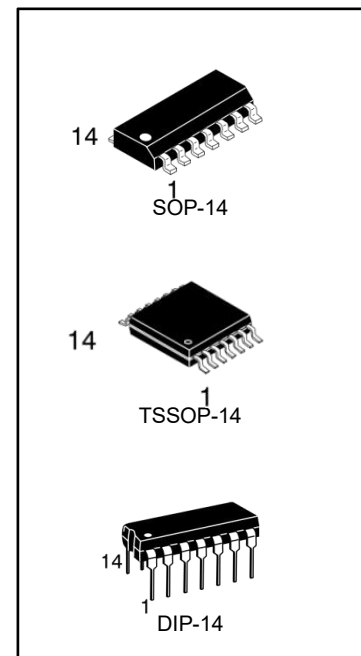
LOW POWER QUAD OPERATIONAL AMPLIFIER

DESCRIPTION

This circuit consists of four independent, high gain, internally frequency compensated operational amplifiers which were designed specially for automotive and industrial control systems. It operates from a single power supply over a wide range of voltages. Operation from split power supplies is also possible and the low power supply current drain is independent of the magnitude of the power supply voltage.

FEATURES

- WIDE GAIN BANDWIDTH: 1.3MHz
- INPUT COMMON-MODE VOLTAGE RANGE INCLUDES GROUND
- LARGE VOLTAGE GAIN: 100dB
- VERY LOW SUPPLY CURRENT/AMPLI: 375 μ A
- LOW INPUT BIAS CURRENT: 20nA
- LOW INPUT OFFSET CURRENT: 2nA
- WIDE POWER SUPPLY RANGE: SINGLE SUPPLY: +3V TO +30V
- DUAL SUPPLIES: \pm 1.5V TO \pm 15V

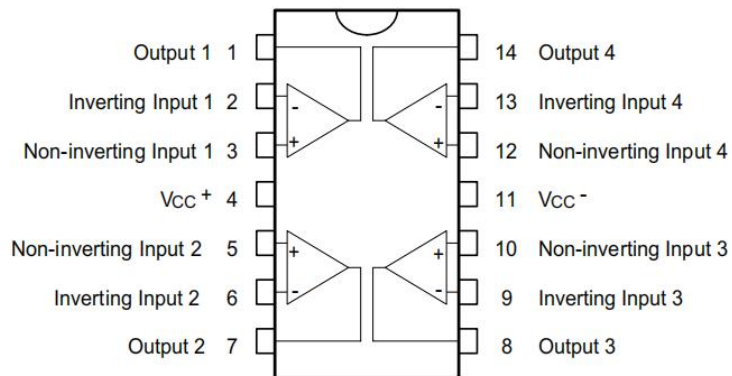


ORDERING INFORMATION

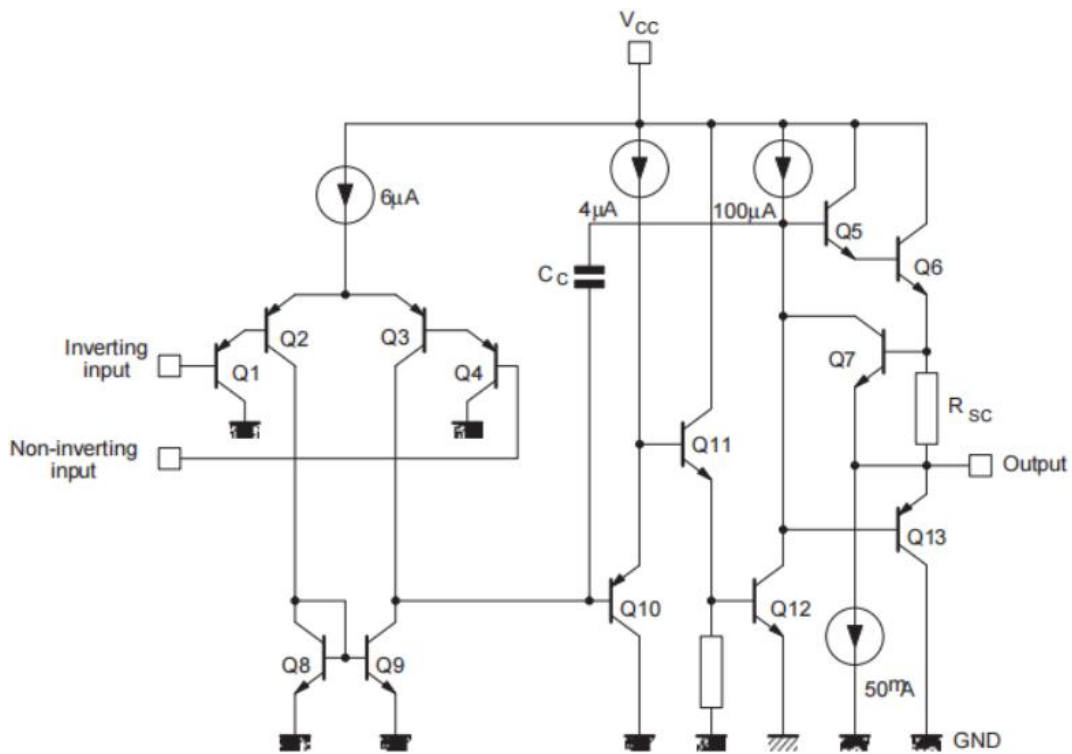
DEVICE	Package Type	MARKING	Packing	Packing Qty
LM2902N	DIP-14	LM2902	TUBE	1000/box
LM2902M/TR	SOP-14	LM2902	REEL	2500/reel
LM2902MT/TR	TSSOP-14	LM2902	REEL	2500/reel

PIN CONNECTIONS (top view)

DIP-14/SOP-14/TSSOP- 14



SCHEMATIC DIAGRAM (1/4 LM2902)



ABSOLUTE MAXIMUM RATINGS ⁽¹⁾

Symbol	Parameter	Value	Unit
V _{CC}	Supply Voltage	±16 to 32	V
V _{id}	Differential Input Voltage	+32	V
V _I	Input Voltage	-0.3 to +32	V
	Output Short-circuit to Ground ²⁾	Infinite	
P _{tot}	Power Dissipation N Suffix	500	mW
	D Suffix	400	
I _{in}	Input Current ³⁾	50	mA
T _{oper}	Operating Free-Air Temperature Range	-40 to +85	°C
T _{stg}	Storage Temperature Range	-65 to +150	°C
T _L	Lead Temperature (Soldering, 10 seconds)	245	°C

1. Absolute Maximum Ratings indicate limits beyond which damage to the device may occur. Operating Ratings indicate conditions for which the device is intended to be functional, but specific performance is not ensured.
2. Short-circuit from the output to VCC can cause excessive heating if VCC > 15V. The maximum output current is approximately 40mA independent of the magnitude of VCC. Destructive dissipation can result from simultaneous short-circuit on all amplifiers.
3. This input current only exists when the voltage at any of the input leads is driven negative. It is due to the collector-base junction of the input PNP transistor becoming forward biased and thereby acting as input diodes clamps. In addition to this diode action, there is also NPN parasitic action on the IC chip. This transistor action can cause the output voltages of the Op-Amps to go to the VCC voltage level (or to ground for a large overdrive) for the time duration than an input is driven negative. This is not destructive and normal output will set up again for input voltage higher than -0.3V.

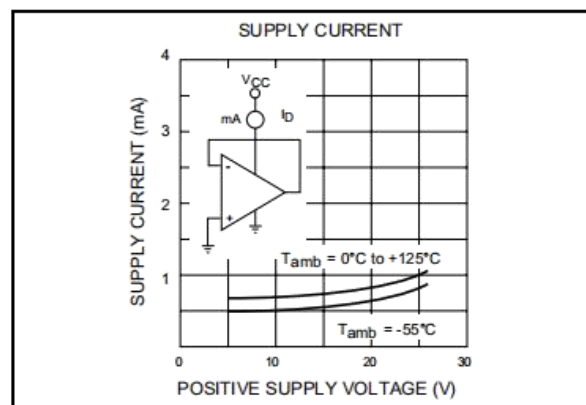
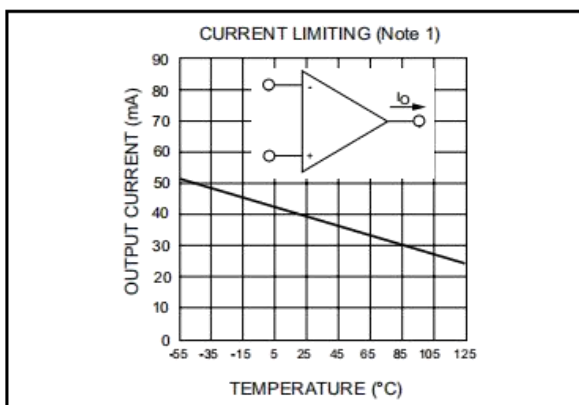
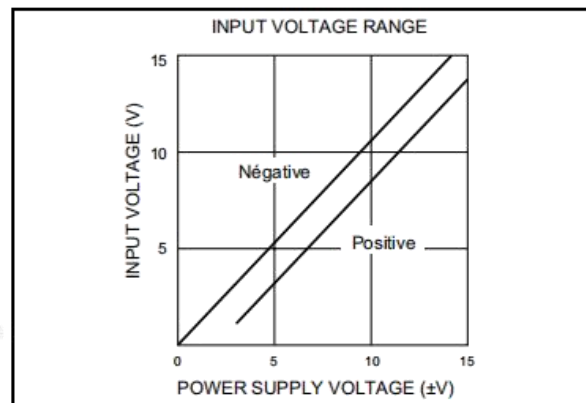
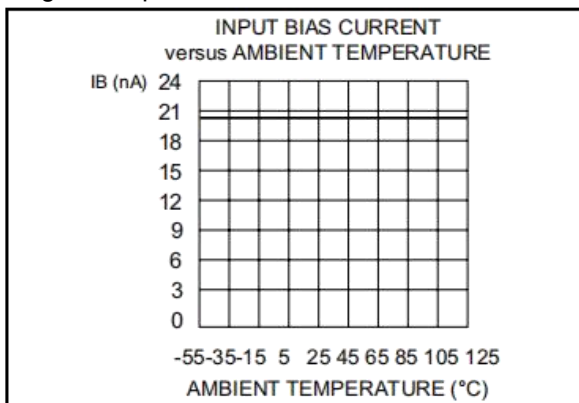
ELECTRICAL CHARACTERISTICS

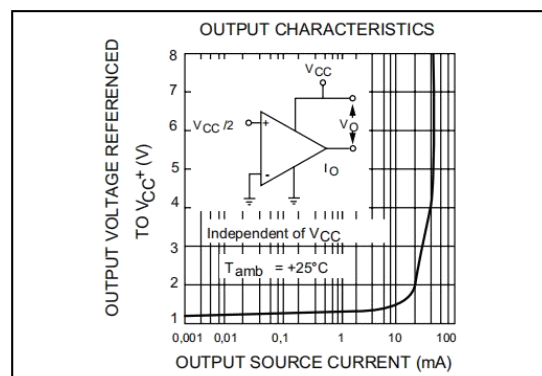
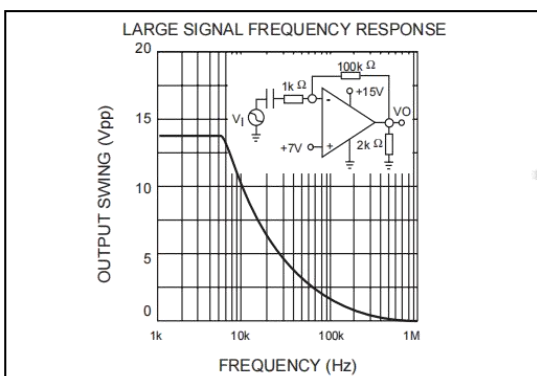
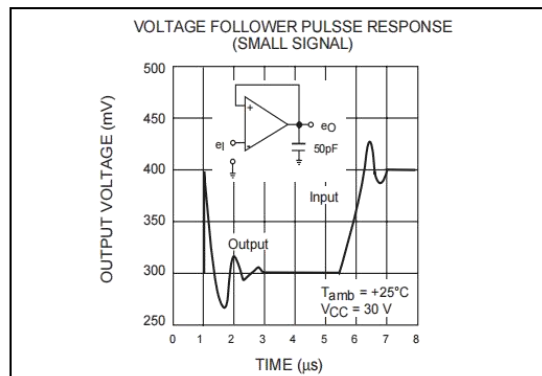
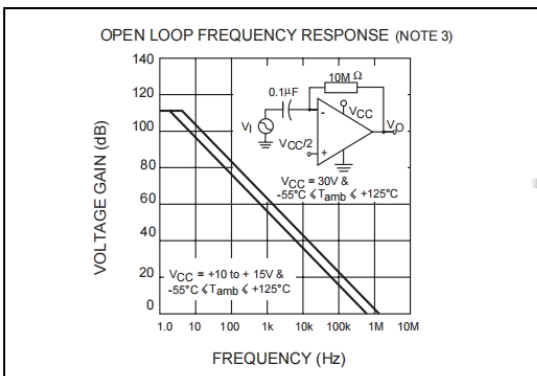
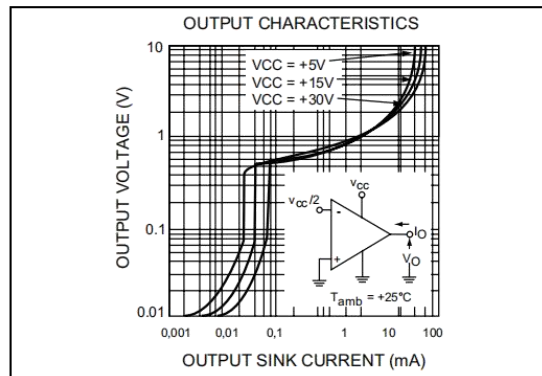
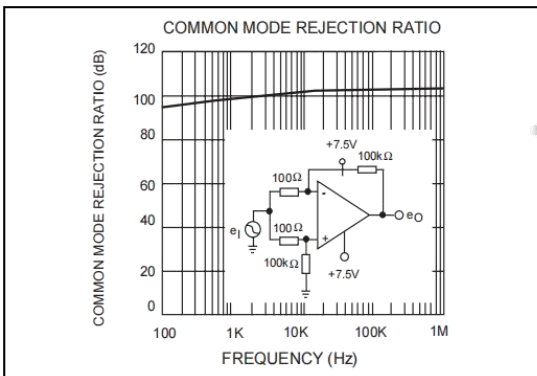
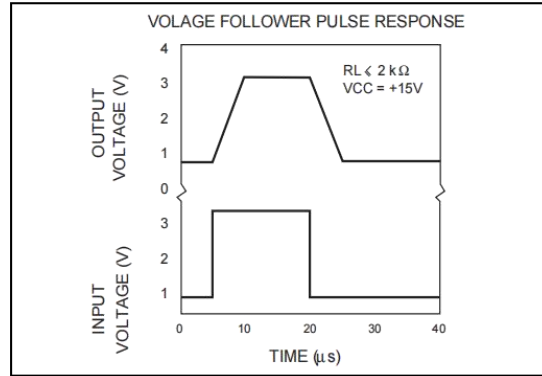
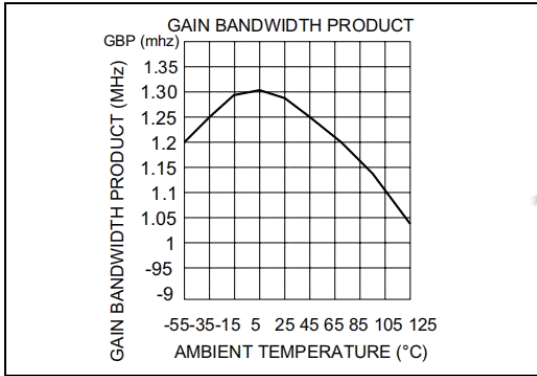
VCC+ = 5V, Vcc- = Ground, VO = 1.4V, Tamb = 25°C (unless otherwise specified)

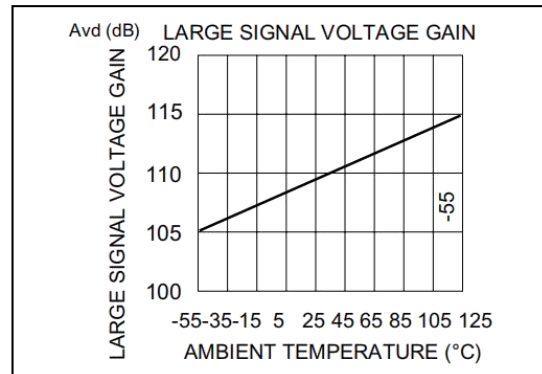
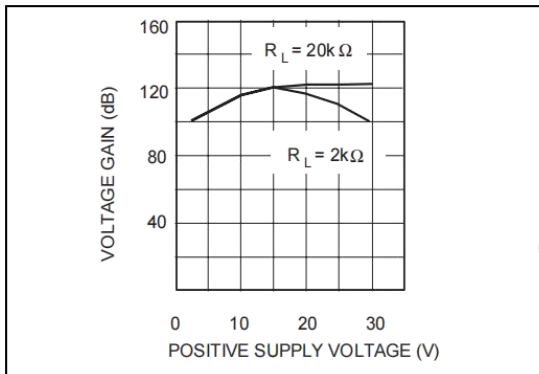
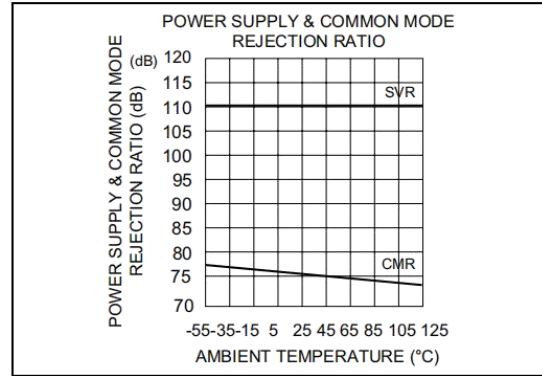
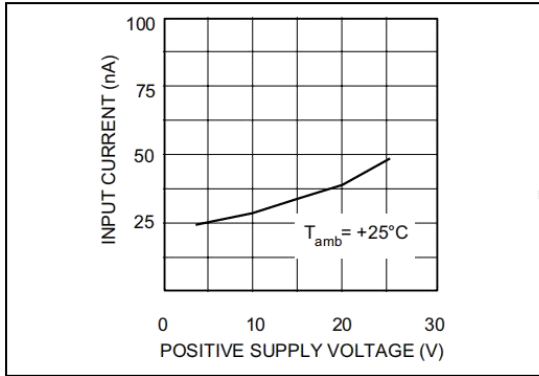
Symbol	Parameter	Min.	Typ.	Max.	Unit
Vio	Input Offset Voltage ¹⁾ Tamb = +25°C Tmin ≤ Tamb ≤ Tmax.		2	7 9	mV
Iio	Input Offset Current Tamb = +25°C Tmin ≤ Tamb ≤ Tmax.		2	30 40	nA
Iib	Input Bias Current ²⁾ Tamb = +25°C Tmin ≤ Tamb ≤ Tmax.		20	150 300	nA
Avd	Large Signal Voltage Gain Vcc+ = +15V, RL = 2kΩ, VO = 1.4V to 11.4V Tamb = +25°C Tmin ≤ Tamb ≤ Tmax.	50 25	100		V/mV
SVR	Supply Voltage Rejection Ratio (RS ≤ 10kΩ) Tamb = +25°C Tmin ≤ Tamb ≤ Tmax.	65 65	110		dB
Icc	Supply Current, all Amp, no load Tamb = +25°C VCC = +5V Tmin ≤ Tamb ≤ Tmax. VCC = +30V VCC = +5V VCC = +30V		0.7 1.5 0.8 1.5	1.2 3 1.2 3	mA
Vicm	Input Common Mode Voltage Range (VCC = +30V) ³⁾ Tamb = +25°C Tmin ≤ Tamb ≤ Tmax.	0 0		VCC - 1.5 VCC - 2	V
CMR	Common-mode Rejection Ratio (RS ≤ 10kΩ) Tamb = +25°C Tmin ≤ Tamb ≤ Tmax.	70 60	80		dB
Io	Output Short-circuit Current (Vid = +1V) VCC = +15V, VO = +2V	20	40	70	mA
I _{sink}	Output Sink Current (Vid = -1V) VCC = +15V, VO = +2V VCC = +15V, VO = +0.2V	10 12	20 50		mA μA
VOH	High Level Output Voltage (Vcc + 30V) Tamb = +25°C RL = 2kΩ Tmin ≤ Tamb ≤ Tmax. Tamb = +25°C RL = 10kΩ Tmin ≤ Tamb ≤ Tmax. (Vcc + 5V), RL = 2kΩ Tmin ≤ Tamb ≤ Tmax. Tamb = +25°C	26 26 27 27 3.5 3	27 28		V
VOL	Low Level Output Voltage (RL = 10kΩ) Tamb = +25°C Tmin ≤ Tamb ≤ Tmax		5	20 20	mV
SR	Slew Rate Vcc = 15V, Vi = 0.5 to 3V, RL = 2kΩ, CL = 100pF, unity gain		0.4		V/μs

Symbol	Parameter	Min.	Typ.	Max.	Unit
GBP	Gain Bandwidth Product $V_{cc} = 30V, V_{in} = 10mV, R_L = 2k\Omega, C_L = 100pF$		1.3		MHz
THD	Total Harmonic Distortion $f = 1kHz, A_v = 20dB, R_L = 2k\Omega, V_o = 2V_{pp}, C_L = 100pF, V_{cc} = 30V$		0.015		%
e_n	Equivalent Input Noise Voltage $f = 1kHz, R_S = 100\Omega, V_{cc} = 30V$		40		$\frac{nV}{\sqrt{Hz}}$
DV_{io}	Input Offset Voltage Drift		7	30	$\mu V/^\circ C$
DI_{io}	Input Offset Current Drift		10	200	$pA/^\circ C$
V_{O1}/V_{O2}	Channel Separation ⁴⁾ $1kHz \leq f \leq 20kHz$		120		dB

- $V_O = 1.4V, R_S = 0\Omega, 5V < V_{CC+} < 30V, 0V < V_{ic} < V_{CC+} - 1.5V$
- The direction of the input current is out of the IC. This current is essentially constant, independent of the state of the output, so no loading charge change exists on the input lines
- The input common-mode voltage of either input signal voltage should not be allowed to go negative by more than 0.3V. The upper end of the common-mode voltage range is $V_{CC+} - 1.5V$, but either or both inputs can go to +32V without damage.
- Due to the proximity of external components insure that coupling is not originating via stray capacitance between these external parts. This typically can be detected as this type of capacitance increases at higher frequencies.

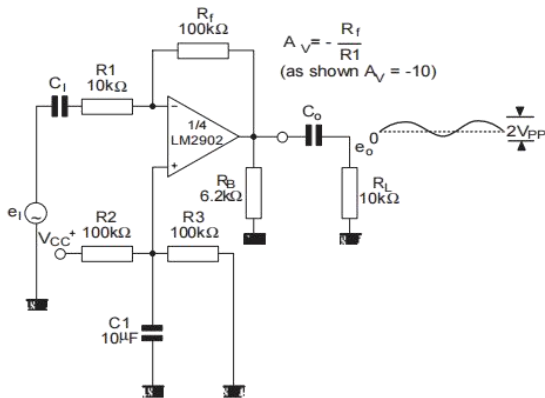




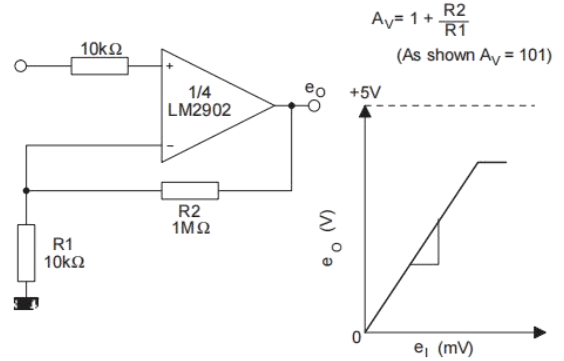


TYPICAL SINGLE - SUPPLY APPLICATIONS

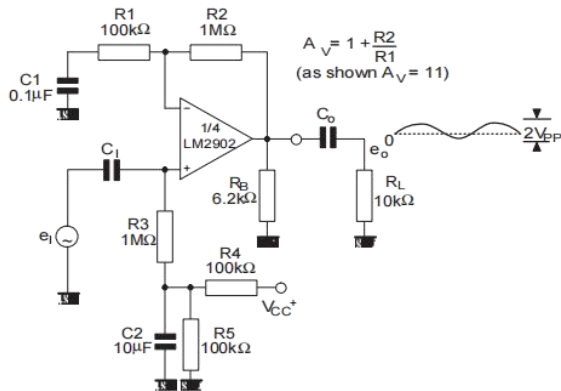
AC COUPLED INVERTING AMPLIFIER



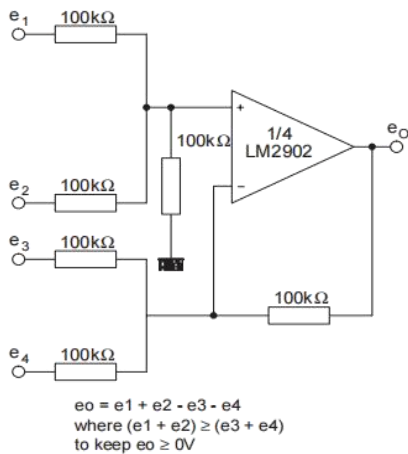
NON-INVERTING DC GAIN



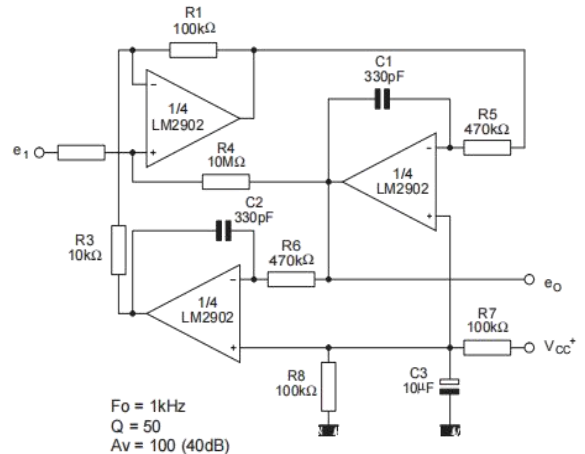
AC COUPLED NON-INVERTING AMPLIFIER



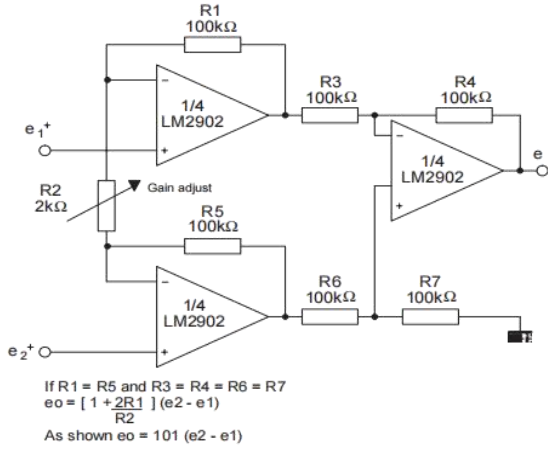
DC SUMMING AMPLIFIER



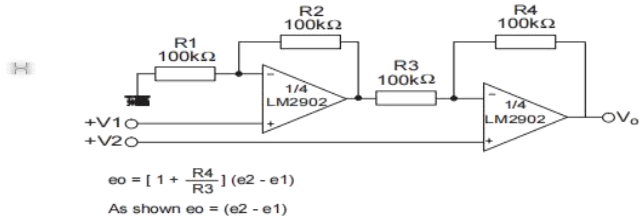
ACTIVER BADPASS FILTER



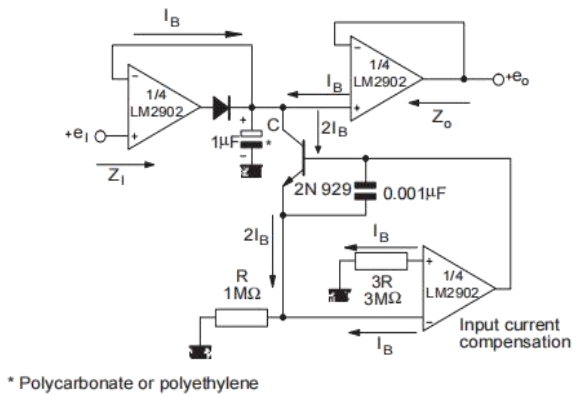
HIGH INPUT Z ADJUSTABLE GAIN DC INSTRUMENTATION AMPLIFIER



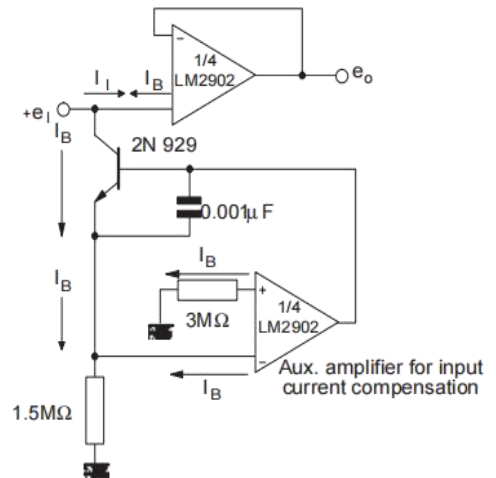
HIGH INPUT Z, DC DIFFERENTIAL AMPLIFIER



LOW DRIFT PEAK DETECTOR

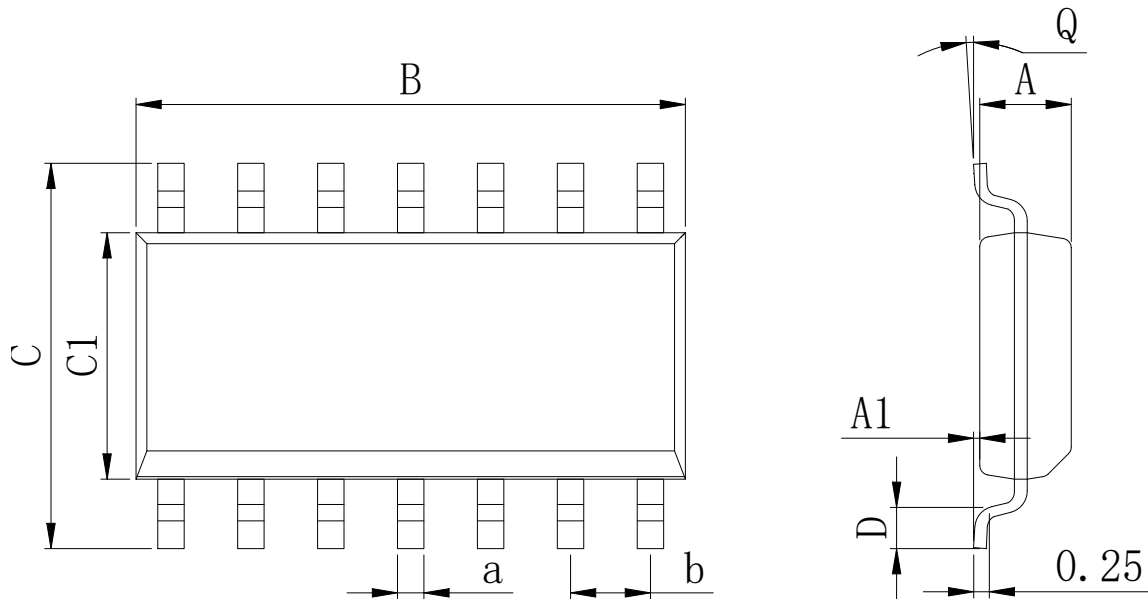


USING SYMMETRICAL AMPLIFIERS TO REDUCE INPUT CURRENT (GENERAL CONCEPT)



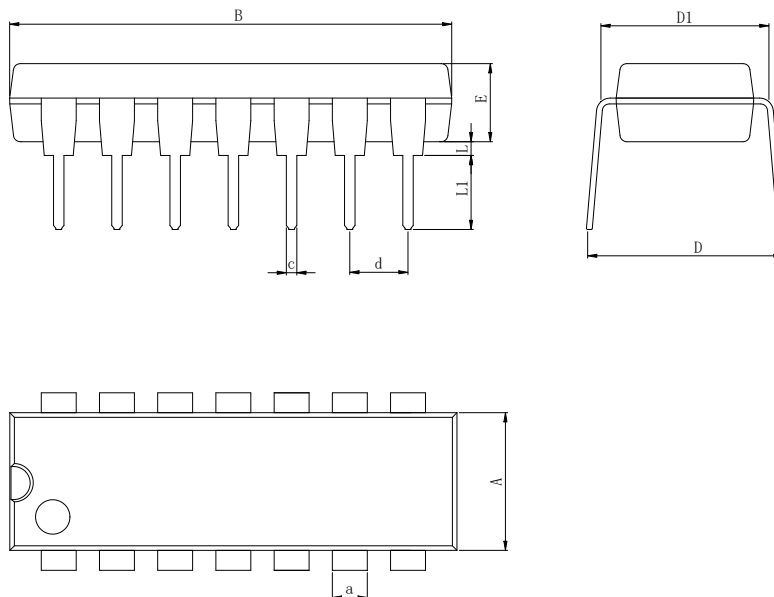
PHYSICAL DIMENSIONS

SOP-14



Dimensions In Millimeters(SOP-14)									
Symbol:	A	A1	B	C	C1	D	Q	a	b
Min:	1.35	0.05	8.55	5.80	3.80	0.40	0°	0.35	1.27 BSC
Max:	1.55	0.20	8.75	6.20	4.00	0.80	8°	0.45	

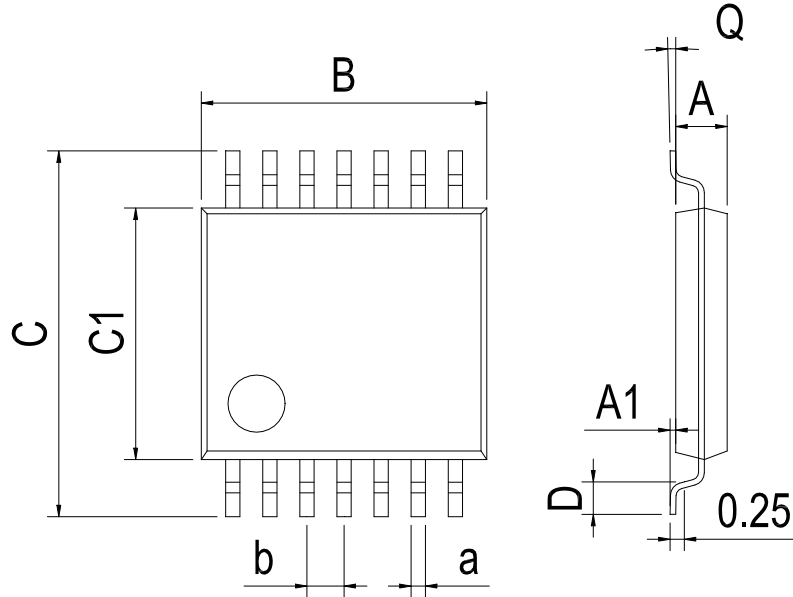
DIP-14



Dimensions In Millimeters(DIP-14)										
Symbol:	A	B	D	D1	E	L	L1	a	c	d
Min:	6.10	18.94	8.10	7.42	3.10	0.50	3.00	1.50	0.40	2.54 BSC
Max:	6.68	19.56	10.9	7.82	3.55	0.70	3.60	1.55	0.50	

PHYSICAL DIMENSIONS

TSSOP-14



Dimensions In Millimeters(TSSOP-14)									
Symbol:	A	A1	B	C	C1	D	Q	a	b
Min:	0.85	0.05	4.90	6.20	4.30	0.40	0°	0.20	0.65 BSC
Max:	0.95	0.20	5.10	6.60	4.50	0.80	8°	0.25	

REVISION HISTORY

DATE	REVISION	PAGE
2011-9-15	New	1-13
2023-9-13	Update encapsulation type、 Update Lead Temperature、 Updated DIP-14 dimension、 Add annotation for Maximum Ratings.	1、 3、 10

IMPORTANT STATEMENT:

Huaguan Semiconductor reserves the right to change its products and services without notice. Before ordering, the customer shall obtain the latest relevant information and verify whether the information is up to date and complete. Huaguan Semiconductor does not assume any responsibility or obligation for the altered documents.

Customers are responsible for complying with safety standards and taking safety measures when using Huaguan Semiconductor products for system design and machine manufacturing. You will bear all the following responsibilities: Select the appropriate Huaguan Semiconductor products for your application; Design, validate and test your application; Ensure that your application meets the appropriate standards and any other safety, security or other requirements. To avoid the occurrence of potential risks that may lead to personal injury or property loss.

Huaguan Semiconductor products have not been approved for applications in life support, military, aerospace and other fields, and Huaguan Semiconductor will not bear the consequences caused by the application of products in these fields. All problems, responsibilities and losses arising from the user's use beyond the applicable area of the product shall be borne by the user and have nothing to do with Huaguan Semiconductor, and the user shall not claim any compensation liability against Huaguan Semiconductor by the terms of this Agreement.

The technical and reliability data (including data sheets), design resources (including reference designs), application or other design suggestions, network tools, safety information and other resources provided for the performance of semiconductor products produced by Huaguan Semiconductor are not guaranteed to be free from defects and no warranty, express or implied, is made. The use of testing and other quality control technologies is limited to the quality assurance scope of Huaguan Semiconductor. Not all parameters of each device need to be tested.

The documentation of Huaguan Semiconductor authorizes you to use these resources only for developing the application of the product described in this document. You have no right to use any other Huaguan Semiconductor intellectual property rights or any third party intellectual property rights. It is strictly forbidden to make other copies or displays of these resources. You should fully compensate Huaguan Semiconductor and its agents for any claims, damages, costs, losses and debts caused by the use of these resources. Huaguan Semiconductor accepts no liability for any loss or damage caused by infringement.

X-ON Electronics

Largest Supplier of Electrical and Electronic Components

Click to view similar products for [Operational Amplifiers - Op Amps](#) category:

Click to view products by [HGSEMI](#) manufacturer:

Other Similar products are found below :

[430227FB](#) [LT1678IS8](#) [NCV33202DMR2G](#) [NJM324E](#) [M38510/13101BPA](#) [NTE925](#) [AZV358MTR-G1](#) [AP4310AUMTR-AG1](#)
[AZV358MMTR-G1](#) [SCY33178DR2G](#) [NCV20034DR2G](#) [NTE778S](#) [NTE871](#) [NTE937](#) [NJU7057RB1-TE2](#) [SCY6358ADR2G](#)
[NJM2904CRB1-TE1](#) [UPC4570G2-E1-A](#) [UPC4741G2-E1-A](#) [UPC4574GR-9LG-E1-A](#) [NJM8532RB1-TE1](#) [EL2250CS](#) [EL5100IS](#) [EL5104IS](#)
[EL5127CY](#) [EL5127CYZ](#) [EL5133IW](#) [EL5152IS](#) [EL5156IS](#) [EL5162IS](#) [EL5202IY](#) [EL5203IY](#) [EL5204IY](#) [EL5210CS](#) [EL5210CYZ](#)
[EL5211IYE](#) [EL5220CY](#) [EL5223CLZ](#) [EL5223CR](#) [EL5224ILZ](#) [EL5227CLZ](#) [EL5227CRZ](#) [EL5244CS](#) [EL5246CS](#) [EL5246CSZ](#) [EL5250IY](#)
[EL5251IS](#) [EL5257IS](#) [EL5260IY](#) [EL5261IS](#)