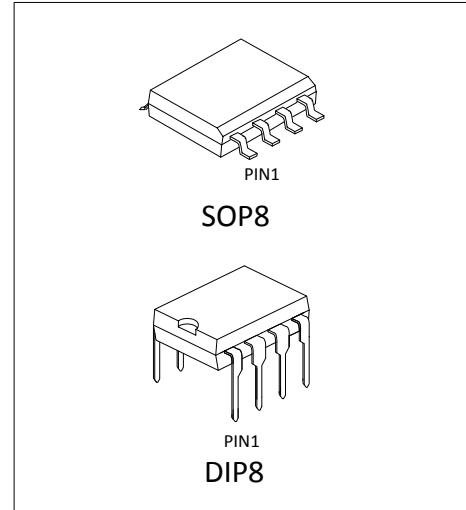


DUAL OPERATIONAL AMPLIFIERS

GENERAL DESCRIPTION

The LM358A consists of two independent, high-gain, internally frequency-compensated operational amplifiers, which were designed specifically to operate from a single power supply over a wide range of voltages. The device operation from split power supplies is also possible and the low power supply current drain is independent of the magnitude of the power supply voltage. Its application areas include transducer amplifiers, dc gain blocks and all the conventional operational amplifier circuits.



FEATURES

- Wide range of supply voltages
- Low supply current drain independent of the supply voltage
- Low input biasing current
- Low input offset voltage and offset current
- Input common-mode voltage range including the Ground
- Differential input voltage range equal to the power supply voltage
- DC voltage gain 100 V/mV (typ.)
- Internal frequency compensation

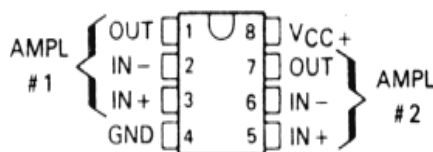
APPLICATIONS

- Transducer amplifiers
- Dc gain blocks
- Conventional op-amp circuits in single power supply systems

ORDERING INFORMATION

DEVICE	Package Type	MARKING	Packing	Packing Qty
LM358AN	DIP8	LM358A	TUBE	2000/box
LM358AM/TR	SOP8	LM358A	REEL	2500/reel

PIN CONFIGURATION



ABSOLUTE MAXIMUM RATINGS

Parameter	Symbol	Ratings
Supply voltage	V_{CC}	40V
Input voltage	V_{IN}	-0.3V to +45V
Input current	I_{IN}	50mA at $V_{IN} = -0.3V$
Maximum output current	I_{OUT}	100mA
Maximum Operating Junction Temperature	T_J	-40°C to 125°C
Storage Temperature Range	T_{STG}	-65°C to 150°C
Lead Temperature (soldering, 10 seconds)	-	260°C
ESD protection (HBM)	-	700V

RECOMMENDED OPERATING CONDITIONS

Parameter	Symbol	Ratings
Input Voltage	V_{IN}	36V
Junction Temperature	T_J	-40°C to +85°C

ELECTRICAL CHARACTERISTICS

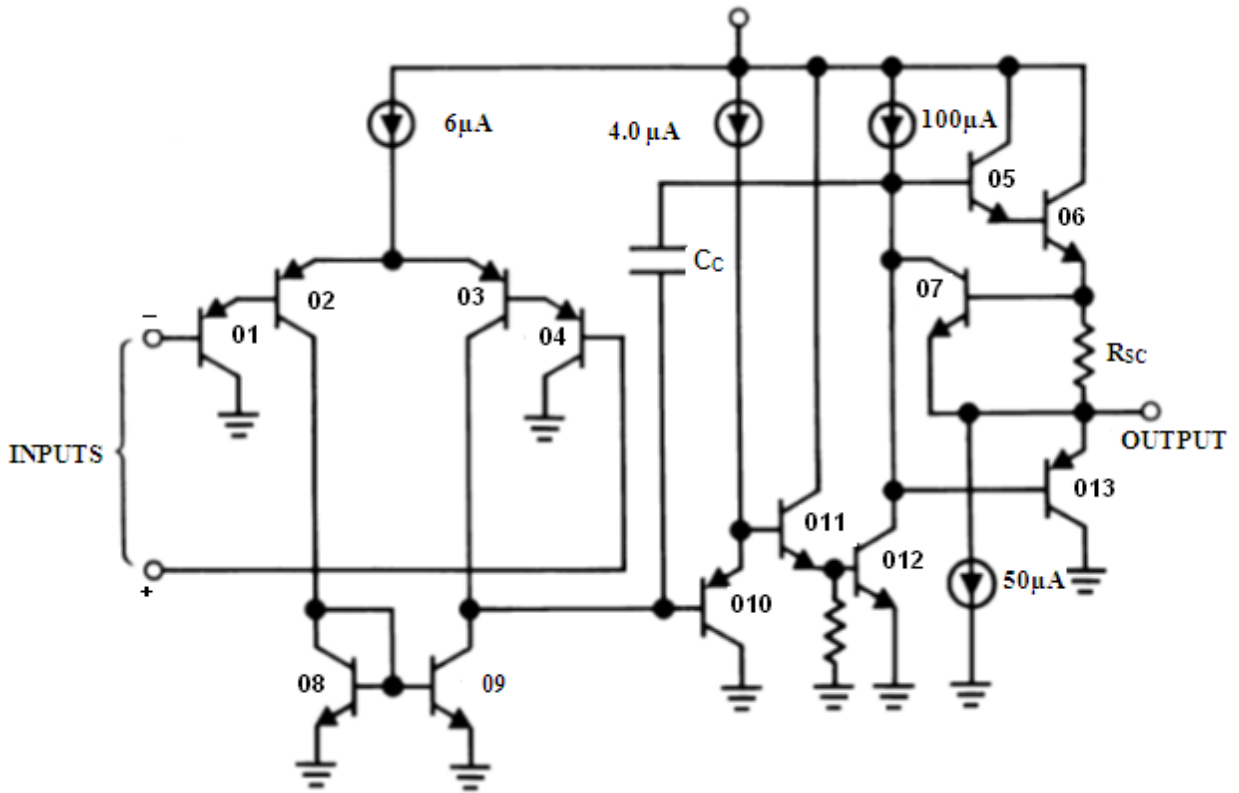
(At specified free-air temperature, $V_{CC} = 5V$, unless otherwise specified)

Parameter	Symbol	Conditions	Min	Typ	Max	Unit
Input Offset Voltage	V_{IO}	$V_{CC} = 5V$ to MAX, $V_{IC} = V_{ICR(min)}$, $V_O = 1.4V$	25°C	3	7	mV
			Full range		9	
Average Temperature Coefficient of Input Offset Voltage	αV_{IO}		Full range	7		$\mu V/^\circ C$
Input Offset Current	I_{IO}	$V_O = 1.4V$	25°C	2	50	nA
			Full range		150	
Average Temperature Coefficient of Input Offset Current	αI_{IO}		Full range	10		$pA/^\circ C$
Input Bias Current	I_{IB}	$V_O = 1.4V$	25°C	-20	-250	nA
			Full range		-500	
Common-mode Input Voltage Range	V_{ICR}	$V_{CC} = 5V$ to MAX	25°C	0 to $V_{CC}-1.5$		V
			Full range	0 to $V_{CC}-2.0$		
High-level Output Voltage	V_{OH}	$V_{CC} = MAX$, $R_L = 2k\Omega$	Full range	26		V
		$V_{CC} = MAX$, $R_L \geq 10k\Omega$	Full range	27	28	
Low-level Output Voltage	V_{OL}	$R_L \geq 10k\Omega$	Full range	5	20	mV
Large-signal Differential Voltage Amplification	A_{VD}	$V_{CC} = 15V$, $V_{OUT} = 1V$ to 11V, $R_L \geq 2k\Omega$	25°C	25	100	V/mV
			Full range	15		
Common-mode Rejection Ratio	CMRR	$V_{CC} = 5V$ to MAX, $V_{IC} = V_{ICR(min)}$	25°C	65	80	dB
Supply Voltage Rejection Ratio ($\Delta V_{CC}/\Delta V_{IO}$)	k_{SVR}	$V_{CC} = 5V$ to MAX	25°C	65	100	dB
Crosstalk Attenuation	V_{O1}/V_{O2}	$f = 1$ kHz to 20 kHz	25°C		120	dB
Output Current	I_{OUT}	$V_{CC} = 15V$, $V_{ID} = 1V$, $V_O = 0$	25°C	-30	-50	mA
			Full range	-20		
			25°C	15	35	mA
			Full range	7		
Short-circuit Output Current	I_{OS}	$V_{ID} = -1V$, $V_O = 15V$	25°C	15	28	mA
			25°C	12	50	

Supply Current (two amplifiers)	I_{CC}	$V_O = 2.5V$, No load	Full range	0.7	1.2	mA
		$V_{CC} = MAX$, $V_O = 0.5V_{CC}$, No load	Full range	1	2	
Slew Rate	SR	$V_{CC} = 15V$, $V_{IN} = 0.5$ to $3V$, $R_L = 2k\Omega$, $C_L = 100pF$, unity gain	$25^\circ C$	0.7		V/ μs
Gain Bandwidth	GBW	$V_{CC} = 30V$, $f = 100kHz$, $V_{IN} = 10mV$, $R_L = 2k\Omega$, $C_L = 100pF$	$25^\circ C$	700		kHz
Total Harmonic Distortion	THD	$f = 1kHz$, $A_V = 20dB$, $R_L = 2k\Omega$, $V_O = 2V_{pp}$, $C_L = 100pF$,	$25^\circ C$	0.04		%

*All characteristics are measured under the open-loop conditions with zero common-mode input voltage, unless otherwise specified. MAX V_{CC} for testing purposes is 36V, $V_{CC(max)}$ = 40V. Full range is $-40^\circ C$ to $+125^\circ C$.

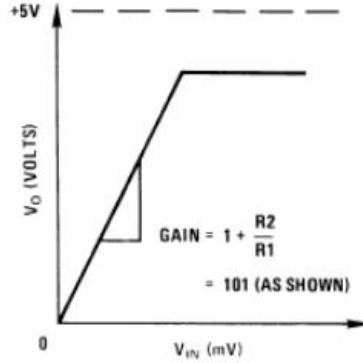
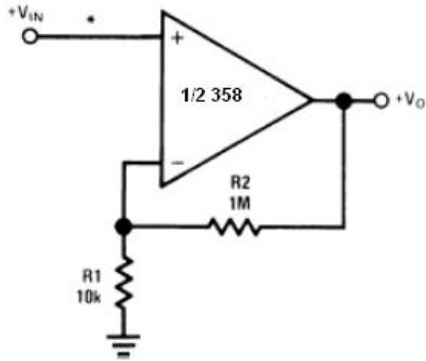
BLOCK DIAGRAM



Typical Single-Supply Applications

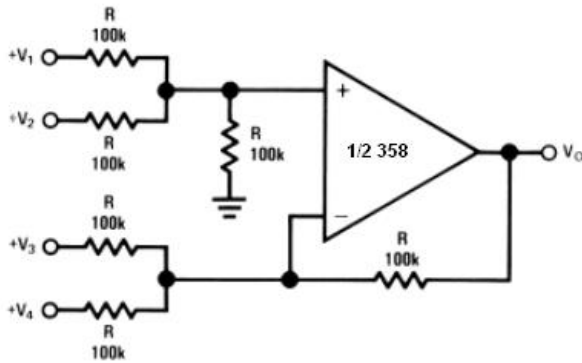
($V^+ = 5.0 V_{DC}$)

Non-Inverting DC Gain (0V Output)



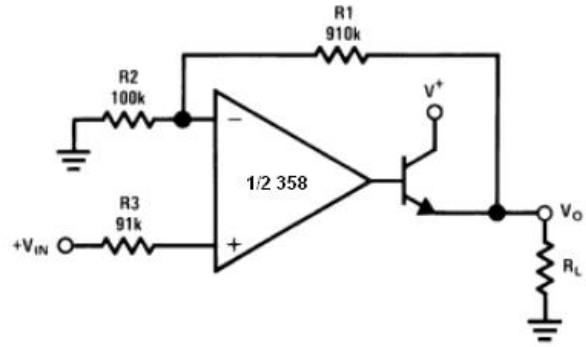
*R not needed due to temperature independent I_{IN}

DC Summing Amplifier
($V_{IN'S} \geq 0 V_{DC}$ and $V_O \geq 0 V_{DC}$)



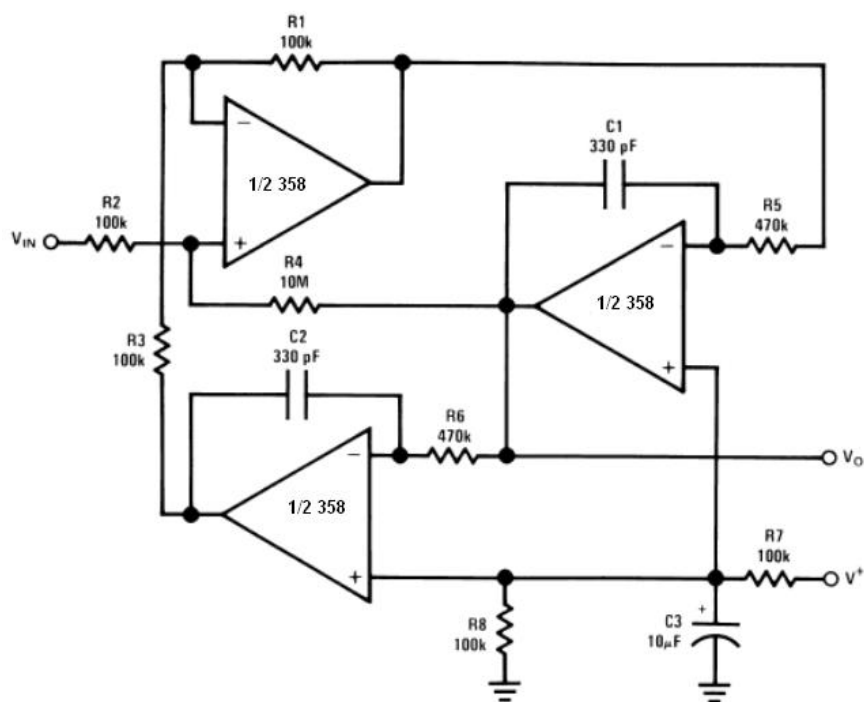
Where: $V_O = V_1 + V_2 - V_3 - V_4$
($V_1 + V_2$) \geq ($V_3 + V_4$) to keep $V_O > 0 V_{DC}$

Power Amplifier



$V_O = 0 V_{DC}$ for $V_{IN} = 0 V_{DC}$
 $A_V = 10$

“BI-QUAD” RC Active Bandpass Filter

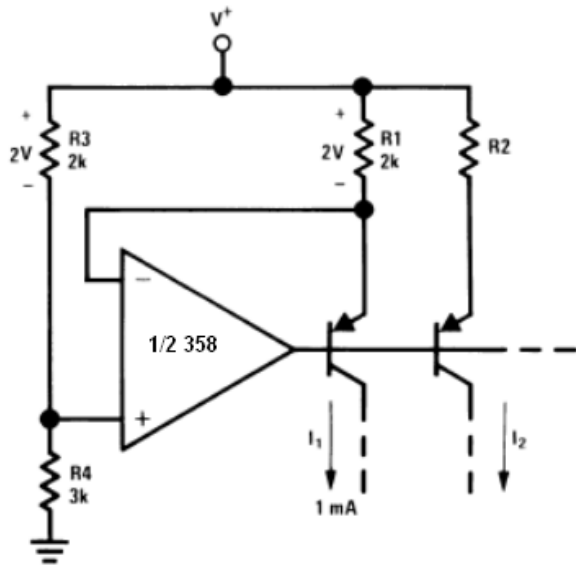


$f_o = 1 \text{ kHz}$

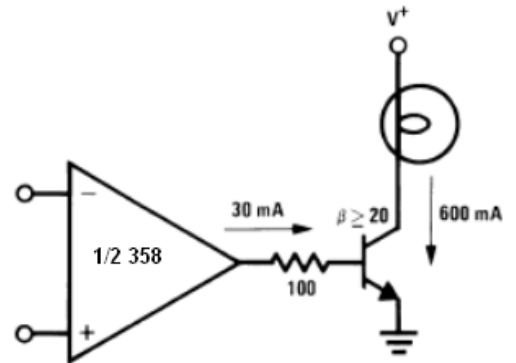
$Q = 50$

$A_v = 100 \text{ (40 dB)}$

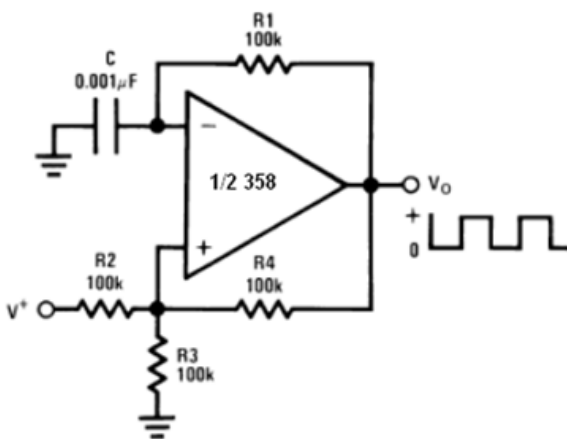
Fixed Current Sources



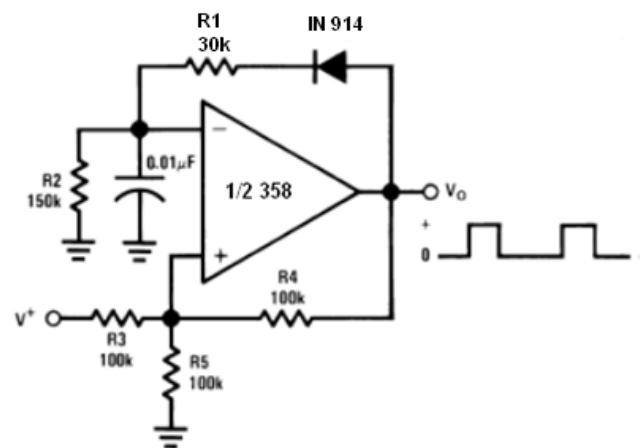
Lamp Driver



Squarewave Oscillator



Pulse Generator



PACKAGE

SOP8

UNIT: mm							
DIM.	MIN	TYP	MAX	DIM.	MIN	TYP	MAX
A	4.520	4.570	4.620	a	0.400	0.420	0.440
A1	0.100	-	0.250	b	1.260	1.270	1.280
B	4.800	4.920	5.100	Q	0°	-	8°
C	5.800	6.100	6.250				
C1	3.800	3.900	4.000				
D	0.400	-	0.950				

DIP8

UNIT: mm							
DIM.	MIN	TYP	MAX	DIM.	MIN	TYP	MAX
A	6.100	6.300	6.680	a	1.504	1.524	1.544
B	9.000	9.200	9.500	b	-	0.889	-
D	8.400	8.700	9.000	c	0.437	0.457	0.477
D1	7.42	7.62	7.82	d	2.530	2.540	2.550
E	3.100	3.300	3.550	L	0.500	-	0.700
				L1	3.000	3.200	3.600

Important statement:

Huaguan Semiconductor Co,Ltd. reserves the right to change the products and services provided without notice. Customers should obtain the latest relevant information before ordering, and verify the timeliness and accuracy of this information.

Customers are responsible for complying with safety standards and taking safety measures when using our products for system design and machine manufacturing to avoid potential risks that may result in personal injury or property damage.

Our products are not licensed for applications in life support, military, aerospace, etc., so we do not bear the consequences of the application of these products in these fields.

Our documentation is only permitted to be copied without any tampering with the content, so we do not accept any responsibility or liability for the altered documents.

X-ON Electronics

Largest Supplier of Electrical and Electronic Components

Click to view similar products for [Operational Amplifiers - Op Amps](#) category:

Click to view products by [HGSEMI](#) manufacturer:

Other Similar products are found below :

[430227FB](#) [AZV831KTR-G1](#) [UPC451G2-A](#) [UPC824G2-A](#) [LT1678IS8](#) [042225DB](#) [058184EB](#) [UPC822G2-A](#) [UPC258G2-A](#)
[NCS5651MNTXG](#) [NCV33202DMR2G](#) [NJM324E](#) [NTE925](#) [5962-9080901MCA*](#) [AP4310AUMTR-AG1](#) [HA1630D02MMEL-E](#)
[HA1630S01LPEL-E](#) [SCY33178DR2G](#) [NJU77806F3-TE1](#) [NCV5652MUTWG](#) [NCV20034DR2G](#) [LM2902EDR2G](#) [NTE778S](#) [NTE871](#)
[NTE924](#) [NTE937](#) [MCP6V16UT-E/OT](#) [MCP6V17T-E/MS](#) [MCP6V19T-E/ST](#) [SCY6358ADR2G](#) [LTC2065IUD#PBF](#) [NCS20282FCTTAG](#)
[LM4565FVT-GE2](#) [EL5420CRZ-T7A](#) [TSV791IYLT](#) [TSV772IQ2T](#) [TLV2772QPWR](#) [NJM2100M-TE1](#) [NJM4556AM-TE1](#) [AS324MTR-E1](#)
[AS358MMTR-G1](#) [MCP6232T-EMNY](#) [MCP662-E/MF](#) [TLC081AIP](#) [TLC082AIP](#) [TLE2074ACDW](#) [TLV07IDR](#) [TLV2170IDGKT](#)
[TLV2455IDR](#) [TLV2461IDR](#)