

# LM397 Single General-Purpose Voltage Comparator

## Description

The LM397 device is a single voltage comparator with an input common mode that includes ground.

The LM397 is designed to operate from a single 5-V to 30-V power supply or a split power supply. Its low supply current is virtually independent of the magnitude of the supply voltage.

The LM397 features an open-collector output stage.

This allows the connection of an external resistor at the output. The output can directly interface with TTL, CMOS and other logic levels, by tying the resistor to different voltage levels (level translator).

The LM397 is available in the space-saving 5-Pin SOT-23 package and is pin-compatible to TL331, a single differential comparator.

## Features

- $T_A = 25^\circ\text{C}$ . Typical Values Unless Otherwise Specified.
- 5-Pin SOT-23 Package
- Industrial Operating Range  $-40^\circ\text{C}$  to  $+85^\circ\text{C}$
- Single or Dual Power Supplies
- Wide Supply Voltage Range 5 V to 30 V
- Low Supply Current 300  $\mu\text{A}$
- Low Input Bias Current 7 nA
- Low Input Offset Current  $\pm 1$  nA
- Low Input Offset Voltage  $\pm 2$  mV
- Response Time 440 ns (50-mV Overdrive)
- Input Common-Mode Voltage 0 to  $V_S - 1.5$  V

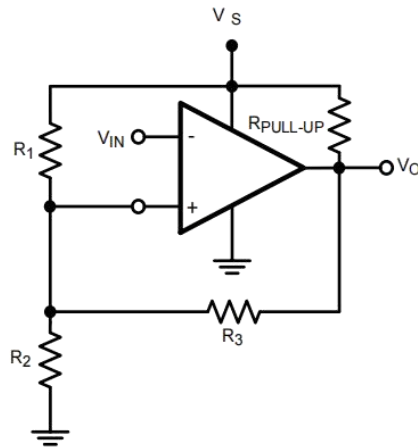
## Applications

- A/D Converters
- Pulse, Square-Wave Generators
- Peak Detector
- Industrial Applications

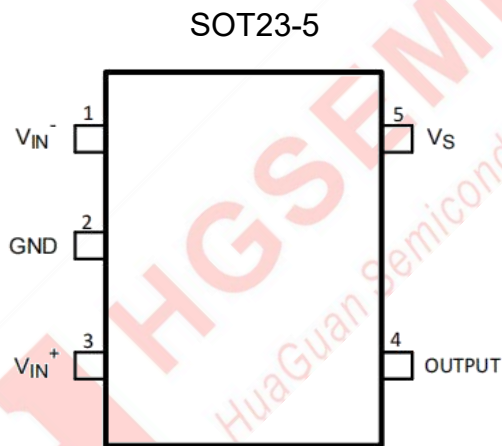
## Ordering Information

DEVICE	Package Type	MARKING	Packing	Packing Qty
LM397M5/TR	SOT23-5	C397	REEL	3000pcs/Reel

## Typical Circuit



## Pin Configuration and Functions



## Pin Functions

PIN		TYPE	DESCRIPTION
NAME	NO.		
GND	2	P	Ground
OUTPUT	4	O	Output
V <sub>IN+</sub>	3	I	Noninverting Input
V <sub>IN-</sub>	1	I	Inverting Input
V <sub>S</sub>	5	P	Supply

## Specifications

### Absolute Maximum Ratings

over operating free-air temperature range (unless otherwise noted)(1)

		MIN	MAX	UNIT
V <sub>IN</sub> differential		30	30	V
Supply voltages		±15	30	V
Voltage at input pins		-0.3	30	V
Junction temperature <sup>(2)</sup>			150	°C
Soldering information	Infrared or Convection (20 sec.)		235	°C
	Wave Soldering (10 sec.)		260	°C
Storage Temperature, T <sub>stg</sub>		-65	150	°C

- Stresses beyond those listed under Absolute Maximum Ratings may cause permanent damage to the device. These are stress ratings only, which do not imply functional operation of the device at these or any other conditions beyond those indicated under Recommended Operating Conditions. Exposure to absolute-maximum-rated conditions for extended periods may affect device reliability.
- The maximum power dissipation is a function of T<sub>J(MAX)</sub>, R<sub>θJA</sub>. The maximum allowable power dissipation at any ambient temperature is  $P_D = (T_{J(MAX)} - T_A) / R_{\theta JA}$ . All numbers apply for packages soldered directly onto a PCB.

### ESD Ratings

			VALUE	UNIT
V <sub>(ESD)</sub>	Electrostatic discharge	Human body model (HBM), per ANSI/ESDA/JEDEC JS-001 <sup>(1)(2)</sup>	±2000	V
		Machine Model <sup>(1)(2)</sup>	±200	

- JEDEC document JEP155 states that 500-V HBM allows safe manufacturing with a standard ESD control process.
- Human Body Model, applicable std. MIL-STD-883, Method 3015.7. Machine Model, applicable std. JESD22-A115-A (ESD MM std. of JEDEC) Field-Induced Charge-Device Model, applicable std. JESD22-C101-C (ESD FICDM std. of JEDEC).

### Recommended Operating Conditions

	MIN	MAX	UNIT
Supply voltage, V <sub>s</sub>	5	30	V
Temperature <sup>(1)</sup>	-40	85	°C

- The maximum power dissipation is a function of T<sub>J(MAX)</sub>, R<sub>θJA</sub>. The maximum allowable power dissipation at any ambient temperature is  $P_D = (T_{J(MAX)} - T_A) / R_{\theta JA}$ . All numbers apply for packages soldered directly onto a PCB.

### Thermal Information

THERMAL METRIC(1)		LM397	UNIT
		DBV (SOT-23)	
		5 PINS	
R <sub>θJA</sub>	Junction-to-ambient thermal resistance(2)	186	°C/W
R <sub>θJC(top)</sub>	Junction-to-case (top) thermal resistance	92.8	°C/W
R <sub>θJB</sub>	Junction-to-board thermal resistance	38.9	°C/W
ψ <sub>JT</sub>	Junction-to-top characterization parameter	5.6	°C/W

$\psi_{JB}$ Junction-to-board characterization parameter	38.4	°C/W
--	------	------

- For more information about traditional and new thermal metrics, see the Semiconductor and IC Package Thermal Metrics application report, SPRA953.
- The maximum power dissipation is a function of  $T_J(\text{MAX})$ ,  $R_{\theta JA}$ . The maximum allowable power dissipation at any ambient temperature is  $PD = (T_J(\text{MAX}) - T_A) / R_{\theta JA}$ . All numbers apply for packages soldered directly onto a PCB.

## Electrical Characteristics

Unless otherwise specified, all limits are ensured for  $T_A = 25^\circ\text{C}$ ,  $V_S = 5\text{ V}$ ,  $V_- = 0\text{ V}$ ,  $V_{CM} = V_+/2 = V_O$ .

PARAMETER		TEST CONDITIONS		MIN(1)	TYP(2)	MAX(1)	UNIT
$V_{OS}$	Input offset voltage	$V_S = 5\text{ V to } 30\text{ V}$ , $V_O = 1.4\text{ V}$ , $V_{CM} = 0\text{ V}$	$T_A = 25^\circ\text{C}$	2	7		mV
			At the temperature extremes			10	
$I_{OS}$	Input offset current	$V_O = 1.4\text{ V}$ , $V_{CM} = 0\text{ V}$	$T_A = 25^\circ\text{C}$	1.6	50		nA
			At the temperature extremes			250	
$I_B$	Input bias current	$V_O = 1.4\text{ V}$ , $V_{CM} = 0\text{ V}$	$T_A = 25^\circ\text{C}$	10	250		nA
			At the temperature extremes			400	
$I_S$	Supply current	$R_L = \text{open}$ , $V_S = 5\text{ V}$		0.25	0.7		mA
		$R_L = \text{open}$ , $V_S = 30\text{ V}$		0.3	2		
$I_O$	Output sink current	$V_{IN}^+ = 1\text{ V}$ , $V_{IN}^- = 0\text{ V}$ , $V_O = 1.5\text{ V}$		6	13		mA
$I_{LEAKAGE}$	Output leakage current	$V_{IN}^+ = 1\text{ V}$ , $V_{IN}^- = 0\text{ V}$ , $V_O = 5\text{ V}$			0.1		nA
		$V_{IN}^+ = 1\text{ V}$ , $V_{IN}^- = 0\text{ V}$ , $V_O = 30\text{ V}$			1		$\mu\text{A}$
$V_{OL}$	Output voltage low	$I_O = -4\text{ mA}$ , $V_{IN}^+ = 0\text{ V}$ , $V_{IN}^- = 1\text{ V}$	$T_A = 25^\circ\text{C}$	180	400		mV
			At the temperature extremes			700	
$V_{CM}$	Common-mode input voltage range	$V_S = 5\text{ V to } 30\text{ V}(3)$	$T_A = 25^\circ\text{C}$	0	$V_S - 1.5$		V
			At the temperature extremes	0	$V_S - 2$		
$A_V$	Voltage gain	$V_S = 15\text{ V}$ , $V_O = 1.4\text{ V to } 11.4\text{ V}$ , $R_L \geq 15\text{ k}\Omega$ connected to $V_S$		120			V/mV
$t_{PHL}$	Propagation delay (high to low)	$R_L = 5.1\text{ k}\Omega$ connected to $5\text{ V}$ , $C_L = 15\text{ pF}$	Input overdrive = $5\text{ mV}$	900			ns
			Input overdrive = $50\text{ mV}$	250			
$t_{PLH}$	Propagation delay (low to high)	$R_L = 5.1\text{ k}\Omega$ connected to $5\text{ V}$ , $C_L = 15\text{ pF}$	Input Overdrive = $5\text{ mV}$	940			$\mu\text{s}$
			Input overdrive = $50\text{ mV}$	440			ns

- All limits are specified by testing or statistical analysis.
- Typical values represent the most likely parametric norm as determined at the time of characterization. Actual typical values may vary over time and will also depend on the application and configuration. The typical values are not tested and are not specified on shipped production material.
- The input common-mode voltage of either input should not be permitted to go below the negative rail by more than  $0.3\text{ V}$ . The upper end of the common-mode voltage range is  $V_S - 1.5\text{ V}$  at  $25^\circ\text{C}$ .

## Typical Characteristics

T<sub>A</sub> = 25°C. Unless otherwise specified.

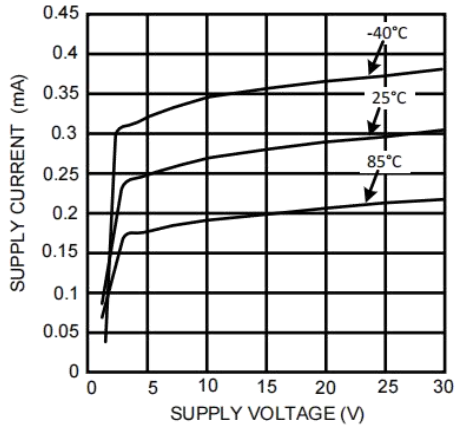


Figure 1. Supply Current vs Supply Voltage

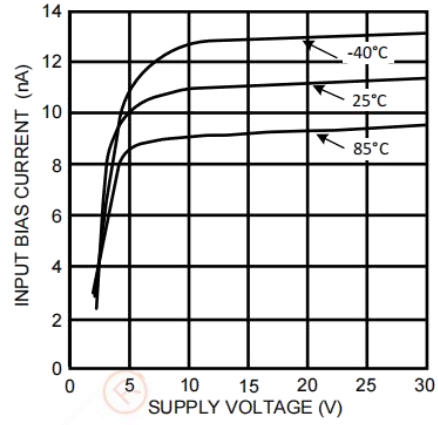


Figure 2. Input Bias Current vs Supply Current

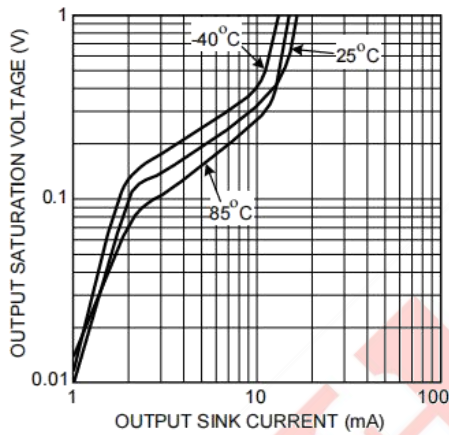


Figure 3. Output Saturation Voltage vs Output Sink Current

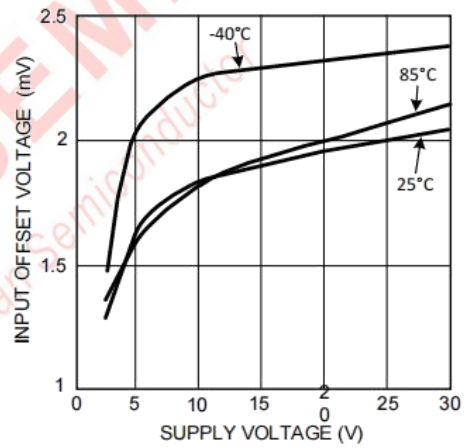


Figure 4. Input Offset Voltage vs Supply Voltage

## Detailed Description

### Overview

A comparator is often used to convert an analog signal to a digital signal. The comparator compares an input voltage ( $V_{IN}$ ) at the noninverting pin to the reference voltage ( $V_{REF}$ ) at the inverting pin. If  $V_{IN}$  is less than  $V_{REF}$  the output ( $V_O$ ) is low ( $V_{OL}$ ). However, if  $V_{IN}$  is greater than  $V_{REF}$ , the output voltage ( $V_O$ ) is high ( $V_{OH}$ ). Refer to Figure 6.

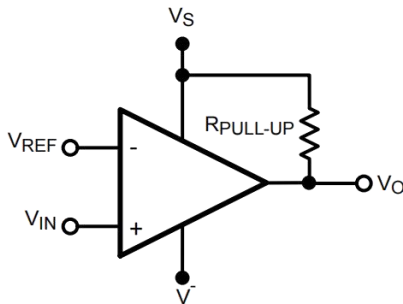


Figure 5. Basic Comparator

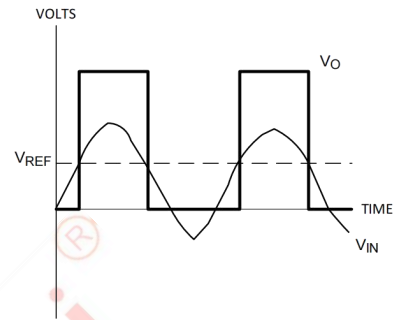
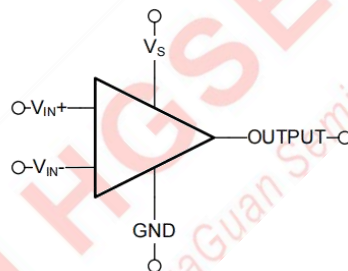


Figure 6. Basic Comparator Output

### Functional Block Diagram



## Feature Description

### Input Stage

The LM397 has a bipolar input stage. The input common-mode voltage range is from 0 to ( $V_s - 1.5\text{ V}$ ).

### Output Stage

The LM397 has an open-collector grounded-emitter NPN output transistor for the output stage. This requires an external pullup resistor connected between the positive supply voltage and the output. The external pullup resistor should be high enough resistance so to avoid excessive power dissipation. In addition, the pullup resistor should be low enough resistance to enable the comparator to switch with the load circuitry connected. Because it is an open-collector output stage, several comparator outputs can be connected together to create an OR'ing function output. With an open collector, the output can be used as a simple SPST switch to ground. The amount of current which the output can sink is approximately 10 mA. When the maximum current limit is reached, the output transistor will saturate and the output will rise rapidly (Figure 7)

## Feature Description (continued)

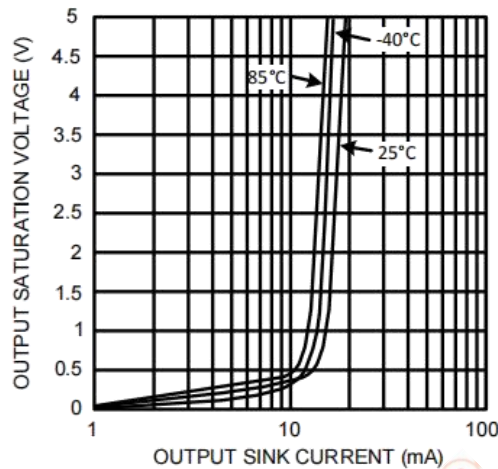


Figure 7. Output Saturation Voltage vs Output Sink Current

## Device Functional Modes

### Hysteresis

The basic comparator configuration may oscillate or produce a noisy output if the applied differential input is near the input offset voltage of the comparator. This tends to occur when the voltage on the input is equal or very close to the other input voltage. Adding hysteresis can prevent this problem. Hysteresis creates two switching thresholds (one for the rising input voltage and the other for the falling input voltage). Hysteresis is the voltage difference between the two switching thresholds. When both inputs are nearly equal, hysteresis causes one input to effectively move quickly pass the other. Thus, effectively moving the input out of region that oscillation may occur.

For an inverting configured comparator, hysteresis can be added with a three resistor network and positive feedback. When input voltage ( $V_{IN}$ ) at the inverting node is less than non-inverting node ( $V_T$ ), the output is high. The equivalent circuit for the three resistor network is  $R_1$  in parallel with  $R_3$  and in series with  $R_2$ . The lower threshold voltage  $V_{T1}$  is calculated by Equation 1:

$$V_{T1} = (V_S R_2) / ((R_1 R_3) / (R_1 + R_3) + R_2) \quad (1)$$

When  $V_{IN}$  is greater than  $V_T$ , the output voltage is low. The equivalent circuit for the three resistor network is  $R_2$  in parallel with  $R_3$  and in series with  $R_1$ . The upper threshold voltage  $V_{T2}$  is calculated by Equation 2:

$$V_{T2} = V_S ((R_2 R_3) / (R_2 + R_3)) / (R_1 + ((R_2 R_3) / (R_2 + R_3))) \quad (2)$$

The hysteresis is defined in Equation 3:

$$\Delta V_{IN} = V_{T1} - V_{T2} \quad (3)$$

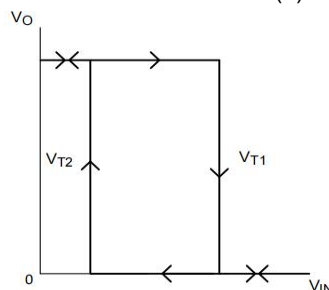


Figure 8. Inverting Configured Comparator - LM397

## Application Information

LM397 will typically be used to compare a single signal to a reference or two signals against each other.

### Typical Application

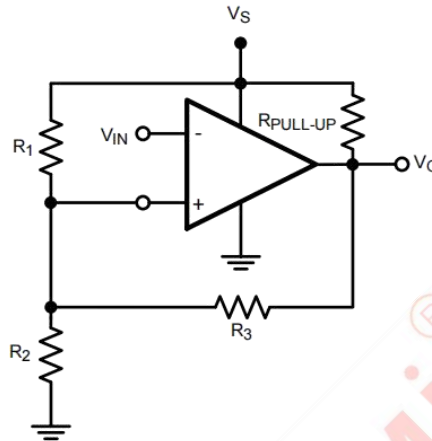


Figure 9. Inverting Comparator With Hysteresis

## Design Requirements

For this design example, use the parameters listed in Table 1 as the input parameters.

Table 1. Design Parameters

DESIGN PARAMETER	EXAMPLE VALUE
Input voltage range	0 V to $V_S - 1.5$ V
Supply voltage	5 V to 30 V
Logic supply voltage ( $R_{PULLUP}$ voltage)	5 V to 30 V
Output current ( $V_{LOGIC}/R_{PULLUP}$ )	1 $\mu$ A to 20 mA
Input overdrive voltage	100 mV
Reference voltage	5.5 V

### Detailed Design Procedure

When using TL331 in a general comparator application, determine the following:

- Input voltage range
- Minimum overdrive voltage
- Output and drive current



## Input Voltage Range

When choosing the input voltage range, the input common mode voltage range (VCM) must be taken in to account. If temperature operation is above or below 25°C the VCM can range from 0 V to  $V_S - 1.5$  V. This limits the input voltage range to as high as  $V_S - 1.5$  V and as low as 0 V. Operation outside of this range can yield incorrect comparisons.

Below is a list of input voltage situation and their outcomes:

1. When both  $IN^-$  and  $IN^+$  are both within the common mode range:
  - (a) If  $IN^-$  is higher than  $IN^+$  and the offset voltage, the output is low and the output transistor is sinking current
  - (b) If  $IN^-$  is lower than  $IN^+$  and the offset voltage, the output is high impedance and the output transistor is not conducting
2. When  $IN^-$  is higher than common mode and  $IN^+$  is within common mode, the output is low and the output transistor is sinking current
3. When  $IN^+$  is higher than common mode and  $IN^-$  is within common mode, the output is high impedance and the output transistor is not conducting
4. When  $IN^-$  and  $IN^+$  are both higher than common mode, the output is low and the output transistor is sinking current

## Minimum Overdrive Voltage

Overdrive Voltage is the differential voltage produced between the positive and negative inputs of the comparator over the offset voltage. To make an accurate comparison; the overdrive voltage should be higher than the input offset voltage. Overdrive voltage can also determine the response time of the comparator, with the response time decreasing with increasing overdrive.

## Output and Drive Current

Output current is determined by the pullup resistance ( $R_{PULLUP}$ ) and  $V_S$  voltage. The output current will produce a output low voltage ( $V_{OL}$ ) from the comparator. In which  $V_{OL}$  is proportional to the output current. Use [Figure 3](#) to determine  $V_{OL}$  based on the output current. The output current can also effect the transient response.

## Application Curves

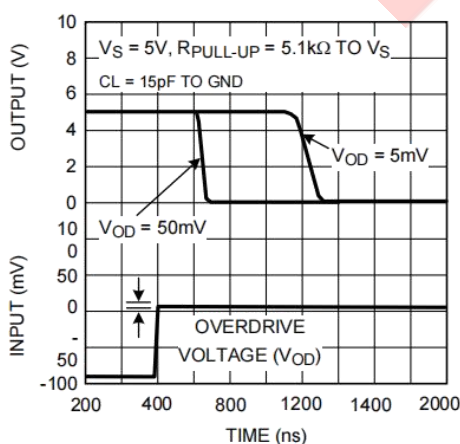


Figure 10. Response Time for Various Input Overdrives-tPHL

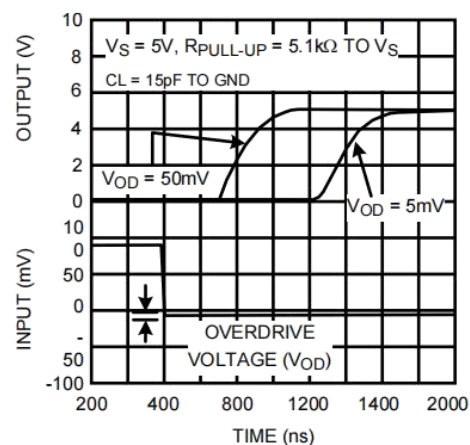
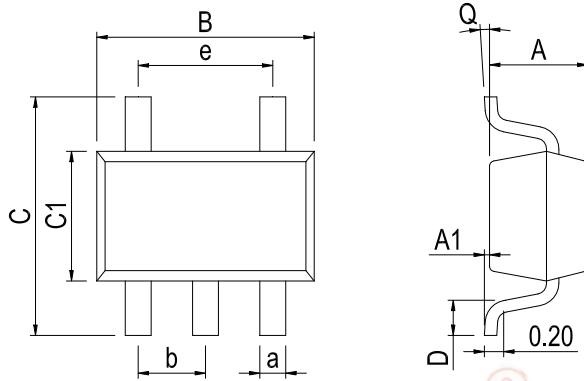


Figure 11. Response Time for Various Input Overdrives-tPLH

**Physical Dimensions**

SOT23-5



Dimensions In Millimeters(SOT23-5)										
Symbol:	A	A1	B	C	C1	D	Q	a	b	e
Min:	1.05	0.00	2.82	2.65	1.50	0.30	0°	0.30	0.95 BSC	1.90 BSC
Max:	1.15	0.15	3.02	2.95	1.70	0.60	8°	0.40		

**IMPORTANT STATEMENT:**

Huaguan Semiconductor Co,Ltd. reserves the right to change the products and services provided without notice. Customers should obtain the latest relevant information before ordering, and verify the timeliness and accuracy of this information.

Customers are responsible for complying with safety standards and taking safety measures when using our products for system design and machine manufacturing to avoid potential risks that may result in personal injury or property damage.

Our products are not licensed for applications in life support, military, aerospace, etc., so we do not bear the onsequences of the application of these products in these fields.

Huaguan Semiconductor Co,Ltd. the performance of the semiconductor products produced by the company can reach the performance indicators that can be applied at the time of sales. The use of testing and other quality control technologies is limited to the quality assurance scope of Huaguan semiconductor. Not all parameters of each device need to be tested. The above documents are for reference only, and all are subject to the physical parameters.

Our documentation is only permitted to be copied without any tampering with the content, so we do not accept any responsibility or liability for the altered documents.

## X-ON Electronics

Largest Supplier of Electrical and Electronic Components

*Click to view similar products for [Analog Comparators](#) category:*

*Click to view products by [HGSEMI](#) manufacturer:*

Other Similar products are found below :

[SC2903VDR2G](#) [LM2901SNG](#) [LM339SNG](#) [UPC271G2-A](#) [UPC272G2-A](#) [NTE911](#) [LM339EDR2G](#) [NTE922](#) [LM2903F-E2](#) [GS331-TR](#)  
[LM397M5/TR](#) [LM2903MM/TR](#) [LM393MM/TR](#) [LM339DR](#) [LM2901DR](#) [LM139DR](#) [LM239DR](#) [AIP2903SA.TR](#) [LM393XK](#) [LM393](#)  
[LM2901MT/TR](#) [TL331IDBVR-TP](#) [AIP393SA8.TR](#) [LM339MT/TR](#) [GSV331R-CR](#) [AIP339SA14.TR](#) [RS8912XH](#) [GS8742-SR](#) [GS8011-TR](#)  
[GS8746U-TR](#) [NJU7116F-TE1](#) [HT7239ARTZ](#) [HT3201ARTZ](#) [LM331S5](#) [GS8741-TR](#) [HT6541ARTZ](#) [GSV332-MR](#) [GS8706-TR](#) [GSV331-TR](#)  
[GS8740-TR](#) [MCP6544-EP](#) [MCP6541UT-I/LT](#) [MCP6542T-E/MS](#) [BA2903FVM-TR](#) [TS882IQ2T](#) [LM2901EDR2G](#) [LM2903SNG](#)  
[TS391SN2T1G](#) [JM38510/11201BDA](#) [LM111JG](#)