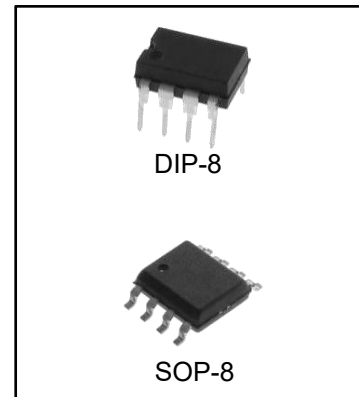


## LM567/LM567C Tone Decoder

### FEATURES

- 20 to 1 Frequency Range with an External Resistor
- Logic Compatible Output with 100 mA Current Sinking Capability
- Bandwidth Adjustable from 0 to 14%
- High Rejection of Out of Band Signals and Noise
- Immunity to False Signals
- Highly Stable Center Frequency
- Center Frequency Adjustable from 0.01 Hz to 500 kHz



### ORDERING INFORMATION

DEVICE	Package Type	MARKING	Packing	Packing Qty
LM567N	DIP-8	LM567	TUBE	2000pcs/Box
LM567CN	DIP-8	LM567C	TUBE	2000pcs/Box
LM567M/TR	SOP-8	LM567	REEL	2500pcs/Reel
LM567CM/TR	SOP-8	LM567C	REEL	2500pcs/Reel

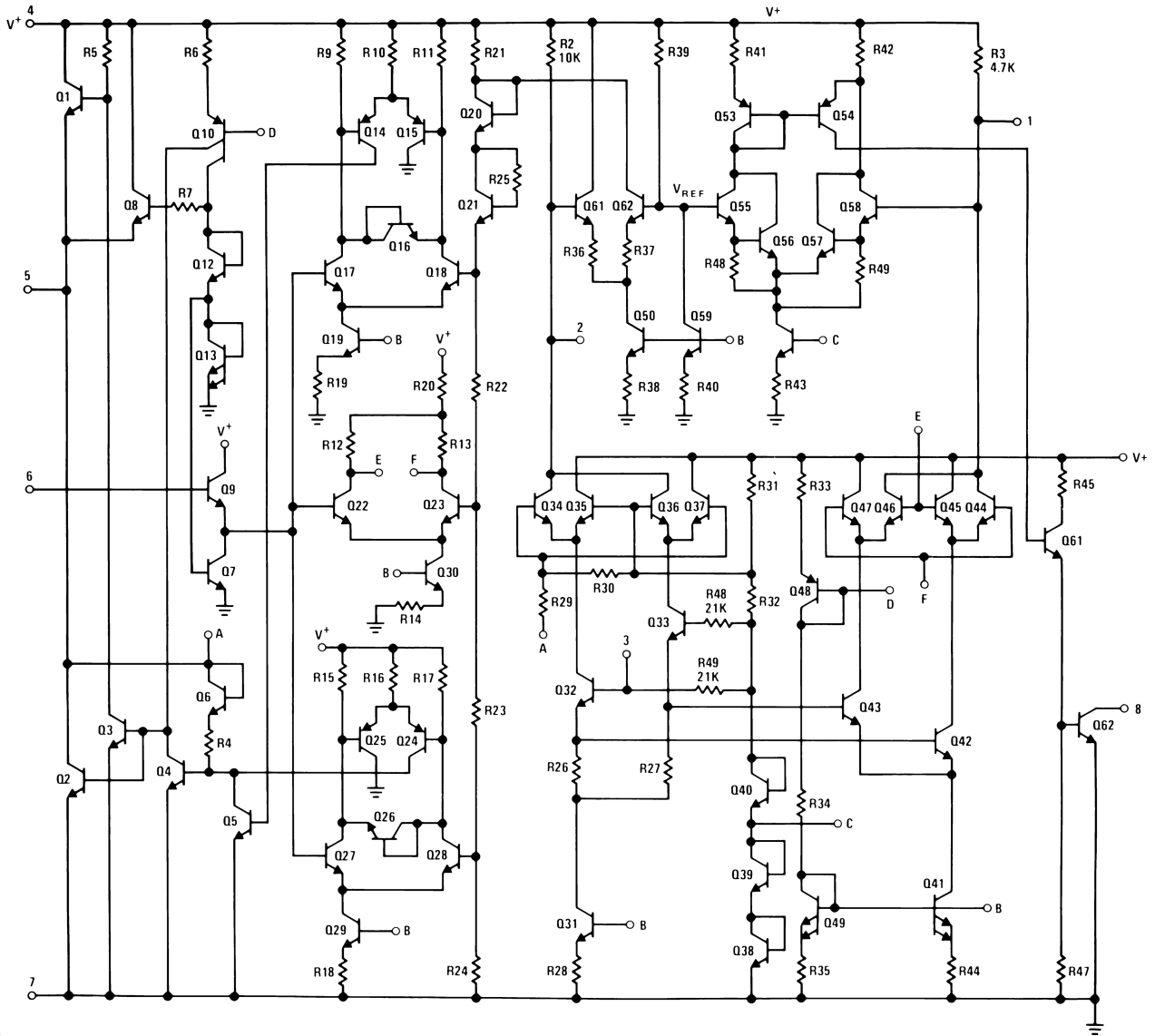


**ELECTRICAL CHARACTERISTICS**

 AC Test Circuit,  $T_A = 25^\circ\text{C}$ ,  $V_+ = 5\text{V}$ 

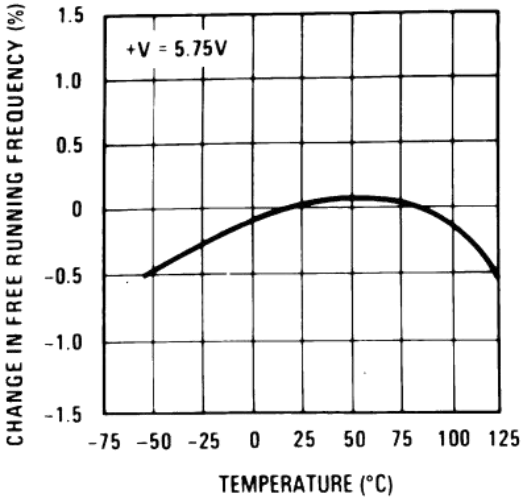
Parameters	Conditions	LM567			LM567C			Units
		Min	Typ	Max	Min	Typ	Max	
Power Supply Voltage Range		4.75	5.0	9.0	4.75	5.0	9.0	V
Power Supply Current Quiescent	$R_L = 20\text{k}$		6	8		7	10	mA
Power Supply Current Activated	$R_L = 20\text{k}$		11	13		12	15	mA
Input Resistance		18	20		15	20		$\text{k}\Omega$
Smallest Detectable Input Voltage	$I_L = 100\text{ mA}, f_i = f_o$		20	25		20	25	mVrms
Largest No Output Input Voltage	$I_C = 100\text{ mA}, f_i = f_o$	10	15		10	15		mVrms
Largest Simultaneous Outband Signal to Inband Signal Ratio			6			6		dB
Minimum Input Signal to Wideband Noise Ratio	$B_n = 140\text{ kHz}$		-6			-6		dB
Largest Detection Bandwidth		12	14	16	10	14	18	% of $f_o$
Largest Detection Bandwidth Skew			1	2		2	3	% of $f_o$
Largest Detection Bandwidth Variation with Temperature			$\pm 0.1$			$\pm 0.1$		%/ $^\circ\text{C}$
Largest Detection Bandwidth Variation with Supply Voltage	4.75–6.75V		$\pm 1$	$\pm 2$		$\pm 1$	$\pm 5$	%V
Highest Center Frequency		100	500		100	500		kHz
Center Frequency Stability (4.75–5.75V)	$0 < T_A < 70$ $-55 < T_A < +125$		$35 \pm 60$ $35 \pm 140$			$35 \pm 60$ $35 \pm 140$		ppm/ $^\circ\text{C}$ ppm/ $^\circ\text{C}$
Center Frequency Shift with Supply Voltage	4.75V–6.75V 4.75V–9V		0.5	1.0 2.0		0.4	2.0 2.0	%/V %/V
Fastest ON-OFF Cycling Rate			$f_o/20$			$f_o/20$		
Output Leakage Current	$V_B = 15\text{V}$		0.01	25		0.01	25	$\mu\text{A}$
Output Saturation Voltage	$e_i = 25\text{ mV}, I_B = 30\text{ mA}$ $e_i = 25\text{ mV}, I_B = 100\text{ mA}$		0.2 0.6	0.4 1.0		0.2 0.6	0.4 1.0	V
Output Fall Time			30			30		ns
Output Rise Time			150			150		ns

**SCHEMATIC DIAGRAM**

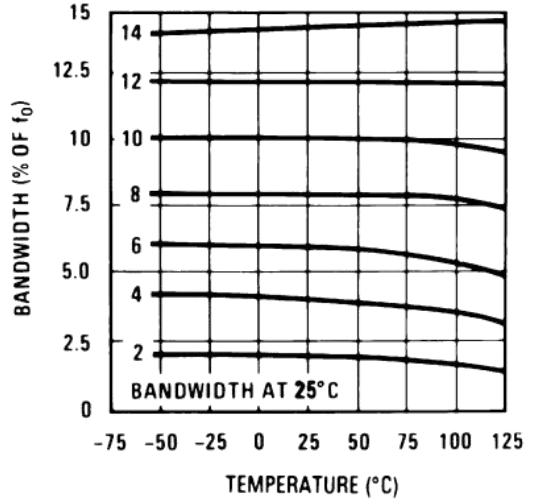


**TYPICAL PERFORMANCE CHARACTERISTICS**

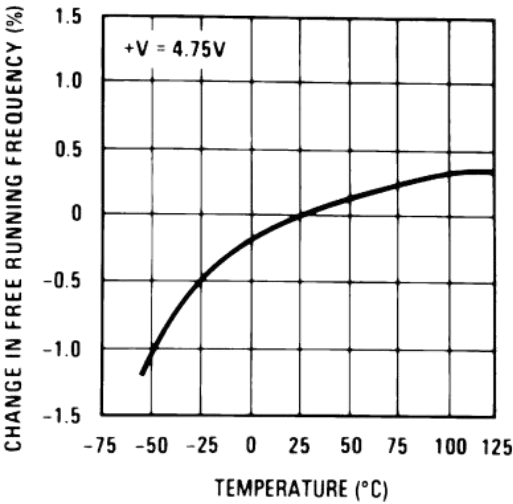
Typical Frequency Drift



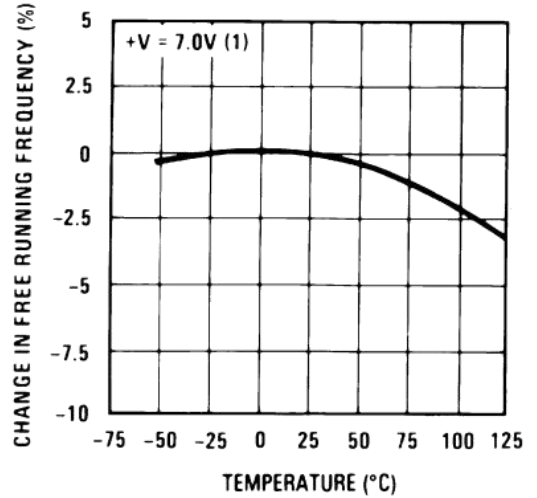
Typical Bandwidth Variation



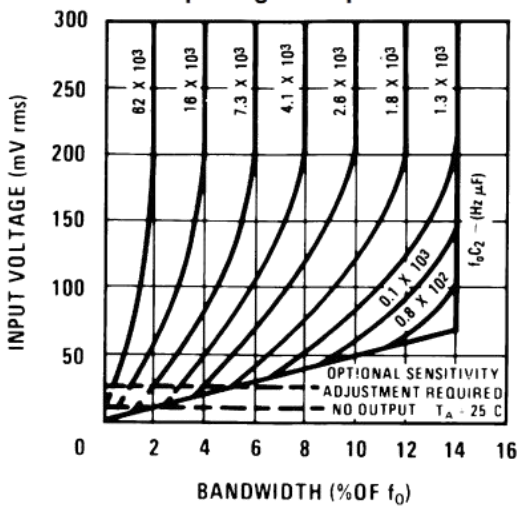
Typical Frequency Drift



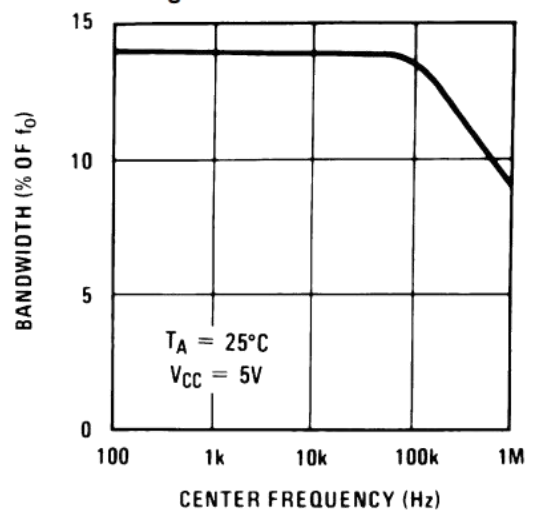
Typical Frequency Drift



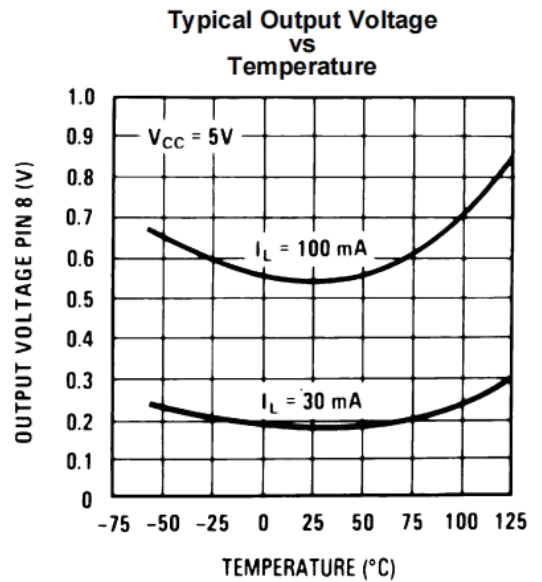
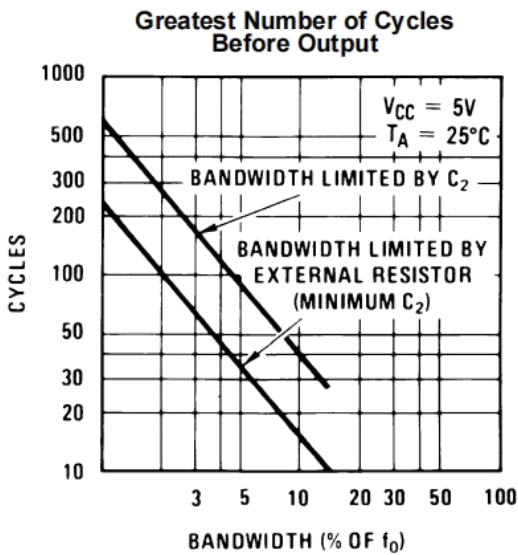
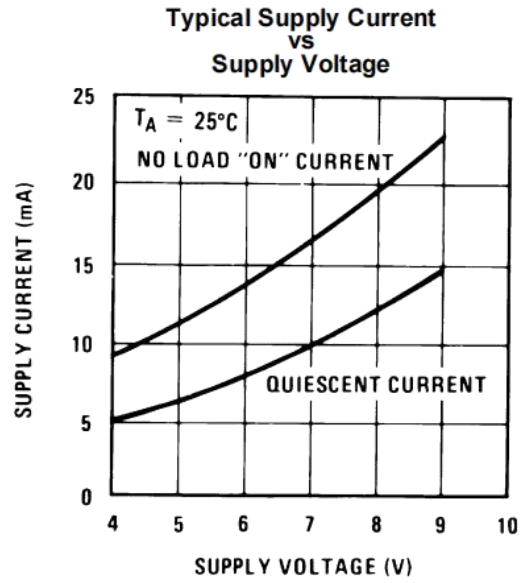
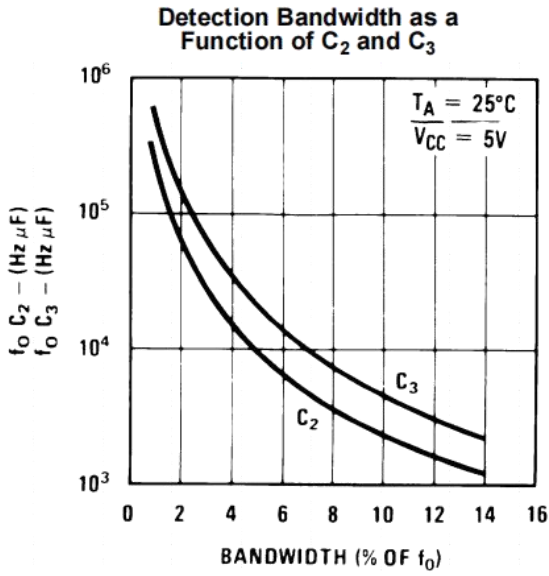
Bandwidth vs Input Signal Amplitude



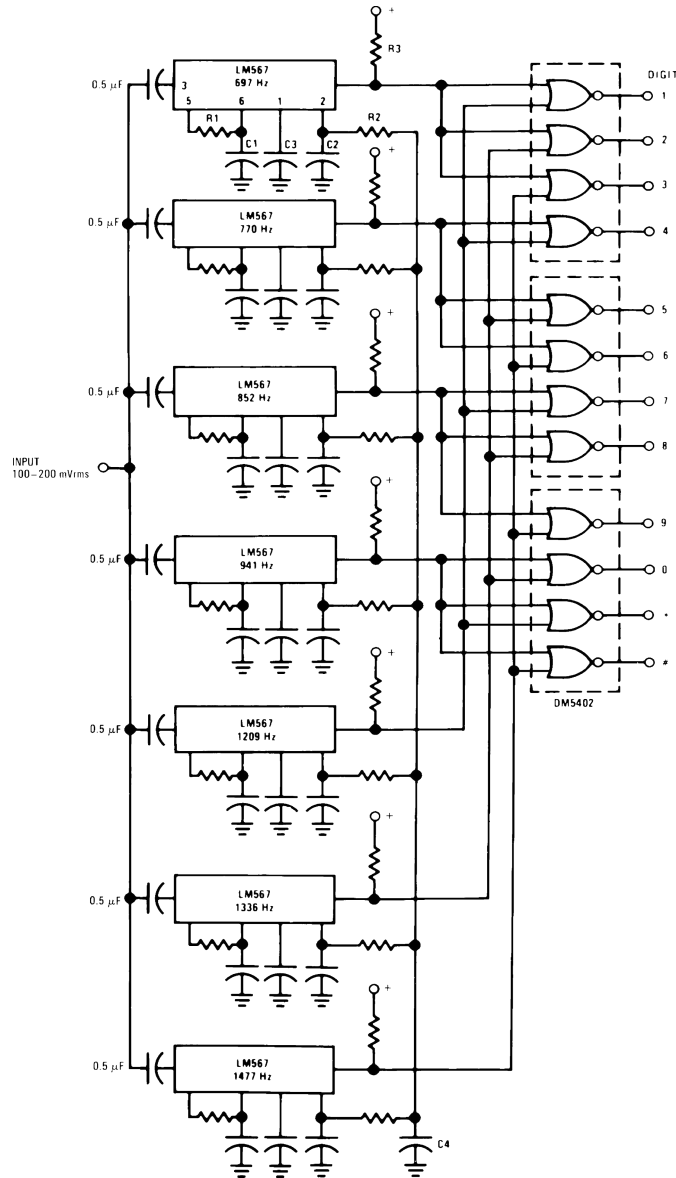
Largest Detection Bandwidth



**TYPICAL PERFORMANCE CHARACTERISTICS (continued)**



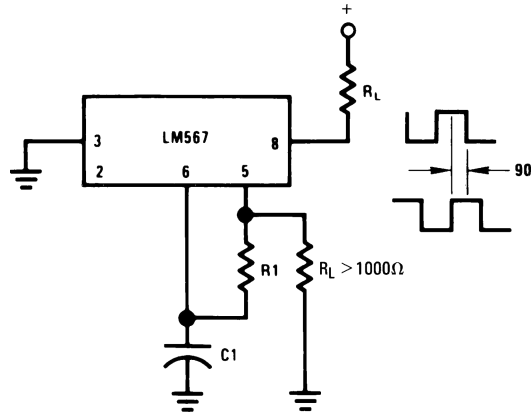
TYPICAL APPLICATIONS



Component values (typ)

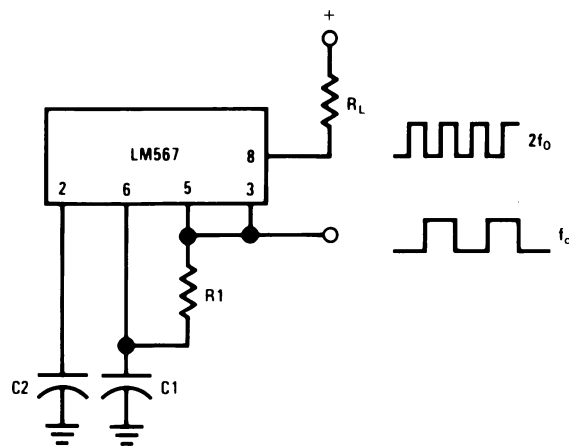
- R1 6.8 to 15k
- R2 4.7k
- R3 20k
- C1 0.10 mfd
- C2 1.0 mfd 6V
- C3 2.2 mfd 6V
- C4 250 mfd 6V

Touch-Tone Decoder

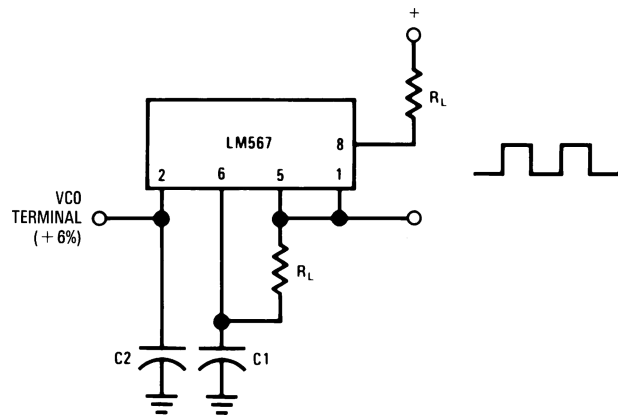


Connect Pin 3 to 2.8V to Invert Output

**Oscillator with Quadrature Output**

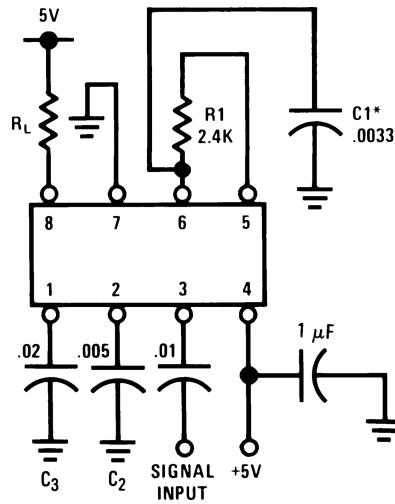


**Oscillator with Double Frequency Output**



**Precision Oscillator Drive 100 mA Loads**



**AC TEST CIRCUIT**


$f_i = 100 \text{ kHz} + 5V$

\*Note: Adjust for  $f_o = 100 \text{ kHz}$ .

**APPLICATIONS INFORMATION**

The center frequency of the tone decoder is equal to the free running frequency of the VCO. This is given by

$$f_o \cong \frac{1}{1.1 R_1 C_1}$$

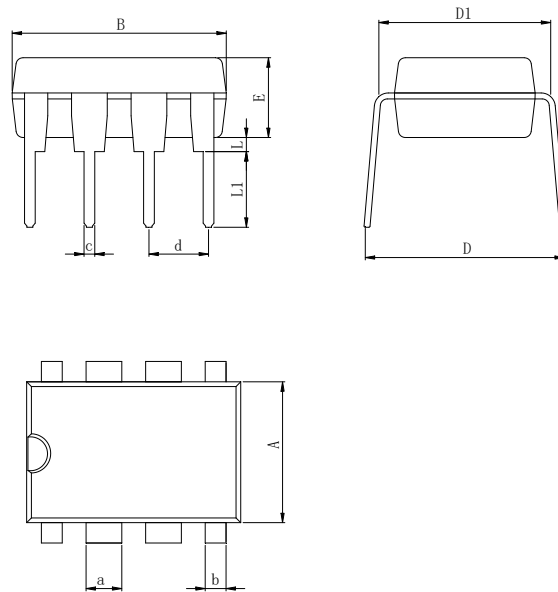
The bandwidth of the filter may be found from the approximation

$$BW = 1070 \sqrt{\frac{V_i}{f_o C_2}} \text{ in \% of } f_o$$

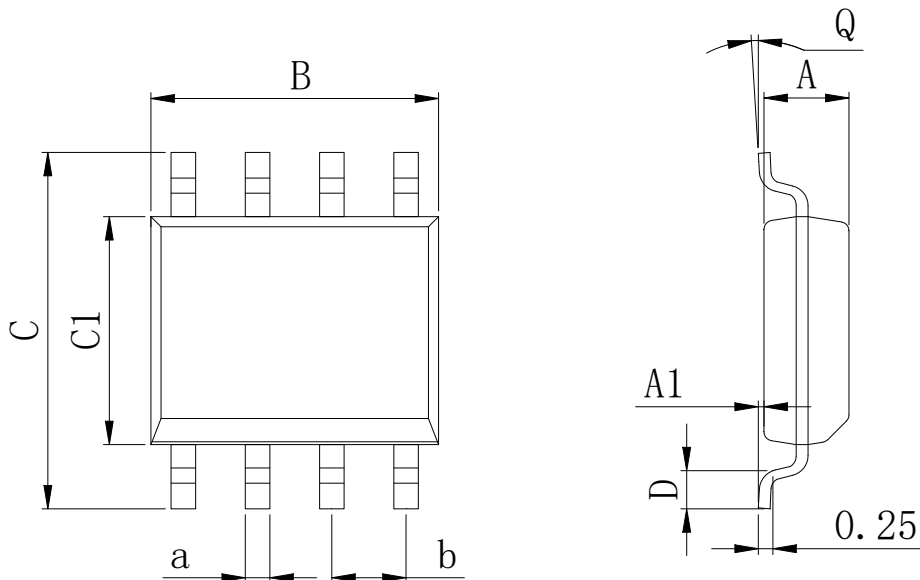
where

$V_i$  = Input voltage (volts rms),  $V_i \leq 200\text{mV}$

$C_2$  = Capacitance at Pin 2( $\mu\text{F}$ )

**PHYSICAL DIMENSIONS**
**DIP-8**

**Dimensions In Millimeters(DIP-8)**

Symbol:	A	B	D	D1	E	L	L1	a	b	c	d
Min:	6.10	9.00	8.10	7.42	3.10	0.50	3.00	1.50	0.85	0.40	2.54 BSC
Max:	6.68	9.50	10.9	7.82	3.55	0.70	3.60	1.55	0.90	0.50	

**SOP-8**

**Dimensions In Millimeters(SOP-8)**

Symbol:	A	A1	B	C	C1	D	Q	a	b
Min:	1.35	0.05	4.90	5.80	3.80	0.40	0°	0.35	1.27 BSC
Max:	1.55	0.20	5.10	6.20	4.00	0.80	8°	0.45	

## REVISION HISTORY

DATE	REVISION	PAGE
2018-6-2	New	1-12
2023-8-29	Update encapsulation type、Update Lead Temperature、Updated DIP-8 dimension	1、2、10

**IMPORTANT STATEMENT:**

Huaguan Semiconductor reserves the right to change its products and services without notice. Before ordering, the customer shall obtain the latest relevant information and verify whether the information is up to date and complete. Huaguan Semiconductor does not assume any responsibility or obligation for the altered documents.

Customers are responsible for complying with safety standards and taking safety measures when using Huaguan Semiconductor products for system design and machine manufacturing. You will bear all the following responsibilities: Select the appropriate Huaguan Semiconductor products for your application; Design, validate and test your application; Ensure that your application meets the appropriate standards and any other safety, security or other requirements. To avoid the occurrence of potential risks that may lead to personal injury or property loss.

Huaguan Semiconductor products have not been approved for applications in life support, military, aerospace and other fields, and Huaguan Semiconductor will not bear the consequences caused by the application of products in these fields. All problems, responsibilities and losses arising from the user's use beyond the applicable area of the product shall be borne by the user and have nothing to do with Huaguan Semiconductor, and the user shall not claim any compensation liability against Huaguan Semiconductor by the terms of this Agreement.

The technical and reliability data (including data sheets), design resources (including reference designs), application or other design suggestions, network tools, safety information and other resources provided for the performance of semiconductor products produced by Huaguan Semiconductor are not guaranteed to be free from defects and no warranty, express or implied, is made. The use of testing and other quality control technologies is limited to the quality assurance scope of Huaguan Semiconductor. Not all parameters of each device need to be tested.

The documentation of Huaguan Semiconductor authorizes you to use these resources only for developing the application of the product described in this document. You have no right to use any other Huaguan Semiconductor intellectual property rights or any third party intellectual property rights. It is strictly forbidden to make other copies or displays of these resources. You should fully compensate Huaguan Semiconductor and its agents for any claims, damages, costs, losses and debts caused by the use of these resources. Huaguan Semiconductor accepts no liability for any loss or damage caused by infringement.

## X-ON Electronics

Largest Supplier of Electrical and Electronic Components

*Click to view similar products for [Interface - CODECs](#) category:*

*Click to view products by [HGSEMI](#) manufacturer:*

Other Similar products are found below :

[CS4205-KQZ](#) [WM8944BECS/R](#) [TSCS42A2X1NLGIZAX](#) [RKP9000](#) [LM567CN](#) [HT8988ARQZ](#) [NAU8810YG](#) [TDA7293V-E](#) [STA529Q](#)  
[TLV320AIC14IDBT](#) [MAX9880AETM+](#) [MAX98089ETN+](#) [TLV320AIC3262IYZFR](#) [SGTL5000XNLA3R2](#) [MAX98090AETL+](#)  
[MAX98089ETN+T](#) [DA7212-01UM2](#) [WM8904CGEFL/RV](#) [6PAIC3106IRGZRQ1](#) [ISD17120PY](#) [6PAIC3109TRHBRQ1](#) [HT34118ANZ](#)  
[AD1939WBSTZ](#) [ADAU1761BCPZ](#) [ADAU1961WBCPZ-R7](#) [AD74111YRUZ](#) [AD1938WBSTZ](#) [STAC9200X5TAEB1XR](#)  
[WM8904CGEFL/V](#) [WM8994ECS/R](#) [CS42416-CQZ](#) [CS42426-CQZ](#) [CS42432-CMZ](#) [CS42432-DMZ](#) [CS42438-CMZ](#) [CS4245-CQZ](#)  
[CS42526-CQZ](#) [CS42528-CQZ](#) [CS4265-CNZ](#) [CS4270-CZZ](#) [CS4270-CZZR](#) [CS4271-CZZ](#) [CS4271-DZZ](#) [CS4272-CZZ](#) [CS42L52-CNZ](#)  
[WM8770SIFTV](#) [WM8776SEFTV](#) [CS47L35-CWZR](#) [DA7217-00U32](#) [DA7218-00U32](#)