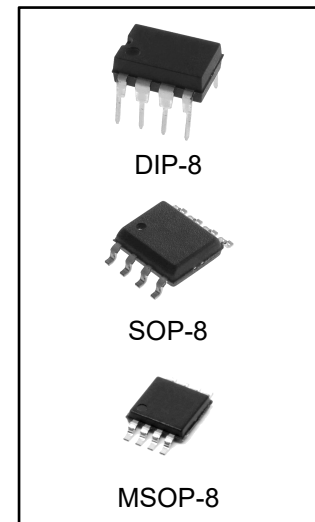


## LM741 Operational Amplifier

### General Description

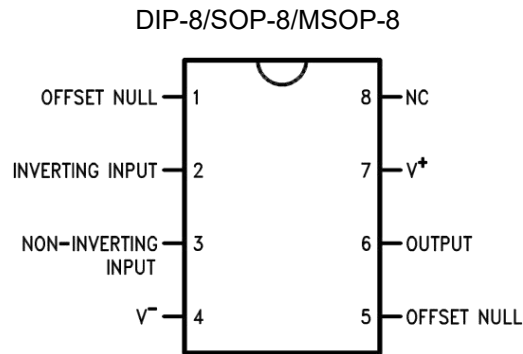
The LM741 series are general purpose operational amplifiers which feature improved performance over industry standards like the LM709. They are a direct, plug-in replacement for the 709C, LM201, MC1439 and 748 in most applications. The amplifiers offer many features which make their application nearly foolproof: overload protection on the input and output, no latch-up when the common mode range is exceeded, as well as freedom from oscillations.



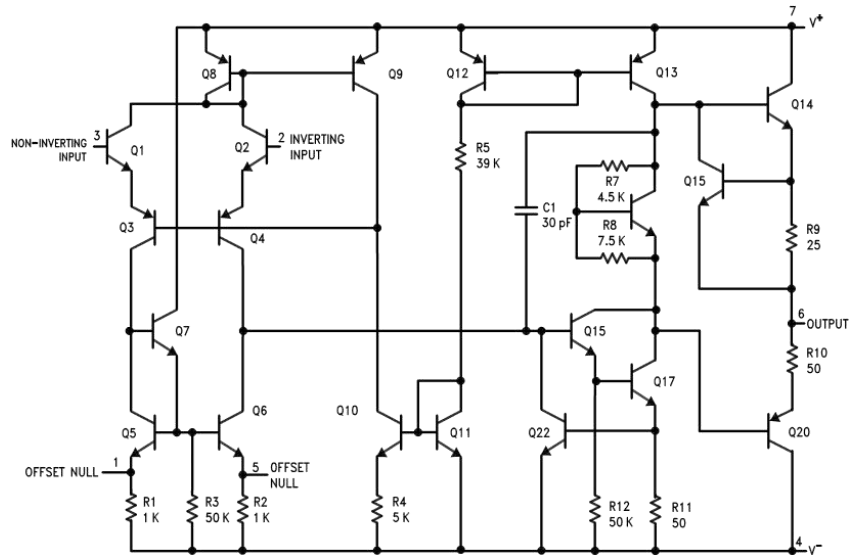
### Ordering Information

DEVICE	Package Type	MARKING	Packing	Packing Qty
LM741N	DIP-8	LM741	TUBE	2000pcs/Box
LM741AN	DIP-8	LM741A	TUBE	2000pcs/Box
LM741M/TR	SOP-8	LM741	REEL	2500pcs/Reel
LM741AM/TR	SOP-8	LM741A	REEL	2500pcs/Reel
LM741MM/TR	MSOP-8	LM741	REEL	3000pcs/Reel
LM741AMM/TR	MSOP-8	LM741A	REEL	3000pcs/Reel

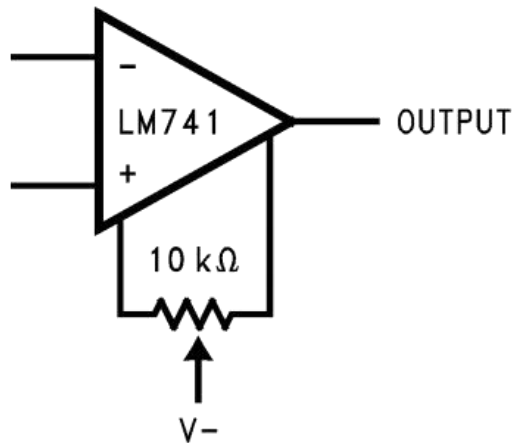
## Connection Diagram



## Schematic Diagram



## Offset Nulling Circuit



**Absolute Maximum Ratings** <sup>(1)</sup>

CONDITION	LIMITS
Supply Voltage	± 18V
Power Dissipation <sup>(Note2)</sup>	500mW
Differential Input Voltage	± 30V
Input Voltage <sup>(Note3)</sup>	± 15V
Output Sort Circuit Duration	Continuous
Operating Temperature Range	0°C to +70°C
Junction Temperature	150°C
Soldering Information (10 seconds)	245°C
Storage Temperature Range	-65°C to +150°C
ESD Tolerance	400V

Note1: "Absolute Maximum Ratings" indicate limits beyond which damage to the device may occur. Operating Ratings indicate conditions for which the device is functional, but do not guarantee specific performance limits.

Note 2: For operation at elevated temperatures, these devices must be derated based on thermal resistance, and T<sub>j</sub> max. (listed under "Absolute Maximum Ratings"). T<sub>j</sub> = T<sub>A</sub> + (θ<sub>jA</sub> PD).

Note 3: For supply voltages less than ±15V, the absolute maximum input voltage is equal to the supply voltage.

Thermal Resistance	DIP(N)	SOP-8(M)
θ <sub>jA</sub> (Junction to Ambient)	100°C/W	195°C/W
θ <sub>jC</sub> (Junction to Case)	N/A	N/A

**Electrical Characteristics**

Parameter	Conditions	LM741A			LM741			Units	
		Min	Typ	Max	Min	Typ	Max		
Input Offset Voltage	$T_A=25^{\circ}\text{C}$ $R_S \leq 10\text{K}\Omega$ $R_S \leq 50\Omega$		0.8	3.0		1.0	5.0	mW mW	
	$T_{AMIN} \leq T_A \leq T_{AMAX}$ $R_S \leq 50\Omega$ $R_S \leq 10\text{K}\Omega$			4.0			6.0	mW mW	
	Average Input Offset Voltage Drift			15				$\mu\text{V}/^{\circ}\text{C}$	
Input Offset Voltage Adjustment Range	$T_A=25^{\circ}\text{C}, V_S=\pm 18\text{V}$	$\pm 10$				$\pm 15$		mW	
Input Offset Current	$T_A=25^{\circ}\text{C}$ $T_{AMIN} \leq T_A \leq T_{AMAX}$		3.0	30 70		20 85	200 500	nA nA	
	Average Input Offset Current Drift			0.5				$\text{nA}/^{\circ}\text{C}$	
Input Bias Current	$T_A=25^{\circ}\text{C}$ $T_{AMIN} \leq T_A \leq T_{AMAX}$		30	80 0.21		80	500 1.5	nA $\mu\text{A}$	
	Input Resistance	$T_A=25^{\circ}\text{C}, V_S=\pm 18\text{V}$	1.0	6.0		0.3	2.0		$\text{M}\Omega$
$T_{AMIN} \leq T_A \leq T_{AMAX}, V_S=\pm 18\text{V}$		0.5						$\text{M}\Omega$	
Input Voltage Range	$T_A=25^{\circ}\text{C}$							V	
	$T_{AMIN} \leq T_A \leq T_{AMAX}$				$\pm 12$	$\pm 13$		V	
Large Signal Voltage Gain	$T_A=25^{\circ}\text{C}, R_L \geq 2\text{K}\Omega$ $V_S=\pm 18\text{V}, V_O=\pm 15\text{V}$ $V_S=\pm 15\text{V}, V_O=\pm 10\text{V}$	50				50	200	V/mW V/mW	
	$T_{AMIN} \leq T_A \leq T_{AMAX}$ $R_L \geq 2\text{K}\Omega$ $V_S=\pm 18\text{V}, V_O=\pm 15\text{V}$ $V_S=\pm 15\text{V}, V_O=\pm 10\text{V}$	32				25		V/mW V/mW	
	$V_S=\pm 5\text{V}, V_O=\pm 2\text{V}$	10						V/mW	
	Output Voltage Swing	$V_S=\pm 18\text{V}$ $R_L \geq 10\text{K}\Omega$ $R_L \geq 2\text{K}\Omega$	$\pm 16$ $\pm 15$						V V
$V_S=\pm 15\text{V}$ $R_L \geq 10\text{K}\Omega$ $R_L \geq 2\text{K}\Omega$					$\pm 12$ $\pm 10$	$\pm 14$ $\pm 13$		V V	
Output Short Circuit Current		$T_A=25^{\circ}\text{C}$	10	25	35		25		$\text{mA}$
		$T_{AMIN} \leq T_A \leq T_{AMAX}$	10		40				$\text{mA}$

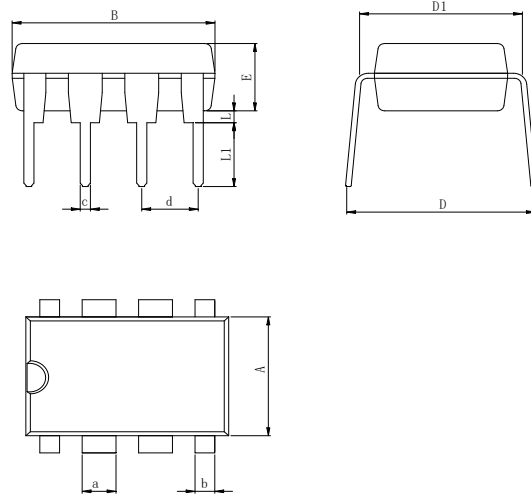
Common-Mode Rejection Ratio	$T_{AMIN} \leq T_A \leq T_{AMAX}$			0.5				
	$R_S \leq 10K\Omega, V_{CM} = \pm 12V$				70	90		dB
	$R_S \leq 50\Omega, V_{CM} = \pm 12V$	80	95					dB
Supply Voltage Rejection Ratio	$T_{AMIN} \leq T_A \leq T_{AMAX}$							
	$V_S = \pm 18V$ to $V_S = \pm 5V$							
	$R_S \leq 50\Omega$	86	96					dB
	$R_S \leq 10K\Omega$				77	96		dB
Transient Response Rise Time Overshoot	$T_A = 25^\circ C$ , Unity Gain		0.25	0.8			0.3	$\mu s$
			6.0	20			5	%
Bandwidth <sup>(Note5)</sup>	$T_A = 25^\circ C$	0.437	1.5					MHz
Slew Rate	$T_A = 25^\circ C$ , Unity Gain	0.3	0.7			0.5		V/ $\mu s$
Supply Current	$T_A = 25^\circ C$					1.7	2.8	mA
Power Consumption	$T_A = 25^\circ C$							
	$V_S = \pm 18V$		80	150				mw
	$V_S = \pm 15V$					50	85	mw

Note 4: Calculated value from: BW (MHz) = 0.35/Rise Time( $\mu s$ ).

Note 5: Human body model, 1.5 k $\Omega$  in series with 100 pF.

## Physical Dimensions

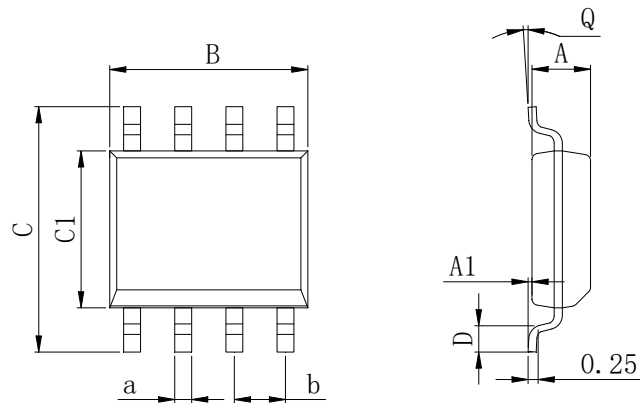
### DIP-8



**Dimensions In Millimeters(DIP-8)**

Symbol:	A	B	D	D1	E	L	L1	a	b	c	d
Min:	6.10	9.00	8.10	7.42	3.10	0.50	3.00	1.50	0.85	0.40	2.54 BSC
Max:	6.68	9.50	10.9	7.82	3.55	0.70	3.60	1.55	0.90	0.50	

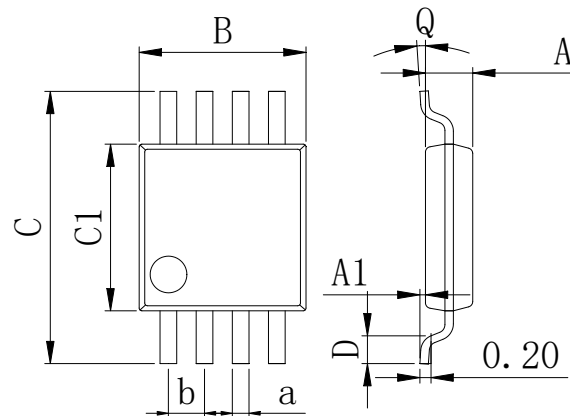
### SOP-8



**Dimensions In Millimeters(SOP-8)**

Symbol:	A	A1	B	C	C1	D	Q	a	b
Min:	1.35	0.05	4.90	5.80	3.80	0.40	0°	0.35	1.27 BSC
Max:	1.55	0.20	5.10	6.20	4.00	0.80	8°	0.45	

MSOP-8



Dimensions In Millimeters(MSOP-8)									
Symbol:	A	A1	B	C	C1	D	Q	a	b
Min:	0.80	0.05	2.90	4.75	2.90	0.35	0°	0.25	0.65 BSC
Max:	0.90	0.20	3.10	5.05	3.10	0.75	8°	0.35	

## Revision History

DATE	REVISION	PAGE
2021-7-8	New	1-9
2023-9-1	Update encapsulation type、Update Lead Temperature、Updated DIP-8 dimension、 Add annotation for Maximum Ratings.	1、 3、 5
2023-10-16	Document Reformatting	1-9



**IMPORTANT STATEMENT:**

Huaguan Semiconductor reserves the right to change its products and services without notice. Before ordering, the customer shall obtain the latest relevant information and verify whether the information is up to date and complete. Huaguan Semiconductor does not assume any responsibility or obligation for the altered documents.

Customers are responsible for complying with safety standards and taking safety measures when using Huaguan Semiconductor products for system design and machine manufacturing. You will bear all the following responsibilities: Select the appropriate Huaguan Semiconductor products for your application; Design, validate and test your application; Ensure that your application meets the appropriate standards and any other safety, security or other requirements. To avoid the occurrence of potential risks that may lead to personal injury or property loss.

Huaguan Semiconductor products have not been approved for applications in life support, military, aerospace and other fields, and Huaguan Semiconductor will not bear the consequences caused by the application of products in these fields. All problems, responsibilities and losses arising from the user's use beyond the applicable area of the product shall be borne by the user and have nothing to do with Huaguan Semiconductor, and the user shall not claim any compensation liability against Huaguan Semiconductor by the terms of this Agreement.

The technical and reliability data (including data sheets), design resources (including reference designs), application or other design suggestions, network tools, safety information and other resources provided for the performance of semiconductor products produced by Huaguan Semiconductor are not guaranteed to be free from defects and no warranty, express or implied, is made. The use of testing and other quality control technologies is limited to the quality assurance scope of Huaguan Semiconductor. Not all parameters of each device need to be tested.

The documentation of Huaguan Semiconductor authorizes you to use these resources only for developing the application of the product described in this document. You have no right to use any other Huaguan Semiconductor intellectual property rights or any third party intellectual property rights. It is strictly forbidden to make other copies or displays of these resources. You should fully compensate Huaguan Semiconductor and its agents for any claims, damages, costs, losses and debts caused by the use of these resources. Huaguan Semiconductor accepts no liability for any loss or damage caused by infringement.

## X-ON Electronics

Largest Supplier of Electrical and Electronic Components

*Click to view similar products for [Operational Amplifiers - Op Amps](#) category:*

*Click to view products by [HGSEMI](#) manufacturer:*

Other Similar products are found below :

[430227FB](#) [LT1678IS8](#) [NCV33202DMR2G](#) [NJM324E](#) [M38510/13101BPA](#) [NTE925](#) [AZV358MTR-G1](#) [AP4310AUMTR-AG1](#)  
[AZV358MMTR-G1](#) [SCY33178DR2G](#) [NCV20034DR2G](#) [NTE778S](#) [NTE871](#) [NTE937](#) [NJU7057RB1-TE2](#) [SCY6358ADR2G](#)  
[NJM2904CRB1-TE1](#) [UPC4570G2-E1-A](#) [UPC4741G2-E1-A](#) [UPC4574GR-9LG-E1-A](#) [NJM8532RB1-TE1](#) [EL2250CS](#) [EL5100IS](#) [EL5104IS](#)  
[EL5127CY](#) [EL5127CYZ](#) [EL5133IW](#) [EL5152IS](#) [EL5156IS](#) [EL5162IS](#) [EL5202IY](#) [EL5203IY](#) [EL5204IY](#) [EL5210CS](#) [EL5210CYZ](#)  
[EL5211IYE](#) [EL5220CY](#) [EL5223CLZ](#) [EL5223CR](#) [EL5224ILZ](#) [EL5227CLZ](#) [EL5227CRZ](#) [EL5244CS](#) [EL5246CS](#) [EL5246CSZ](#) [EL5250IY](#)  
[EL5251IS](#) [EL5257IS](#) [EL5260IY](#) [EL5261IS](#)