

# 1MHZ CMOS Rail-to-Rail IO Opamp with RF Filter

## Features

- Single-Supply Operation from +2.1V ~ +5.5V
- Rail-to-Rail Input / Output
- Gain-Bandwidth Product: 1MHz (Typ.)
- Low Input Bias Current: 1pA (Typ.)
- Low Offset Voltage: 3.5mV (Max.)
- Quiescent Current: 40μA per Amplifier (Typ.)
- Operating Temperature: -40°C ~ +125°C
- Embedded RF Anti-EMI Filter
- Small Package:  
LMV321 Available in SOT23-5 Packages  
LMV358 Available in SOP-8, MSOP-8, DIP-8 Packages  
LMV324 Available in SOP-14 and TSSOP-14 Packages

## General Description

The LMV321 family have a high gain-bandwidth product of 1MHz, a slew rate of 0.6V/μs, and a quiescent current of 40 μA/amplifier at 5V. The LMV321 family is designed to provide optimal performance in low voltage and low noise systems. They provide rail-to-rail output swing into heavy loads. The input common mode voltage range includes ground, and the maximum input offset voltage is 3.5mV for LMV321 family. They are specified over the extended industrial temperature range (-40°C to +125°C). The operating range is from 2.1V to 5.5V.

## Applications

- ASIC Input or Output Amplifier
- Sensor Interface
- Medical Communication
- Smoke Detectors
- Audio Output
- Piezoelectric Transducer Amplifier
- Medical Instrumentation
- Portable Systems

## Ordering Information

DEVICE	Package Type	MARKING	Packing	Packing Qty
LMV321M5/TR	SOT23-5	A13	REEL	2500/reel
LMV358M/TR	SOP8	LMV358	REEL	2500/reel
LMV358MM/TR	MSOP8	V358	REEL	2500/reel
LMV358N	DIP8	LMV358	TUBE	2000/box
LMV324M/TR	SOP14	LMV324	REEL	2500/reel
LMV324MT/TR	TSSOP14	V324	REEL	2500/reel

## Pin Configuration

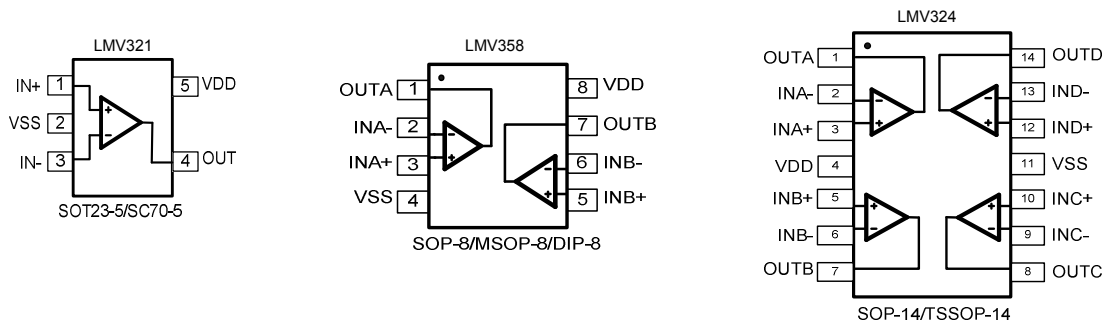


Figure 1. Pin Assignment Diagram

**Absolute Maximum Ratings**

Condition	Min	Max
Power Supply Voltage ( $V_{DD}$ to $V_{SS}$ )	-0.5V	+7.5V
Analog Input Voltage ( $IN+$ or $IN-$ )	$V_{SS}-0.5V$	$V_{DD}+0.5V$
PDB Input Voltage	$V_{SS}-0.5V$	+7V
Operating Temperature Range	-40°C	+125°C
Junction Temperature	+160°C	
Storage Temperature Range	-55°C	+150°C
Lead Temperature (soldering, 10sec)	+260°C	
<b>Package Thermal Resistance (<math>T_A=+25^\circ\text{C}</math>)</b>		
SOP-8, $\theta_{JA}$	125°C/W	
MSOP-8, $\theta_{JA}$	216°C/W	
SOT23-5, $\theta_{JA}$	190°C/W	
<b>ESD Susceptibility</b>		
HBM	6KV	
MM	300V	

**Note:** Stress greater than those listed under Absolute Maximum Ratings may cause permanent damage to the device. This is a stress rating only and functional operation of the device at these or any other conditions outside those indicated in the operational sections of this specification are not implied. Exposure to absolute maximum rating conditions for extended periods may affect reliability.

## Electrical Characteristics

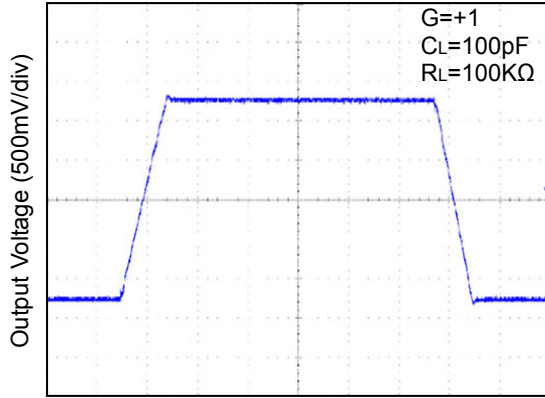
(At  $V_S = +5V$ ,  $R_L = 100k\Omega$  connected to  $V_S/2$ , and  $V_{OUT} = V_S/2$ , unless otherwise noted.)

PARAMETER	SYMBOL	CONDITIONS	LMV321/358/324				
			TYP	MIN/MAX OVER TEMPERATURE			
			+25°C	+25°C	-40°C to +85°C	UNITS	MIN/MAX
<b>INPUT CHARACTERISTICS</b>							
Input Offset Voltage	$V_{OS}$	$V_{CM} = V_S/2$	0.4	3.5	5.6	mV	MAX
Input Bias Current	$I_B$		1			pA	TYP
Input Offset Current	$I_{OS}$		1			pA	TYP
Common-Mode Voltage Range	$V_{CM}$	$V_S = 5.5V$	-0.1 to +5.6			V	TYP
Common-Mode Rejection Ratio	CMRR	$V_S = 5.5V, V_{CM} = -0.1V$ to 4V	70	62	62	dB	MIN
		$V_S = 5.5V, V_{CM} = -0.1V$ to 5.6V	68	56	55		
Open-Loop Voltage Gain	$A_{OL}$	$R_L = 5k\Omega, V_O = +0.1V$ to +4.9V	80	70	70	dB	MIN
		$R_L = 10k\Omega, V_O = +0.1V$ to +4.9V	100	90	85		
Input Offset Voltage Drift	$\Delta V_{OS}/\Delta T$		2.7			$\mu V/^\circ C$	TYP
<b>OUTPUT CHARACTERISTICS</b>							
Output Voltage Swing from Rail	$V_{OH}$	$R_L = 100k\Omega$	4.997	4.990	4.980	V	MIN
	$V_{OL}$	$R_L = 100k\Omega$	3	10	20	mV	MAX
	$V_{OH}$	$R_L = 10k\Omega$	4.992	4.970	4.960	V	MIN
	$V_{OL}$	$R_L = 10k\Omega$	8	30	40	mV	MAX
Output Current	$I_{SOURCE}$	$R_L = 10\Omega$ to $V_S/2$	84	60	45	mA	MIN
	$I_{SINK}$		75	60	45		
<b>POWER SUPPLY</b>							
Operating Voltage Range				2.1	2.5	V	MIN
				5.5	5.5	V	MAX
Power Supply Rejection Ratio	PSRR	$V_S = +2.5V$ to +5.5V, $V_{CM} = +0.5V$	82	60	58	dB	MIN
Quiescent Current / Amplifier	$I_Q$		40	60	80	$\mu A$	MAX
<b>DYNAMIC PERFORMANCE (CL = 100pF)</b>							
Gain-Bandwidth Product	GBP		1			MHz	TYP
Slew Rate	SR	$G = +1, 2V$ Output Step	0.6			V/ $\mu s$	TYP
Settling Time to 0.1%	$t_s$	$G = +1, 2V$ Output Step	5			$\mu s$	TYP
Overload Recovery Time		$V_{IN} \cdot Gain = V_S$	2.6			$\mu s$	TYP
<b>NOISE PERFORMANCE</b>							
Voltage Noise Density	$e_n$	f = 1kHz	27			$nV/\sqrt{Hz}$	TYP
		f = 10kHz	20			$nV/\sqrt{Hz}$	TYP

**Typical Performance characteristics**

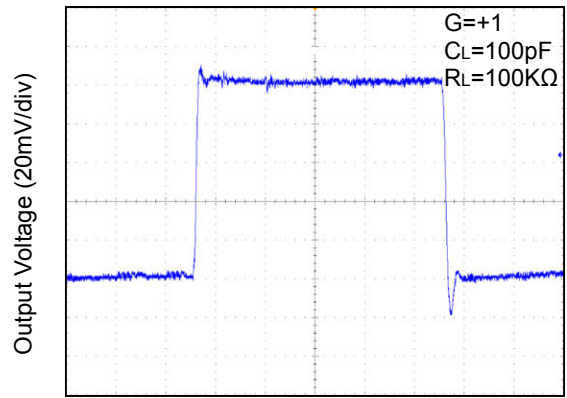
At  $T_A=+25^{\circ}\text{C}$ ,  $V_S=+5\text{V}$ , and  $R_L=100\text{K}\Omega$  connected to  $V_S/2$ , unless otherwise noted.

Large-Signal Step Response



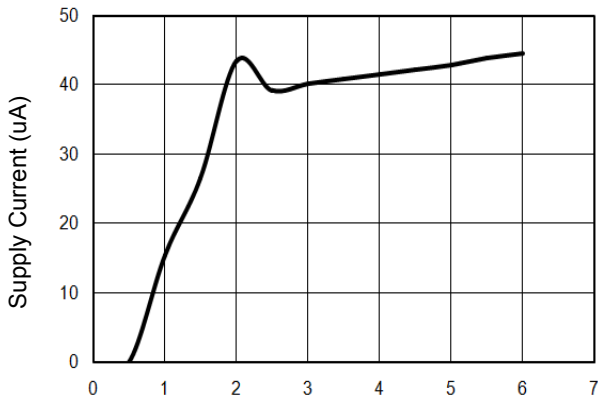
Time (4µs/div)

Small-Signal Step Response



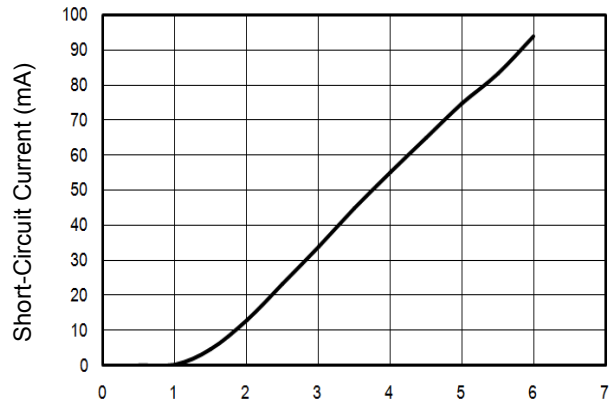
Time (2µs/div)

Supply Current vs. Supply Voltage



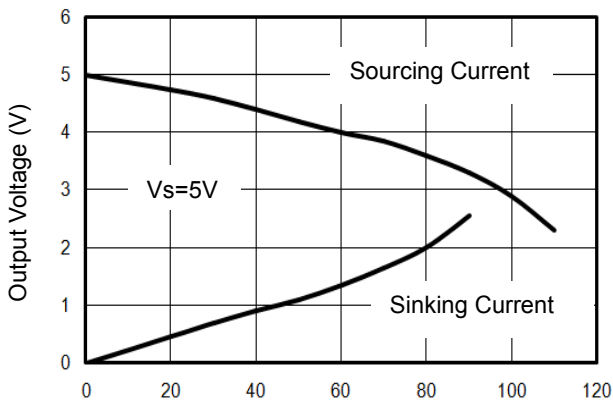
Supply Voltage (V)

Short-Circuit Current vs. Supply Voltage



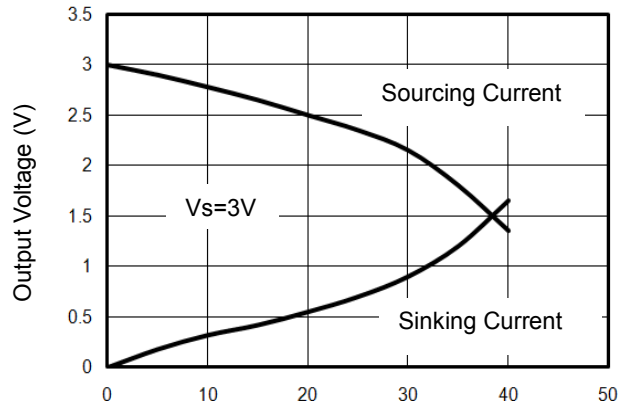
Supply Voltage (V)

Output Voltage vs. Output Current



Output Current (mA)

Output Voltage vs. Output Current

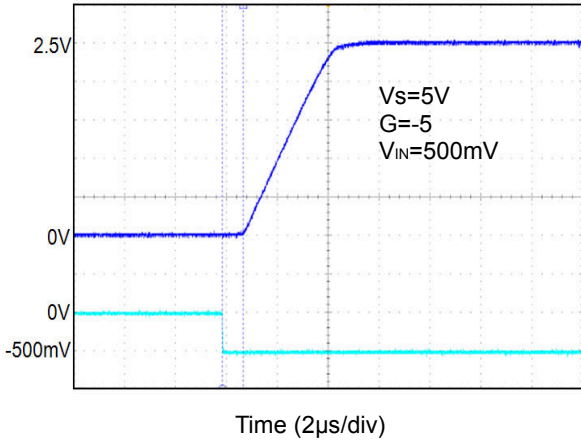


Output Current (mA)

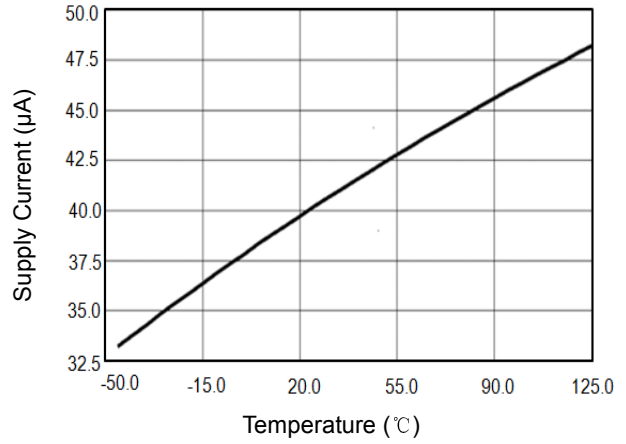
**Typical Performance characteristics**

At  $T_A=+25^{\circ}\text{C}$ ,  $V_S=+5\text{V}$ , and  $R_L=100\text{K}\Omega$  connected to  $V_S/2$ , unless otherwise noted.

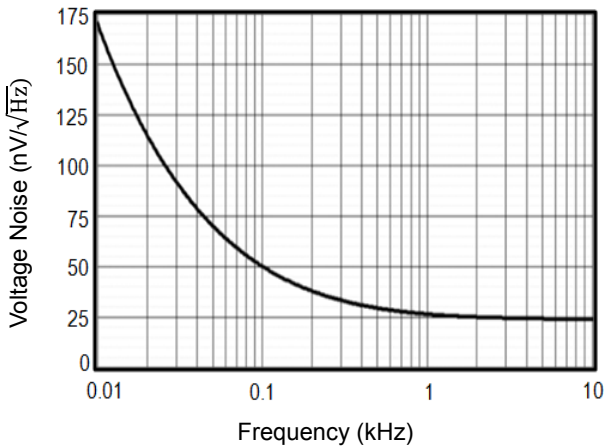
Overload Recovery Time



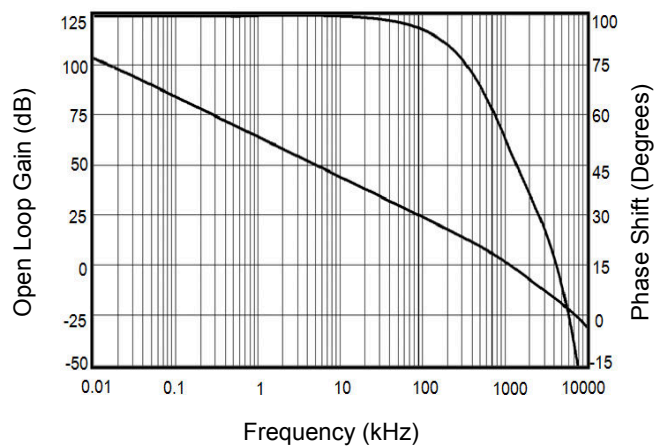
Supply Current vs. Temperature



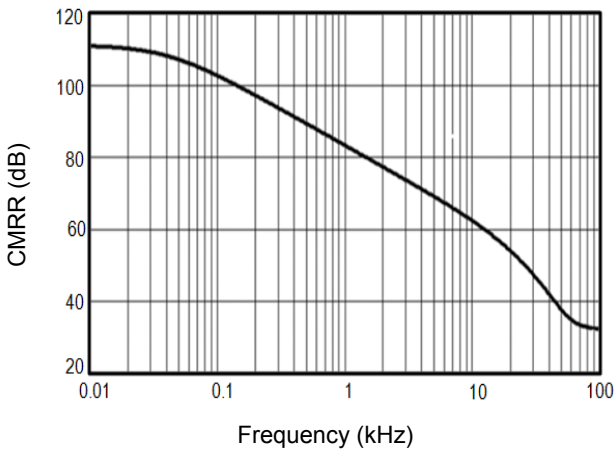
Input Voltage Noise Spectral Density vs. Frequency



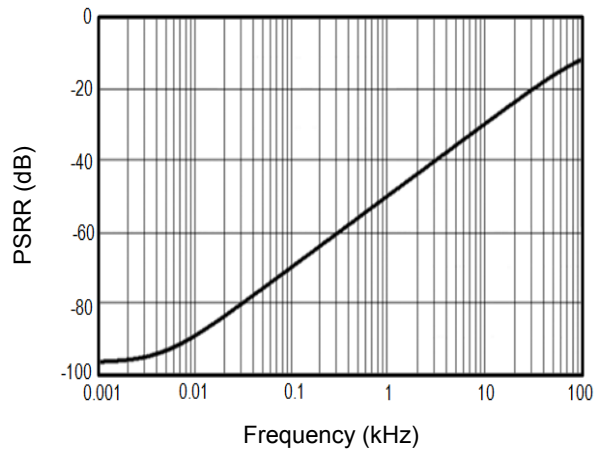
Open Loop Gain, Phase Shift vs. Frequency at +5V



CMRR vs. Frequency



PSRR vs. Frequency



## Application Note

### Size

LMV321 family series op amps are unity-gain stable and suitable for a wide range of general-purpose applications. The small footprints of the LMV321 family packages save space on printed circuit boards and enable the design of smaller electronic products.

### Power Supply Bypassing and Board Layout

LMV321 family series operates from a single 2.1V to 5.5V supply or dual  $\pm 1.05\text{V}$  to  $\pm 2.75\text{V}$  supplies. For best performance, a  $0.1\mu\text{F}$  ceramic capacitor should be placed close to the  $V_{\text{DD}}$  pin in single supply operation. For dual supply operation, both  $V_{\text{DD}}$  and  $V_{\text{SS}}$  supplies should be bypassed to ground with separate  $0.1\mu\text{F}$  ceramic capacitors.

### Low Supply Current

The low supply current (typical  $40\mu\text{A}$  per channel) of LMV321 family will help to maximize battery life. They are ideal for battery powered systems

### Operating Voltage

LMV321 family operates under wide input supply voltage (2.1V to 5.5V). In addition, all temperature specifications apply from  $-40^\circ\text{C}$  to  $+125^\circ\text{C}$ . Most behavior remains unchanged throughout the full operating voltage range. These guarantees ensure operation throughout the single Li-Ion battery lifetime

### Rail-to-Rail Input

The input common-mode range of LMV321 family extends  $100\text{mV}$  beyond the supply rails ( $V_{\text{SS}}-0.1\text{V}$  to  $V_{\text{DD}}+0.1\text{V}$ ). This is achieved by using complementary input stage. For normal operation, inputs should be limited to this range.

### Rail-to-Rail Output

Rail-to-Rail output swing provides maximum possible dynamic range at the output. This is particularly important when operating in low supply voltages. The output voltage of LMV321 family can typically swing to less than  $5\text{mV}$  from supply rail in light resistive loads ( $>100\text{k}\Omega$ ), and  $30\text{mV}$  of supply rail in moderate resistive loads ( $10\text{k}\Omega$ ).

### Capacitive Load Tolerance

The LMV321 family is optimized for bandwidth and speed, not for driving capacitive loads. Output capacitance will create a pole in the amplifier's feedback path, leading to excessive peaking and potential oscillation. If dealing with load capacitance is a requirement of the application, the two strategies to consider are (1) using a small resistor in series with the amplifier's output and the load capacitance and (2) reducing the bandwidth of the amplifier's feedback loop by increasing the overall noise gain. Figure 2. shows a unity gain follower using the series resistor strategy. The resistor isolates the output from the capacitance and, more importantly, creates a zero in the feedback path that compensates for the pole created by the output capacitance.

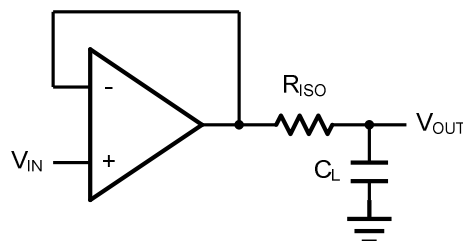


Figure 2. Indirectly Driving a Capacitive Load Using Isolation Resistor

The bigger the  $R_{\text{ISO}}$  resistor value, the more stable  $V_{\text{OUT}}$  will be. However, if there is a resistive load  $R_{\text{L}}$  in parallel with the capacitive load, a voltage divider (proportional to  $R_{\text{ISO}}/R_{\text{L}}$ ) is formed, this will result in a gain error.

The circuit in Figure 3 is an improvement to the one in Figure 2.  $R_{\text{F}}$  provides the DC accuracy by feed-forward the  $V_{\text{IN}}$  to  $R_{\text{L}}$ .  $C_{\text{F}}$

and  $R_{ISO}$  serve to counteract the loss of phase margin by feeding the high frequency component of the output signal back to the amplifier's inverting input, thereby preserving the phase margin in the overall feedback loop. Capacitive drive can be increased by increasing the value of  $C_F$ . This in turn will slow down the pulse response.

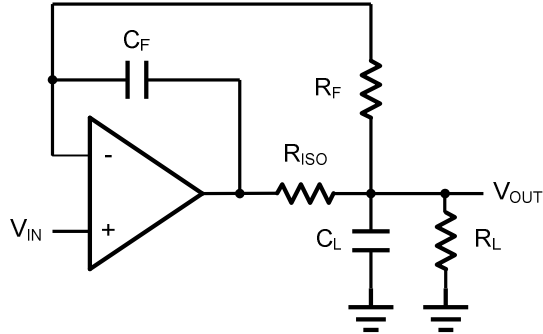


Figure 3. Indirectly Driving a Capacitive Load with DC Accuracy

## Typical Application Circuits

### Differential amplifier

The differential amplifier allows the subtraction of two input voltages or cancellation of a signal common to the two inputs. It is useful as a computational amplifier in making a differential to single-end conversion or in rejecting a common mode signal. Figure 4. shown the differential amplifier using LMV321 family.

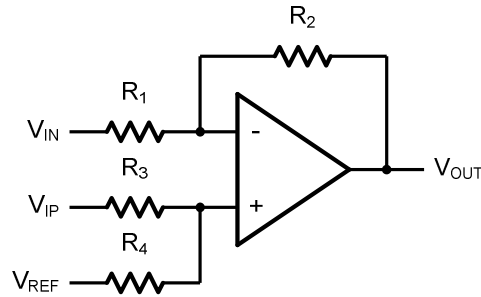


Figure 4. Differential Amplifier

$$V_{OUT} = \left(\frac{R_1+R_2}{R_3+R_4}\right) \frac{R_4}{R_1} V_{IN} - \frac{R_2}{R_1} V_{IP} + \left(\frac{R_1+R_2}{R_3+R_4}\right) \frac{R_3}{R_1} V_{REF}$$

If the resistor ratios are equal (i.e.  $R_1=R_3$  and  $R_2=R_4$ ), then

$$V_{OUT} = \frac{R_2}{R_1} (V_{IP} - V_{IN}) + V_{REF}$$

### Low Pass Active Filter

The low pass active filter is shown in Figure 5. The DC gain is defined by  $-R_2/R_1$ . The filter has a -20dB/decade roll-off after its corner frequency  $f_C=1/(2\pi R_3 C_1)$ .

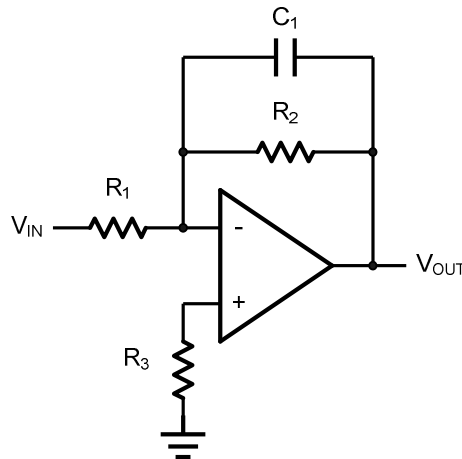


Figure 5. Low Pass Active Filter



### Instrumentation Amplifier

The triple LMV321 family can be used to build a three -op-amp instrumentation amplifier as shown in Figure 6. The amplifier in Figure 6 is a high input impedance differential amplifier with gain of  $R_2/R_1$ . The two differential voltage followers assure the high input impedance of the amplifier.

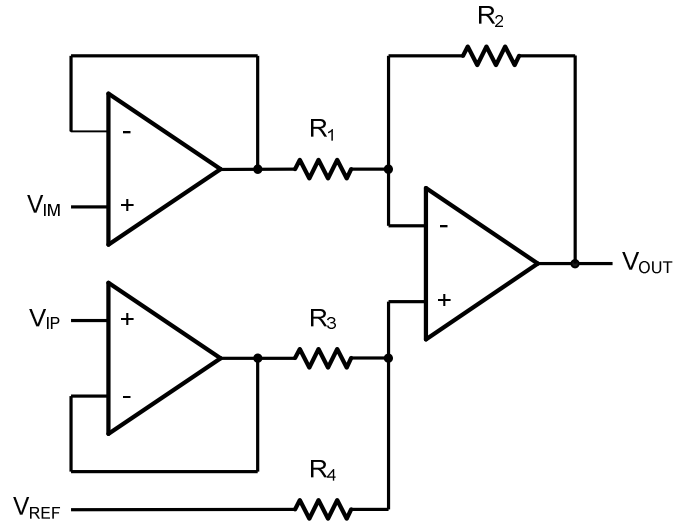
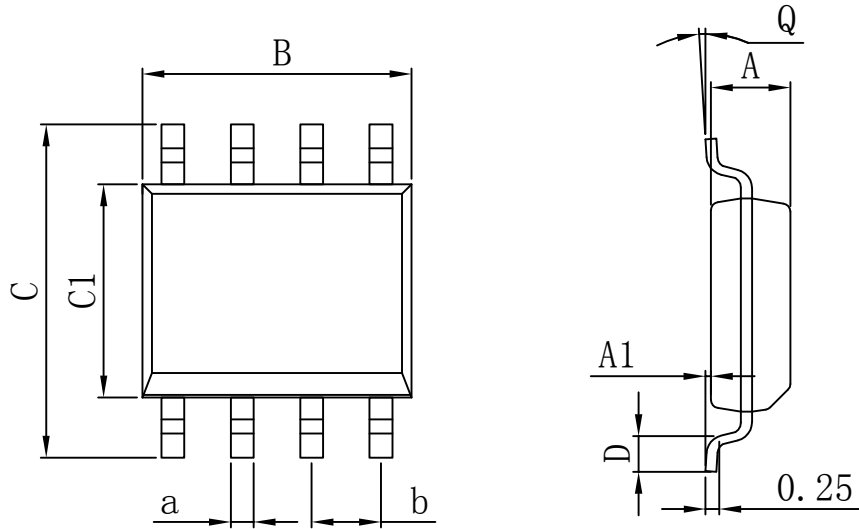


Figure 6. Instrument Amplifier

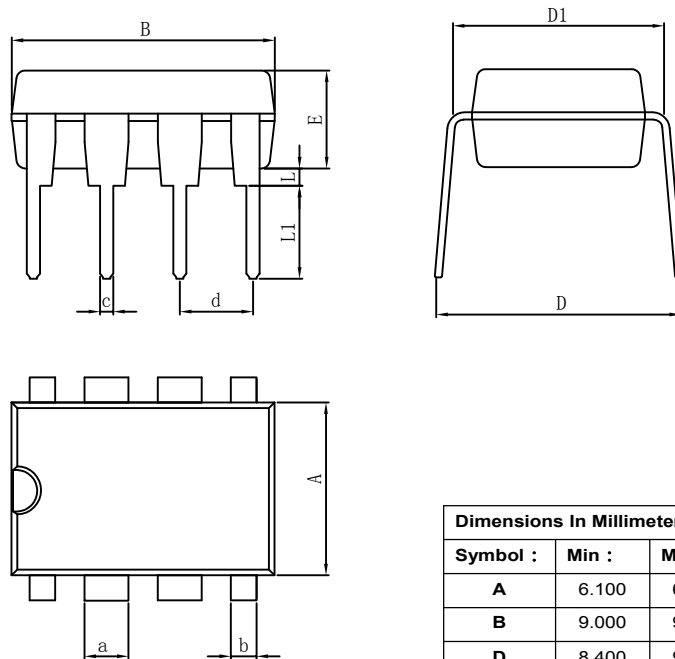
**PACKAGE**

SOP8



Dimensions In Millimeters					
Symbol :	Min :	Max :	Symbol :	Min :	Max :
A	1.225	1.570	D	0.400	0.950
A1	0.100	0.250	Q	0°	8°
B	4.800	5.100	a	0.420 TYP	
C	5.800	6.250	b	1.270 TYP	
C1	3.800	4.000			

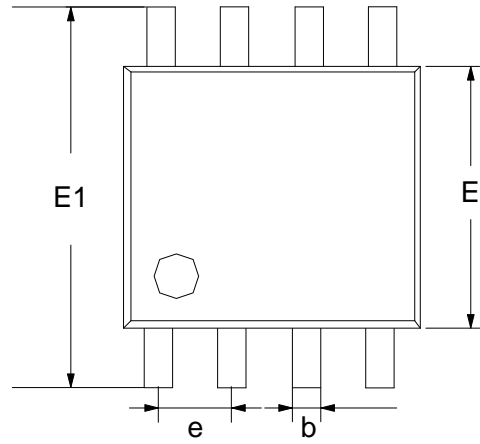
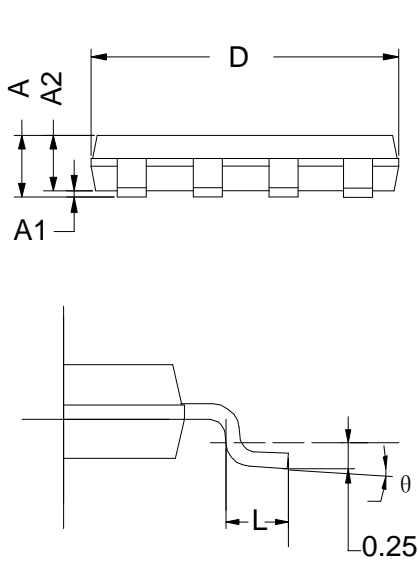
DIP8



Dimensions In Millimeters					
Symbol :	Min :	Max :	Symbol :	Min :	Max :
A	6.100	6.680	L1	3.000	3.600
B	9.000	9.500	a	1.524 TYP	
D	8.400	9.000	b	0.889 TYP	
D1	7.420	7.820	c	0.457 TYP	
E	3.100	3.550	d	2.540 TYP	
L	0.500	0.700			

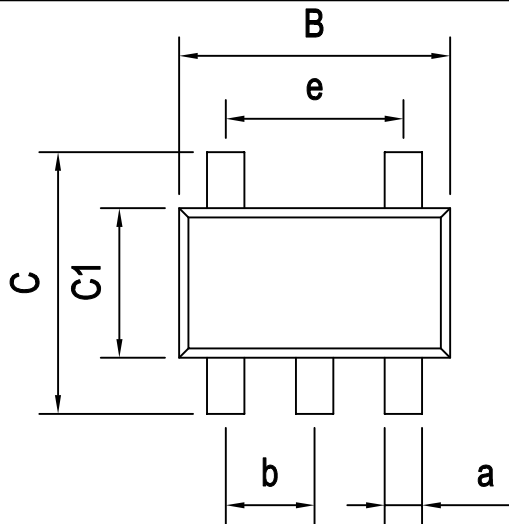
**PACKAGE**

MSOP8



Dimensions In Millimeters					
Symbol :	Min :	Max :	Symbol :	Min :	Max :
A	0.800	1.200	E1	4.700	5.100
A1	0	0.200	L	0.410	0.650
A2	0.760	0.970	$\theta$	0°	6°
D	2.900	3.100	b	0.300 TYP	
E	2.900	3.100	e	0.650 TYP	

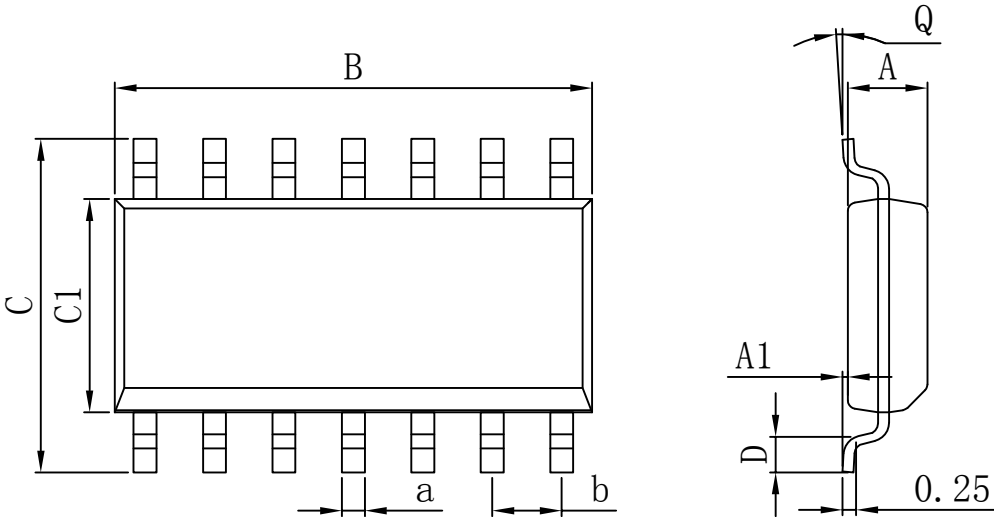
SOT23-5



Dimensions In Millimeters					
Symbol :	Min :	Max :	Symbol :	Min :	Max :
A	1.050	1.150	D	0.300	0.600
A1	0.000	0.100	Q	0°	8°
B	2.820	3.020	a	0.400 TYP	
C	2.650	2.950	b	0.950 TYP	
C1	1.500	1.700	e	1.900 TYP	

PACKAGE

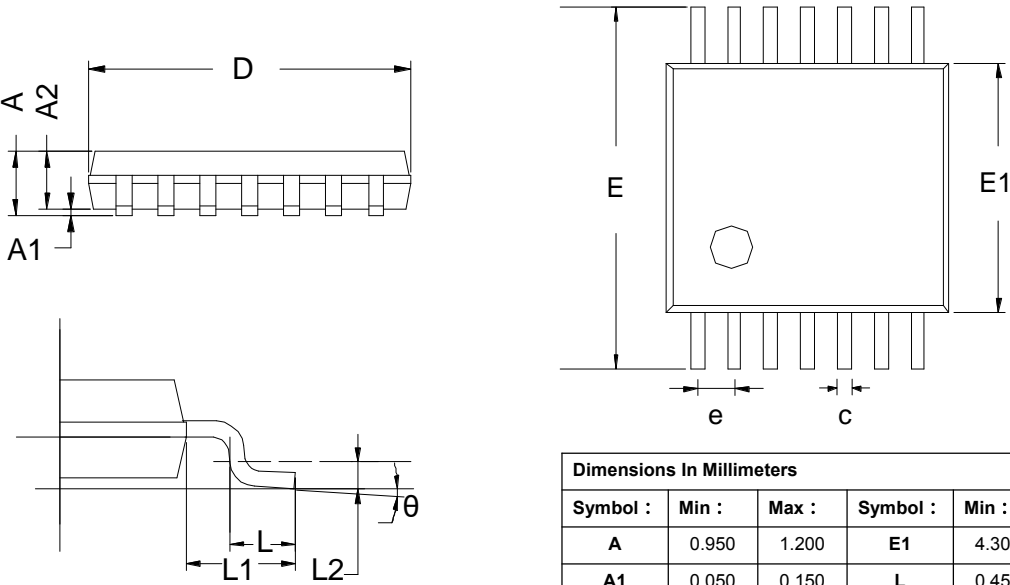
SOP14



The diagram shows the SOP14 package with dimensions B, C, C1, a, b, A, A1, D, Q, and 0.25. It includes a top view and a side view.

Dimensions In Millimeters					
Symbol :	Min :	Max :	Symbol :	Min :	Max :
A	1.225	1.570	D	0.400	0.950
A1	0.100	0.250	Q	0°	8°
B	8.500	9.000	a	0.420 TYP	
C	5.800	6.250	b	1.270 TYP	
C1	3.800	4.000			

TSSOP14



The diagram shows the TSSOP14 package with dimensions A, A1, A2, D, E, E1, e, c, L1, L2, and θ. It includes a top view, a side view, and a cross-sectional view.

Dimensions In Millimeters					
Symbol :	Min :	Max :	Symbol :	Min :	Max :
A	0.950	1.200	E1	4.300	4.500
A1	0.050	0.150	L	0.450	0.750
A2	0.800	1.000	θ	0°	8°
B	0.200	0.280	e	0.650 BSC	
C	0.100	0.190	L1	1.000 REF	
D	4.860	5.060	L2	1.250 BSC	
E	6.200	6.600			

### Important statement:

Huaguan Semiconductor Co,Ltd. reserves the right to change the products and services provided without notice. Customers should obtain the latest relevant information before ordering, and verify the timeliness and accuracy of this information.

Customers are responsible for complying with safety standards and taking safety measures when using our products for system design and machine manufacturing to avoid potential risks that may result in personal injury or property damage.

Our products are not licensed for applications in life support, military, aerospace, etc., so we do not bear the consequences of the application of these products in these fields.

Huaguan Semiconductor Co,Ltd. the performance of the semiconductor products produced by the company can reach the performance indicators that can be applied at the time of sales. the use of testing and other quality control technologies is limited to the quality assurance scope of Huaguan semiconductor. Not all parameters of each device need to be tested. The above documents are for reference only, and all are subject to the physical parameters.

Our documentation is only permitted to be copied without any tampering with the content, so we do not accept any responsibility or liability for the altered documents.

## X-ON Electronics

Largest Supplier of Electrical and Electronic Components

*Click to view similar products for [Operational Amplifiers - Op Amps](#) category:*

*Click to view products by [HGSEMI](#) manufacturer:*

Other Similar products are found below :

[430227FB](#) [UPC451G2-A](#) [UPC824G2-A](#) [LT1678IS8](#) [042225DB](#) [058184EB](#) [UPC822G2-A](#) [UPC258G2-A](#) [NCS5651MNTXG](#)  
[NCV33202DMR2G](#) [NJM324E](#) [NTE925](#) [5962-9080901MCA\\*](#) [AZV358MTR-G1](#) [AP4310AUMTR-AG1](#) [HA1630D02MMEL-E](#)  
[HA1630S01LPEL-E](#) [AZV358MMTR-G1](#) [SCY33178DR2G](#) [NJU77806F3-TE1](#) [NCV5652MUTWG](#) [NCV20034DR2G](#) [NTE778S](#) [NTE871](#)  
[NTE924](#) [NTE937](#) [MCP6V16UT-E/OT](#) [MCP6V17T-E/MS](#) [MCP6V19T-E/ST](#) [SCY6358ADR2G](#) [NCS20282FCTTAG](#) [LM4565FVT-GE2](#)  
[EL5420CRZ-T7A](#) [TSV772IQ2T](#) [TSV792IYST](#) [NJM2100M-TE1](#) [COS2262MR](#) [COS2252MR](#) [COS5532SRB](#) [COS2272MR](#) [LMV358MR](#)  
[COS6002MR](#) [LMV358SR](#) [LM358SR](#) [RC4580MM/TR](#) [HGV8544M/TR](#) [HGV8541M/TR](#) [HGV8634M/TR](#) [HGV8542M/TR](#)  
[HGV8544MT/TR](#)