

## 11MHZ CMOS Rail-to-Rail IO Opamps

### Features

- Single-Supply Operation from +2.1V ~ +5.5V
- Rail-to-Rail Input / Output
- Gain-Bandwidth Product: 11MHz (Typ.)
- Low Input Bias Current: 1pA (Typ.)
- Low Offset Voltage: 3.5mV (Max.)
- High Slew Rate: 9V/μs
- Settling Time to 0.1% with 2V Step: 0.3μs
- Low Noise : 8nV/ Hz @10kHz
- Quiescent Current: 1.1mA per Amplifier (Typ.)
- Operating Temperature: -40°C ~ +125°C
- Small Package:  
 LMV721 Available in SOT23-5 , SC70-5 , SOP-8 and MSOP-8 Packages  
 LMV722 Available in SOP-8 and MSOP-8 Packages  
 LMV724 Available in SOP-14 and TSSOP-14 Packages  
 LMV721N Available in SOT23-6 and SC70-6 Packages

### General Description

The LMV72X have a high gain-bandwidth product of 11 MHz, a slew rate of 9V/μs, and a quiescent current of 1.1mA per amplifier at 5V. The LMV721N has a power-down disable feature that reduces the supply current to 90nA. The LMV72X are designed to provide optimal performance in low voltage and low noise systems. They provide rail-to-rail output swing into heavy loads. The input common mode voltage range includes ground, and the maximum input offset voltage is 3.5mV for LMV72X. They are specified over the extended industrial temperature range (-40°C to +125°C). The operating range is from 2.1V to 5.5V. The LMV721 single is available in Green SC70-5, SOT23-5, SOP-8 and MSOP-8 packages. The LMV722 dual is available in Green SOP-8 and MSOP-8 packages. The LMV724 Quad is available in Green SOP-14 and TSSOP-14 packages. The LMV721N single with shutdown is available in Green SOT23-6 and SC70-6 packages.

### Applications

- Sensors
- Active Filters
- Cellular and Cordless Phones
- Laptops and PDAs
- Audio
- Handheld Test Equipment
- Battery-Powered Instrumentation
- A/D Converters

### Ordering Information

DEVICE	Package Type	MARKING	Packing	Packing Qty
LMV721M5/TR	SOT23-5L	V721	REEL	3000pcs/reel
LMV721M7/TR	SC70-5L	V721	REEL	3000pcs/reel
LMV721M/TR	SOP-8L	LMV721	REEL	2500pcs/reel
LMV721MM/TR	MSOP-8	V721	REEL	3000pcs/reel
LMV721NM6/TR	SOT23-6L	V721N	REEL	3000pcs/reel
LMV721NM7/TR	SC70-6L	V721N	REEL	3000pcs/reel
LMV722M/TR	SOP-8L	LMV722	REEL	2500pcs/reel
LMV722MM/TR	MSOP-8L	LMV722	REEL	3000pcs/reel
LMV724M/TR	SOP-14L	LMV724	REEL	2500pcs/reel
LMV724MT/TR	TSSOP-14L	LMV724	REEL	2500pcs/reel

**Pin Configuration**

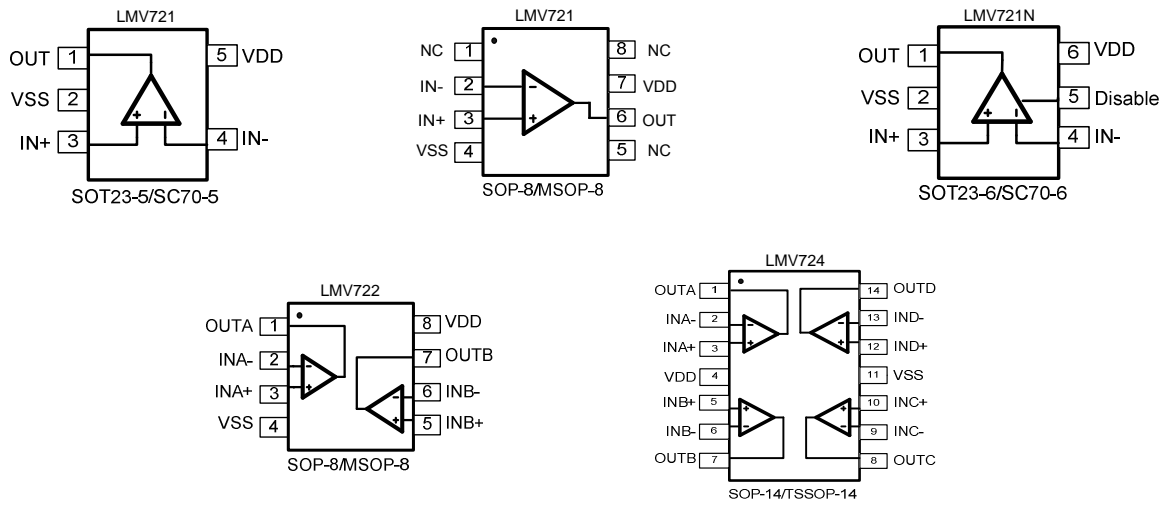


Figure 1. Pin Assignment Diagram

**Absolute Maximum Ratings**

Condition	Min	Max
Power Supply Voltage (V <sub>DD</sub> to V <sub>SS</sub> )	-0.5V	+7.5V
Analog Input Voltage (IN+ or IN-)	V <sub>SS</sub> -0.5V	V <sub>DD</sub> +0.5V
PDB Input Voltage	V <sub>SS</sub> -0.5V	+7V
Operating Temperature Range	-40°C	+125°C
Junction Temperature	+160°C	
Storage Temperature Range	-55°C	+150°C
Lead Temperature (soldering, 10sec)	+260°C	
<b>Package Thermal Resistance (TA=+25°C)</b>		
SOP-8, θ <sub>JA</sub>	125°C/W	
MSOP-8, θ <sub>JA</sub>	216°C/W	
SOT23-5, θ <sub>JA</sub>	190°C/W	
SOT23-6, θ <sub>JA</sub>	190°C/W	
SC70-5, θ <sub>JA</sub>	333°C/W	
<b>ESD Susceptibility</b>		
HBM	8KV	
MM	400V	

**Note:** Stress greater than those listed under Absolute Maximum Ratings may cause permanent damage to the device. This is a stress rating only and functional operation of the device at these or any other conditions outside those indicated in the operational sections of this specification are not implied. Exposure to absolute maximum rating conditions for extended periods may affect reliability.

## Electrical Characteristics

(At  $V_S=5V$ ,  $T_A = +25^\circ C$ ,  $V_{CM} = V_S/2$ ,  $R_L = 600\ \Omega$ , unless otherwise noted.)

PARAMETER	CONDITIONS	LMV721/2/4/1N							
		TYP	MIN/MAX OVER TEMPERATURE					UNITS	MIN / MAX
		+25°C	+25°C	0°C to 70°C	-40°C to 85°C	-40°C to 125°C			
<b>INPUT CHARACTERISTICS</b>									
Input Offset Voltage ( $V_{OS}$ )		0.8	3.5	3.9	4.3	4.6	mV	MAX	
Input Bias Current ( $I_B$ )		1					pA	TYP	
Input Offset Current ( $I_{OS}$ )		1					pA	TYP	
Input Common Mode Voltage Range ( $V_{CM}$ )	$V_S = 5.5V$	-0.1 to +5.6					V	TYP	
Common Mode Rejection Ratio (CMRR)	$V_S = 5.5V$ , $V_{CM} = -0.1V$ to 4V	82	65	64	64	63	dB	MIN	
	$V_S = 5.5V$ , $V_{CM} = -0.1V$ to 5.6V	75					dB	MIN	
Open-Loop Voltage Gain ( $A_{OL}$ )	$R_L = 600\ \Omega$ , $V_O = 0.15V$ to 4.85V	90	80	76	75	68	dB	MIN	
	$R_L = 10k\ \Omega$ , $V_O = 0.05V$ to 4.95V	108					dB	MIN	
Input Offset Voltage Drift ( $\Delta V_{OS}/\Delta T$ )		2.4					$\mu V/^\circ C$	TYP	
<b>OUTPUT CHARACTERISTICS</b>									
Output Voltage Swing from Rail	$R_L = 600\ \Omega$	0.1					V	TYP	
	$R_L = 10k\ \Omega$	0.015					V	TYP	
Output Current ( $I_{OUT}$ )		70	55	45	42	38	mA	MIN	
Closed-Loop Output Impedance	$f = 100kHz$ , $G = 1$	7.5					$\Omega$	TYP	
<b>POWER-DOWN DISABLE</b>									
Turn-On Time		1.1					$\mu s$	TYP	
Turn-Off Time		0.3					$\mu s$	TYP	
DISABLE Voltage-Off			0.8				V	MAX	
DISABLE Voltage-On			2				V	MIN	
<b>POWER SUPPLY</b>									
Operating Voltage Range			2.1	2.1	2.1	2.1	V	MIN	
			5.5	5.5	5.5	5.5	V	MAX	
Power Supply Rejection Ratio (PSRR)	$V_S = +2.5V$ to +5.5V $V_{CM} = (-V_S) + 0.5V$	91	74	72	72	68	dB	MIN	
Quiescent Current/Amplifier ( $I_Q$ )	$I_{OUT} = 0$	1.1	1.5	1.65	1.7	1.85	mA	MAX	
Supply Current when Disabled (LMV721N Only)		90					nA	MAX	

## Electrical Characteristics

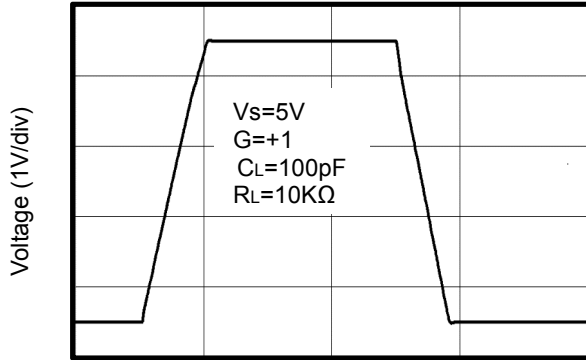
(At  $V_S=5V$ ,  $T_A = +25^\circ C$ ,  $V_{CM} = V_S/2$ ,  $R_L = 600\Omega$ , unless otherwise noted.)

PARAMETER	CONDITIONS	LMV721/2/4/1N							
		TYP	MIN/MAX OVER TEMPERATURE					UNITS	MIN / MAX
		+25°C	+25°C	0°C to 70°C	-40°C to 85°C	-40°C to 125°C			
<b>DYNAMIC PERFORMANCE</b>									
Gain-Bandwidth Product (GBP)	$R_L = 10k\Omega$ , $C_L = 100pF$	11						MHz	TYP
Phase Margin ( $\phi_o$ )	$R_L = 10k\Omega$ , $C_L = 100pF$	51						Degrees	TYP
Full Power Bandwidth (BWP)	< 1% distortion, $R_L = 600\Omega$	400						kHz	TYP
Slew Rate (SR)	$G = +1$ , 2V Step, $R_L = 10k\Omega$	9						V/ $\mu s$	TYP
Settling Time to 0.1% ( $t_s$ )	$G = +1$ , 2V Step, $R_L = 600\Omega$	0.3						$\mu s$	TYP
Overload Recovery Time	$V_{IN} \cdot Gain = V_S$ , $R_L = 600\Omega$	1.5						$\mu s$	TYP
<b>NOISE PERFORMANCE</b>									
Voltage Noise Density ( $e_n$ )	$f = 1kHz$	11.5						$nV/\sqrt{Hz}$	TYP
	$f = 10kHz$	8						$nV/\sqrt{Hz}$	TYP

## Typical Performance characteristics

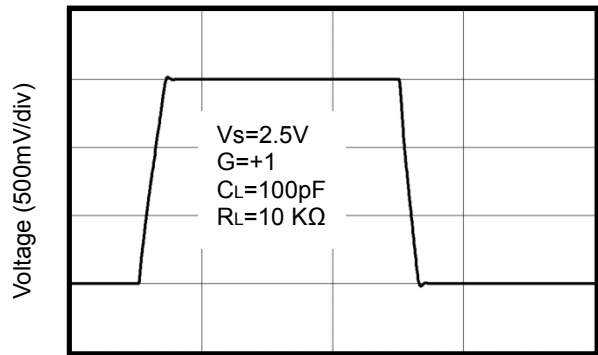
(At  $V_s=5V$ ,  $T_A = +25^\circ C$ ,  $V_{CM} = V_s/2$ ,  $R_L = 600\Omega$ , unless otherwise noted.)

Large-Signal Step Response



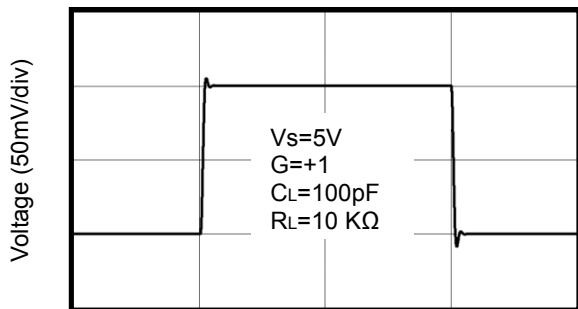
Time (1µs/div)

Large-Signal Step Response



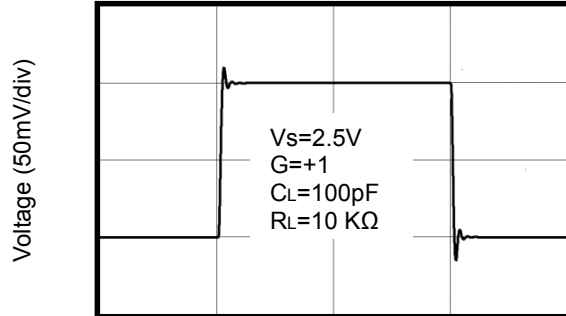
Time (1µs/div)

Small-Signal Step Response



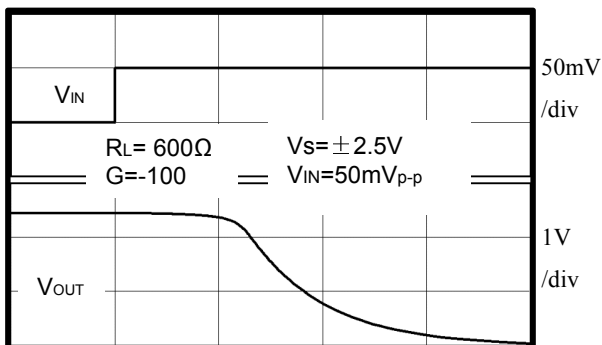
Time (1µs/div)

Small-Signal Step Response



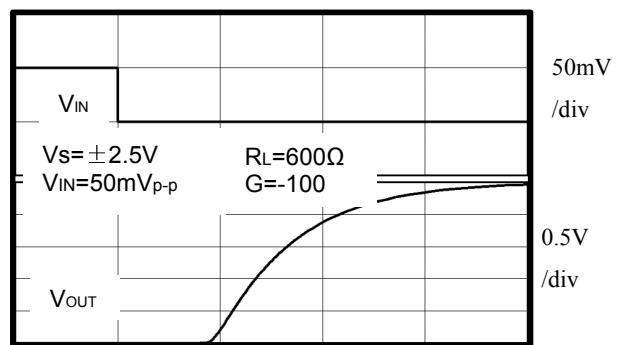
Time (1µs/div)

Positive Overload Recovery



Time (2µs/div)

Negative Overload Recovery

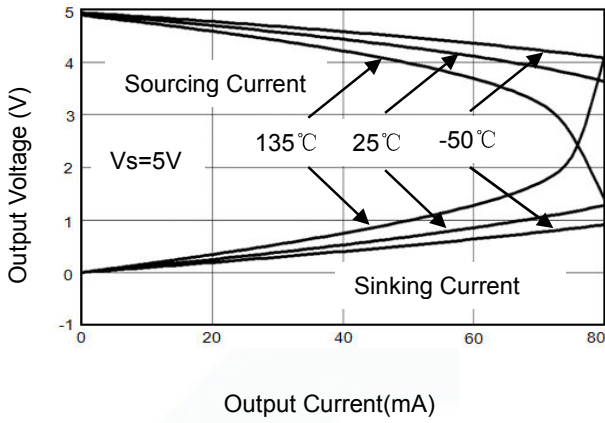


Time (2µs/div)

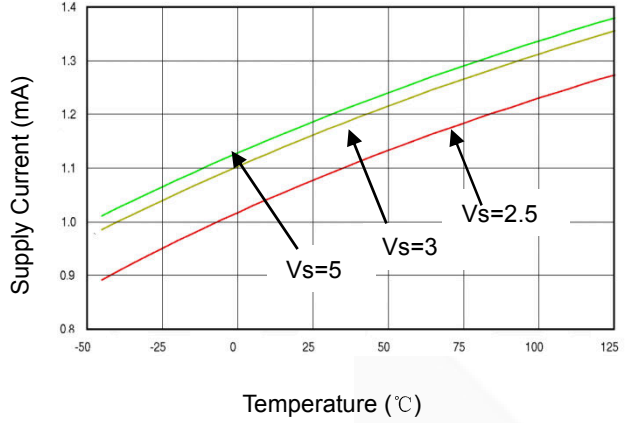
**Typical Performance characteristics**

(At  $V_s=5V$ ,  $T_A = +25^\circ C$ ,  $V_{CM} = V_s/2$ ,  $R_L = 600\Omega$ , unless otherwise noted.)

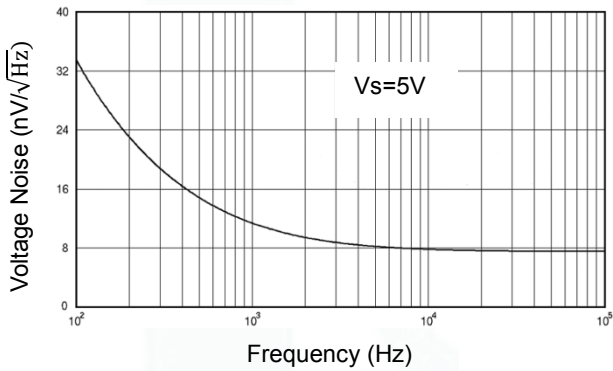
Output Voltage Swing vs. Output Current



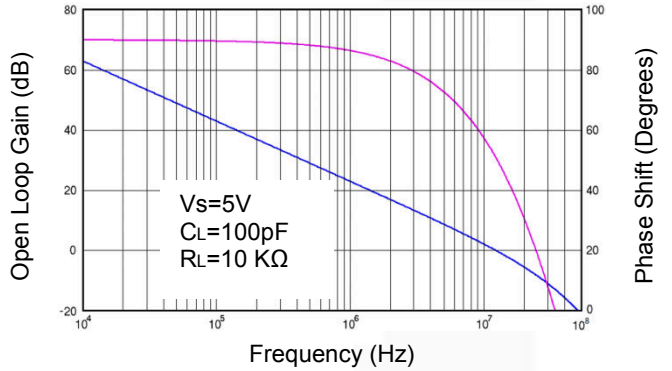
Supply Current vs. Temperature



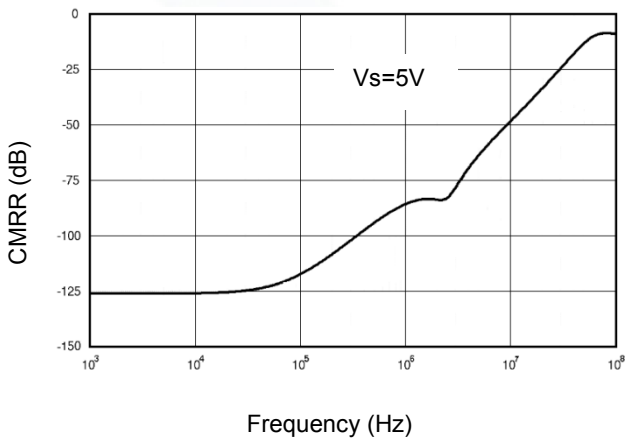
Input Voltage Noise Spectral Density vs. Frequency



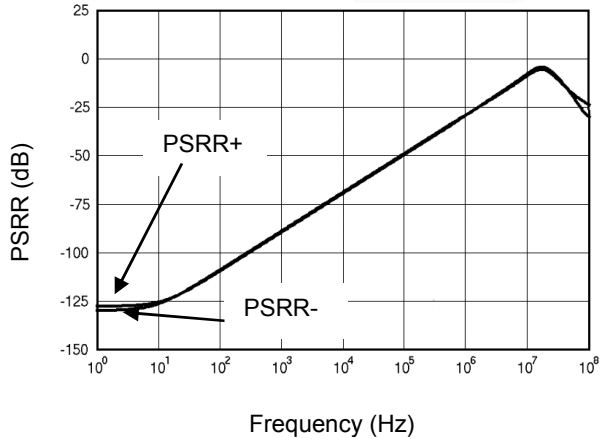
Open Loop Gain, Phase Shift vs. Frequency



CMRR vs. Frequency



PSRR vs. Frequency



## Application Note

### Size

LMV72X series op amps are unity-gain stable and suitable for a wide range of general-purpose applications. The small footprints of the LMV72X series packages save space on printed circuit boards and enable the design of smaller electronic products.

### Power Supply Bypassing and Board Layout

LMV72X series operates from a single 2.1V to 5.5V supply or dual  $\pm 1.05\text{V}$  to  $\pm 2.75\text{V}$  supplies. For best performance, a  $0.1\mu\text{F}$  ceramic capacitor should be placed close to the  $V_{\text{DD}}$  pin in single supply operation. For dual supply operation, both  $V_{\text{DD}}$  and  $V_{\text{SS}}$  supplies should be bypassed to ground with separate  $0.1\mu\text{F}$  ceramic capacitors.

### Low Supply Current

The low supply current (typical  $1.1\text{mA}$  per channel) of LMV72X series will help to maximize battery life. They are ideal for battery powered systems.

### Operating Voltage

LMV72X series operate under wide input supply voltage (2.1V to 5.5V). In addition, all temperature specifications apply from  $-40^\circ\text{C}$  to  $+125^\circ\text{C}$ . Most behavior remains unchanged throughout the full operating voltage range. These guarantees ensure operation throughout the single Li-Ion battery lifetime.

### Rail-to-Rail Input

The input common-mode range of LMV72X series extends  $100\text{mV}$  beyond the supply rails ( $V_{\text{SS}}-0.1\text{V}$  to  $V_{\text{DD}}+0.1\text{V}$ ). This is achieved by using complementary input stage. For normal operation, inputs should be limited to this range.

### Rail-to-Rail Output

Rail-to-Rail output swing provides maximum possible dynamic range at the output. This is particularly important when operating in low supply voltages. The output voltage of LMV72X series can typically swing to less than  $2\text{mV}$  from supply rail in light resistive loads ( $>100\text{k}\Omega$ ), and  $15\text{mV}$  of supply rail in moderate resistive loads ( $10\text{k}\Omega$ ).

### Capacitive Load Tolerance

The LMV72X family is optimized for bandwidth and speed, not for driving capacitive loads. Output capacitance will create a pole in the amplifier's feedback path, leading to excessive peaking and potential oscillation. If dealing with load capacitance is a requirement of the application, the two strategies to consider are (1) using a small resistor in series with the amplifier's output and the load capacitance and (2) reducing the bandwidth of the amplifier's feedback loop by increasing the overall noise gain. Figure 2. shows a unity gain follower using the series resistor strategy. The resistor isolates the output from the capacitance and, more importantly, creates a zero in the feedback path that compensates for the pole created by the output capacitance.

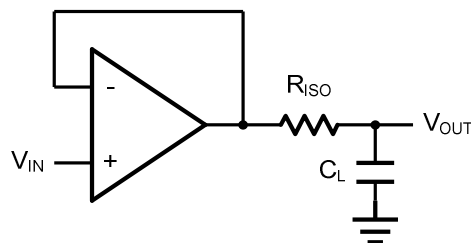


Figure 2. Indirectly Driving a Capacitive Load Using Isolation Resistor

The bigger the  $R_{\text{ISO}}$  resistor value, the more stable  $V_{\text{OUT}}$  will be. However, if there is a resistive load  $R_{\text{L}}$  in parallel with the capacitive load, a voltage divider (proportional to  $R_{\text{ISO}}/R_{\text{L}}$ ) is formed, this will result in a gain error.

The circuit in Figure 3 is an improvement to the one in Figure 2.  $R_{\text{F}}$  provides the DC accuracy by feed-forward the  $V_{\text{IN}}$  to  $R_{\text{L}}$ .  $C_{\text{F}}$

and  $R_{ISO}$  serve to counteract the loss of phase margin by feeding the high frequency component of the output signal back to the amplifier's inverting input, thereby preserving the phase margin in the overall feedback loop. Capacitive drive can be increased by increasing the value of  $C_F$ . This in turn will slow down the pulse response.

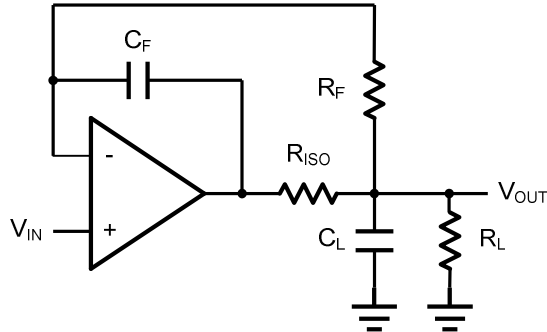


Figure 3. Indirectly Driving a Capacitive Load with DC Accuracy



## Typical Application Circuits

### Differential amplifier

The differential amplifier allows the subtraction of two input voltages or cancellation of a signal common the two inputs. It is useful as a computational amplifier in making a differential to single-end conversion or in rejecting a common mode signal. Figure 4. shown the differential amplifier using LMV72X.

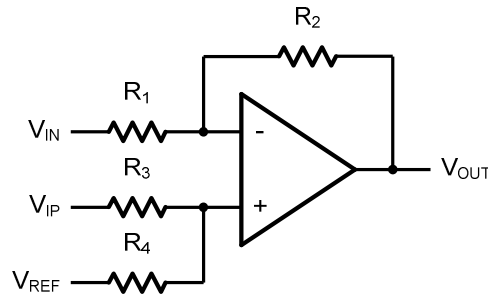


Figure 4. Differential Amplifier

$$V_{OUT} = \left(\frac{R_1+R_2}{R_3+R_4}\right) \frac{R_4}{R_1} V_{IN} - \frac{R_2}{R_1} V_{IP} + \left(\frac{R_1+R_2}{R_3+R_4}\right) \frac{R_3}{R_1} V_{REF}$$

If the resistor ratios are equal (i.e.  $R_1=R_3$  and  $R_2=R_4$ ), then

$$V_{OUT} = \frac{R_2}{R_1} (V_{IP} - V_{IN}) + V_{REF}$$

### Low Pass Active Filter

The low pass active filter is shown in Figure 5. The DC gain is defined by  $-R_2/R_1$ . The filter has a -20dB/decade roll-off after its corner frequency  $f_c=1/(2\pi R_3 C_1)$ .

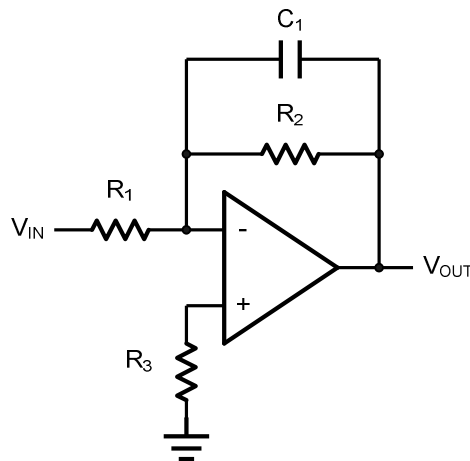


Figure 5. Low Pass Active Filter

### Instrumentation Amplifier

The triple LMV72X can be used to build a three-op-amp instrumentation amplifier as shown in Figure 6. The amplifier in Figure 6 is a high input impedance differential amplifier with gain of  $R_2/R_1$ . The two differential voltage followers assure the high input impedance of the amplifier.

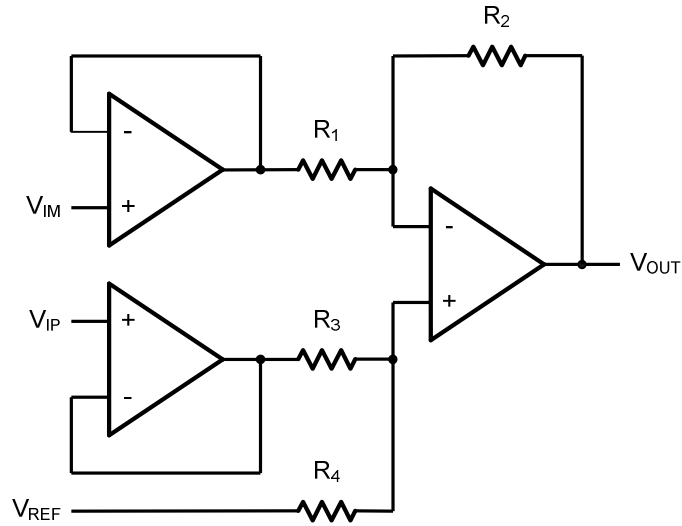


Figure 6. Instrument Amplifier

**Package Information**

SOP8

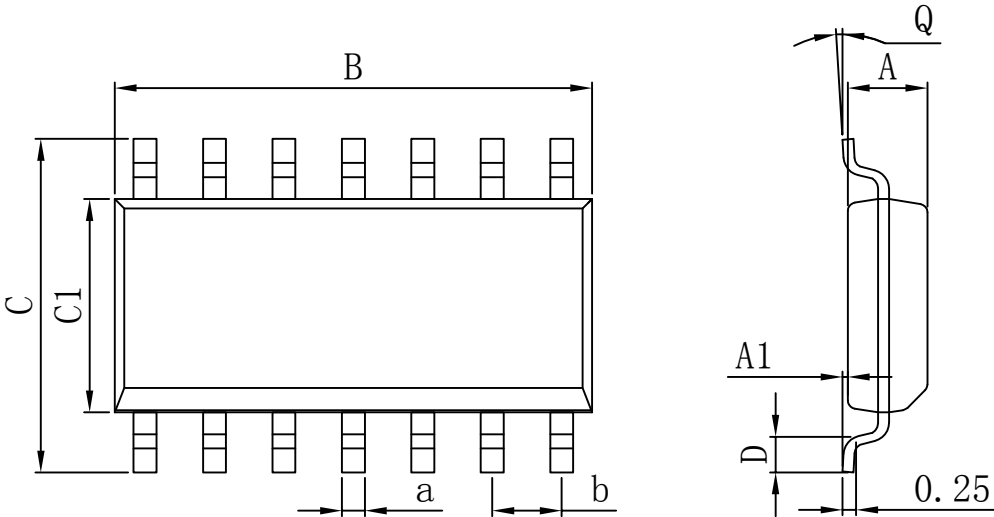
Dimensions In Millimeters					
Symbol :	Min :	Max :	Symbol :	Min :	Max :
A	1.225	1.570	D	0.400	0.950
A1	0.100	0.250	Q	0°	8°
B	4.800	5.100	a	0.420 TYP	
C	5.800	6.250	b	1.270 TYP	
C1	3.800	4.000			

MSOP8

Dimensions In Millimeters					
Symbol :	Min :	Max :	Symbol :	Min :	Max :
A	0.800	1.200	E1	4.700	5.100
A1	0	0.200	L	0.410	0.650
A2	0.760	0.970	θ	0°	6°
D	2.900	3.100	b	0.300 TYP	
E	2.900	3.100	e	0.650 TYP	

**Package Information**

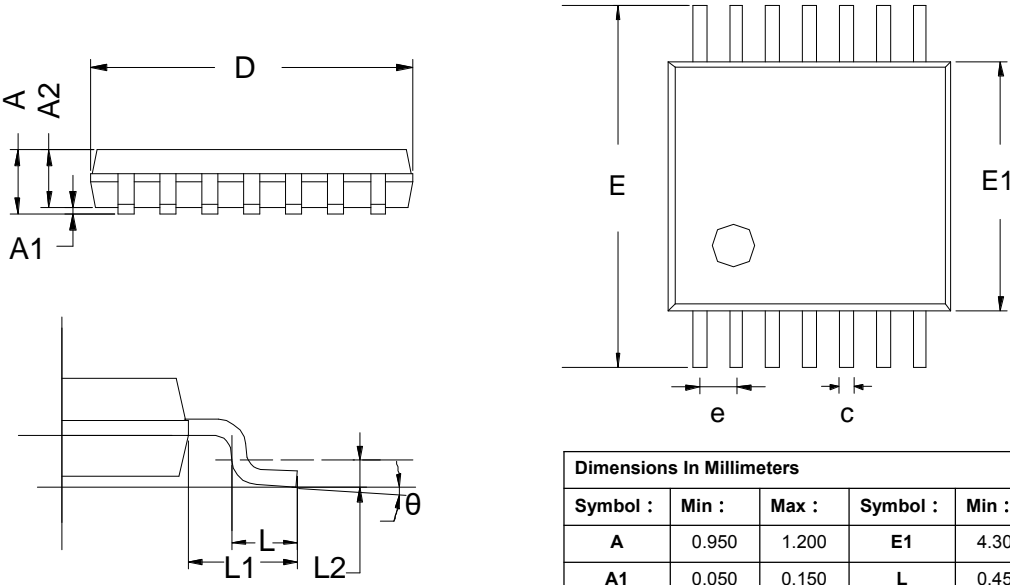
SOP14



The diagram shows the SOP14 package with dimensions B, C, C1, a, b, A, A1, D, Q, and 0.25. It includes a top view and a side view of the lead.

Dimensions In Millimeters					
Symbol :	Min :	Max :	Symbol :	Min :	Max :
A	1.225	1.570	D	0.400	0.950
A1	0.100	0.250	Q	0°	8°
B	8.500	9.000	a	0.420 TYP	
C	5.800	6.250	b	1.270 TYP	
C1	3.800	4.000			

TSSOP14



The diagram shows the TSSOP14 package with dimensions A, A1, A2, D, E, E1, e, c, L1, L2, and θ. It includes a top view, a side view, and a lead profile view.

Dimensions In Millimeters					
Symbol :	Min :	Max :	Symbol :	Min :	Max :
A	0.950	1.200	E1	4.300	4.500
A1	0.050	0.150	L	0.450	0.750
A2	0.800	1.000	θ	0°	8°
B	0.200	0.280	e	0.650 BSC	
C	0.100	0.190	L1	1.000 REF	
D	4.860	5.060	L2	1.250 BSC	
E	6.200	6.600			

**Package Information**

SOT23-5

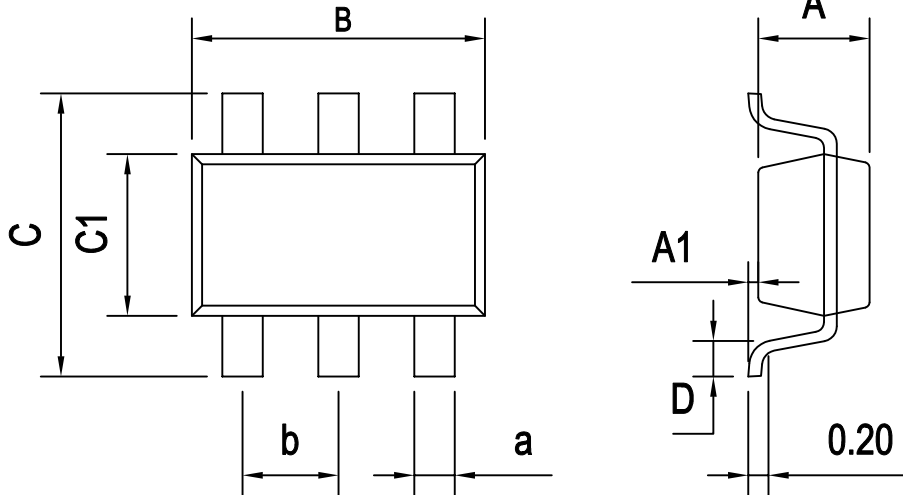
Dimensions In Millimeters					
Symbol :	Min :	Max :	Symbol :	Min :	Max :
A	1.050	1.150	D	0.300	0.600
A1	0.000	0.100	Q	0°	8°
B	2.820	3.020	a	0.400 TYP	
C	2.650	2.950	b	0.950 TYP	
C1	1.500	1.700	e	1.900 TYP	

SC70-5

Dimensions In Millimeters					
Symbol :	Min :	Max :	Symbol :	Min :	Max :
A	0.900	1.000	D	0.260	0.460
A1	0.000	0.100	Q	0°	8°
B	2.000	2.200	a	0.250 TYP	
C	2.150	2.450	b	0.650 TYP	
C1	1.150	1.350	e	1.300 TYP	

**Package Information**

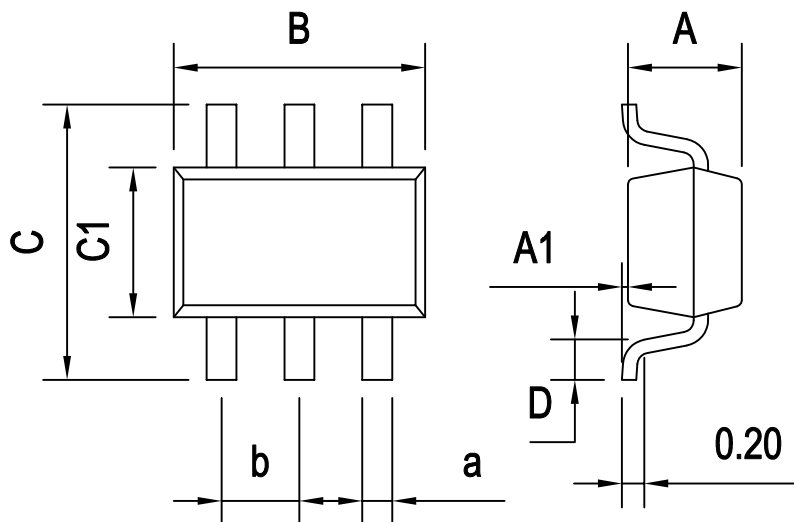
SOT23-6



Dimensions In Millimeters

Symbol :	Min :	Max :	Symbol :	Min :	Max :
A	1.050	1.150	D	0.300	0.600
A1	0.000	0.100	Q	0°	8°
B	2.820	3.020	a	0.400 TYP	
C	2.650	2.950	b	0.950 TYP	
C1	1.500	1.700			

SC70-6



Dimensions In Millimeters

Symbol :	Min :	Max :	Symbol :	Min :	Max :
A	0.900	1.000	D	0.260	0.460
A1	0.000	0.100	Q	0°	8°
B	2.000	2.200	a	0.250 TYP	
C	2.150	2.450	b	0.650 TYP	
C1	1.150	1.350			

## Important statement:

Huaguan Semiconductor Co.,Ltd. reserves the right to change the products and services provided without notice. Customers should obtain the latest relevant information before ordering, and verify the timeliness and accuracy of this information.

Customers are responsible for complying with safety standards and taking safety measures when using our products for system design and machine manufacturing to avoid potential risks that may result in personal injury or property damage.

Our products are not licensed for applications in life support, military, aerospace, etc., so we do not bear the consequences of the application of these products in these fields.

Huaguan Semiconductor Co.,Ltd. the performance of the semiconductor products produced by the company can reach the performance indicators that can be applied at the time of sales. the use of testing and other quality control technologies is limited to the quality assurance scope of Huaguan semiconductor. Not all parameters of each device need to be tested. The above documents are for reference only, and all are subject to the physical parameters.

Our documentation is only permitted to be copied without any tampering with the content, so we do not accept any responsibility or liability for the altered documents.

## X-ON Electronics

Largest Supplier of Electrical and Electronic Components

*Click to view similar products for [Operational Amplifiers - Op Amps](#) category:*

*Click to view products by [HGSEMI](#) manufacturer:*

Other Similar products are found below :

[430227FB](#) [LT1678IS8](#) [NCV33202DMR2G](#) [NJM324E](#) [M38510/13101BPA](#) [NTE925](#) [AZV358MTR-G1](#) [AP4310AUMTR-AG1](#)  
[AZV358MMTR-G1](#) [SCY33178DR2G](#) [NCV20034DR2G](#) [NTE778S](#) [NTE871](#) [NTE937](#) [NJU7057RB1-TE2](#) [SCY6358ADR2G](#)  
[NJM2904CRB1-TE1](#) [UPC4570G2-E1-A](#) [UPC4741G2-E1-A](#) [NJM8532RB1-TE1](#) [EL2250CS](#) [EL5100IS](#) [EL5104IS](#) [EL5127CY](#) [EL5127CYZ](#)  
[EL5133IW](#) [EL5152IS](#) [EL5156IS](#) [EL5162IS](#) [EL5202IY](#) [EL5203IY](#) [EL5204IY](#) [EL5210CS](#) [EL5210CYZ](#) [EL5211IYE](#) [EL5220CY](#)  
[EL5223CLZ](#) [EL5223CR](#) [EL5224ILZ](#) [EL5227CLZ](#) [EL5227CRZ](#) [EL5244CS](#) [EL5246CS](#) [EL5246CSZ](#) [EL5250IY](#) [EL5251IS](#) [EL5257IS](#)  
[EL5260IY](#) [EL5261IS](#) [EL5300IU](#)