

SOD123 Plastic-Encapsulate Diodes

Small Signal Fast Switching Diodes

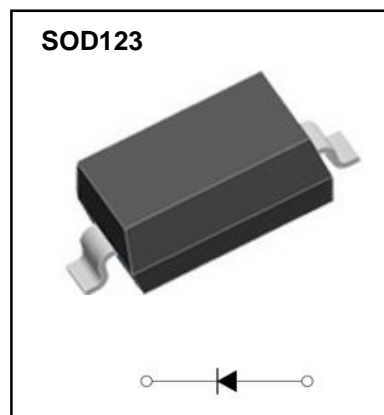
Features

- V_R 75V
- I_{FAV} 150mA
- Chip Size(0.23mm*0.23mm)

Applications

- Extreme fast switches

Marking: T4



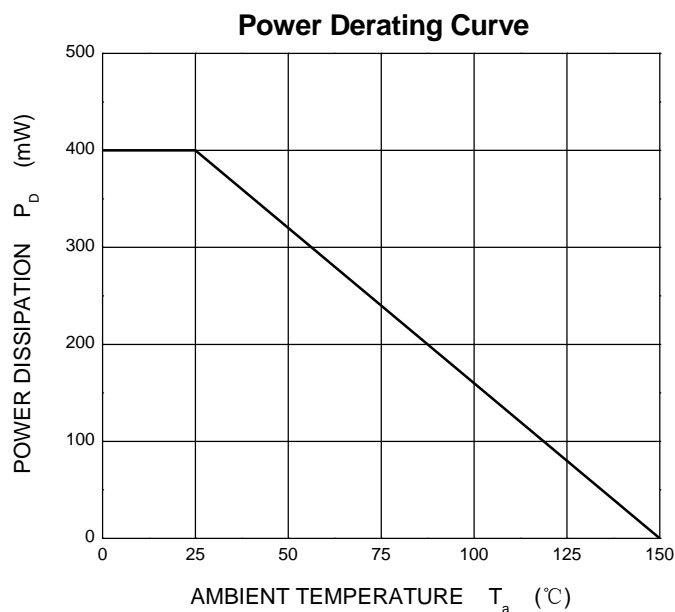
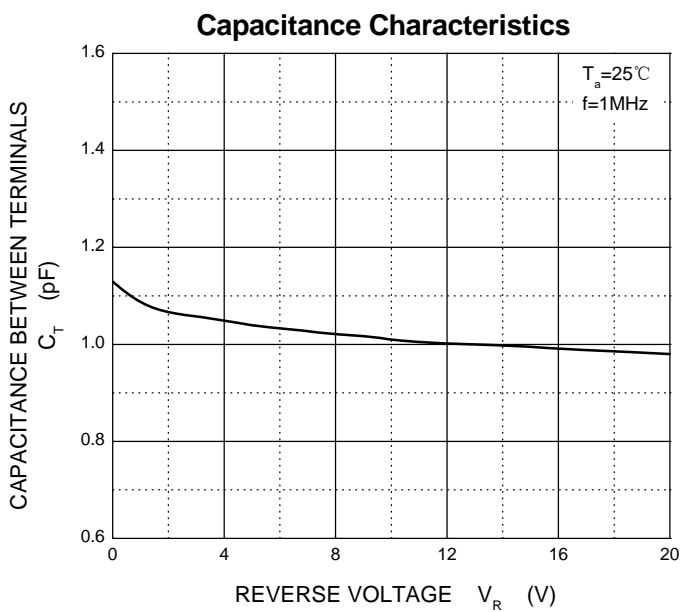
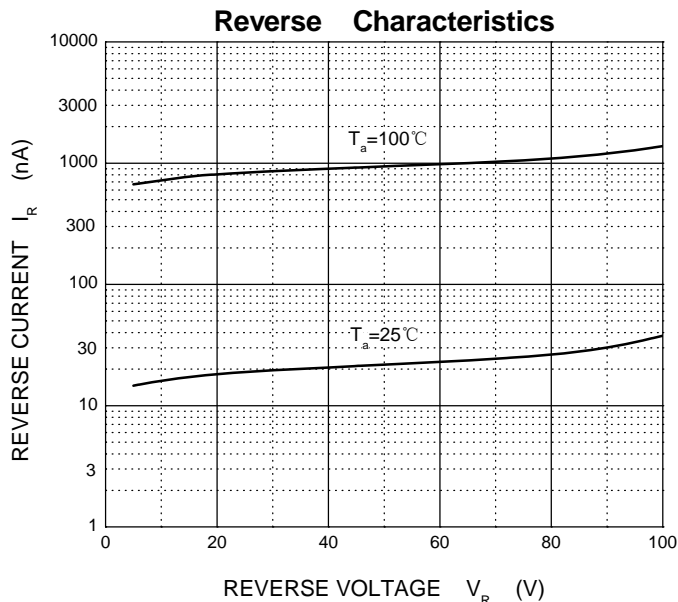
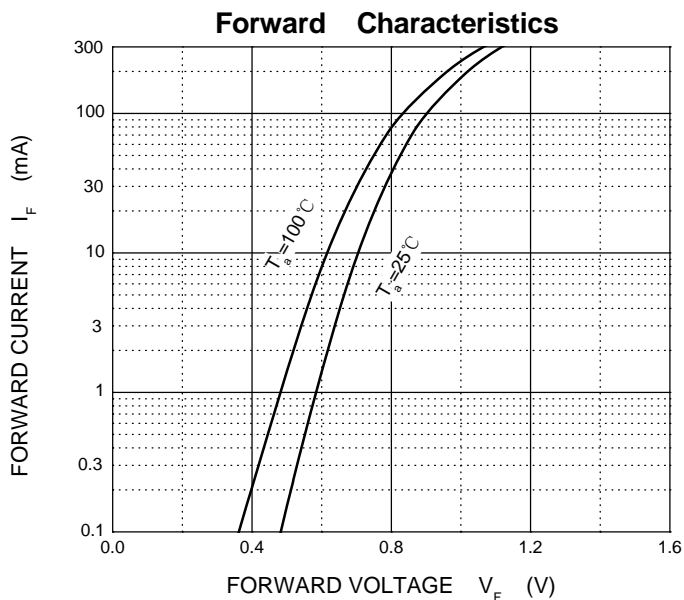
Limiting Values (Absolute Maximum Rating)

Item	Symbol	Unit	Conditions	Limit
Non-Repetitive peak reverse voltage	VRM	V		100
Peak repetitive peak reverse voltage Working peak DC Blocking voltage	VRRM	V		75
RMS Reverse voltage	VR(RMS)	V		53
Forward continuous current	IFM	mA		300
Average rectified output current	IO	mA		150
Peak forward current	IFSM	A	Pulse width=1 us Pulse width=1 s	2.0 1.0
Power dissipation	PD	mW		400
Thermal resistance junction to ambient	$R_{\theta JA}$	K/W		250
Junction temperature	TJ	°C		150
Storage temperature	TSTG	°C		-65 to +150

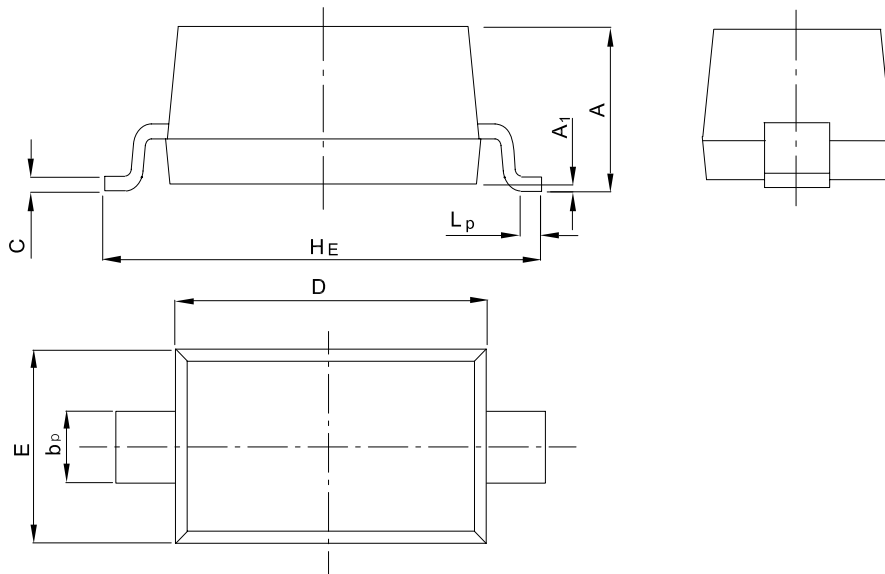
Electrical Characteristics ($T_A=25^\circ\text{C}$ unless otherwise noted)

Item	Symbol	Unit	Conditions	Min	Max
Forward Voltage	VF	V	IF=1.0mA		0.715
			IF=10mA		0.855
			IF=50mA		1.0
			IF=150mA		1.25
Reverse Leakage Current	IR1	nA	VR=20V		25
	IR2	uA	VR=75V		1
Capacitance	CT	pF	VR=0V,f=1MHz		2
Reverse Recovery Time	trr	ns	IF=IR=10mA, Irr=0.1*IR, RL=100Ω		4.0

Typical Characteristics

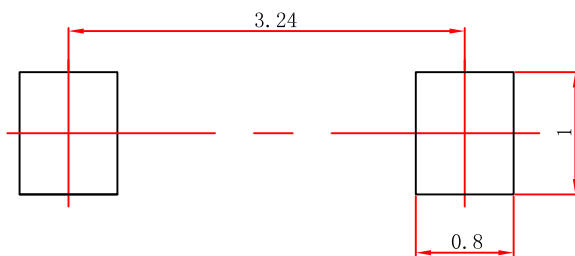


SOD-123 Package Outline Dimensions



UNIT	A	b _p	C	D	E	H _E	A ₁	L _p
mm	1.20 0.90	0.60 0.50	0.135 0.100	2.75 2.55	1.65 1.55	3.85 3.55	0.10 0.01	0.50 0.20

SOD-123 Suggested Pad Layout



Note:

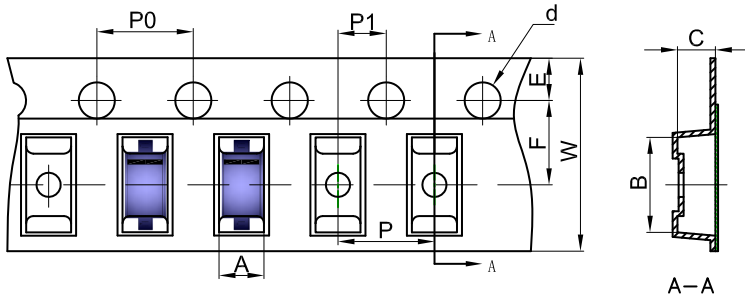
1. Controlling dimension: in millimeters.
2. General tolerance: ± 0.05 mm.
3. The pad layout is for reference purposes only.

NOTICE

JSHD reserve the right to make modifications, enhancements, improvements, corrections or other changes without further notice to any product herein. JSHD does not assume any liability arising out of the application or use of any product described herein.

Reel Taping Specifications For Surface Mount Devices-SOD123

SOD-123 Embossed Carrier Tape



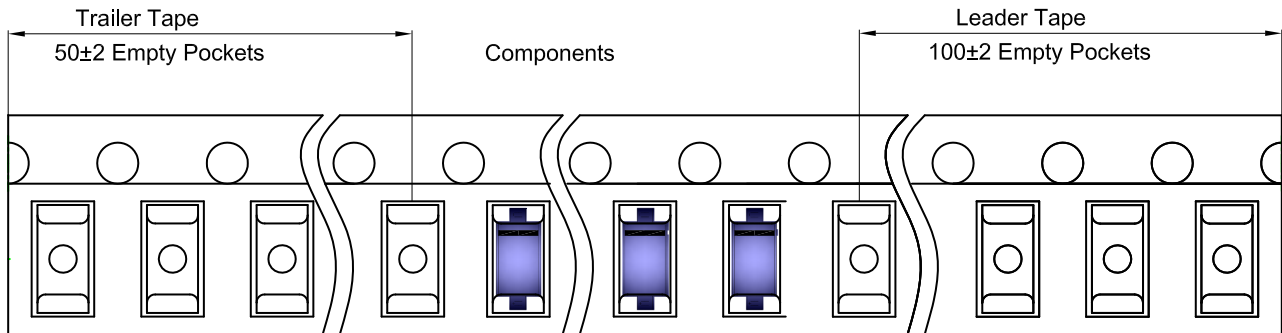
Packaging Description:

SOD-123 parts are shipped in tape. The carrier tape is made from a dissipative (carbon filled) polycarbonate resin. The cover tape is a multilayer film (Heat Activated Adhesive in nature) primarily composed of polyester film, adhesive layer, sealant, and anti-static sprayed agent. These reeled parts in standard option are shipped with 3,000 units per 7" or 17.8cm diameter reel. The reels are clear in color and is made of polystyrene plastic (anti-static coated).

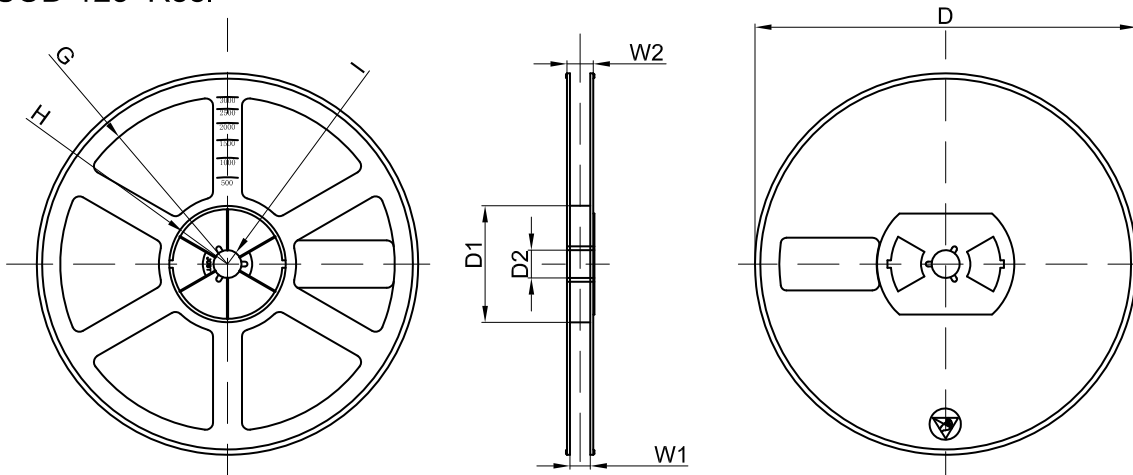
Dimensions are in millimeter

Pkg type	A	B	C	d	E	F	P0	P	P1	W
SOD-123	1.85	3.95	1.57	Ø1.55	1.75	3.50	4.00	4.00	2.00	8.00

SOD-123 Tape Leader and Trailer



SOD-123 Reel



Dimensions are in millimeter

Reel Option	D	D1	D2	G	H	I	W1	W2
7" Dia	Ø178.00	54.40	13.00	R78.00	R25.60	R6.50	9.50	12.30

REEL	Reel Size	Box	Box Size(mm)	Carton	Carton Size(mm)	G.W.(kg)
3000 pcs	7 inch	45,000 pcs	203×203×195	180,000 pcs	438×438×220	

X-ON Electronics

Largest Supplier of Electrical and Electronic Components

Click to view similar products for [Diodes - General Purpose, Power, Switching category:](#)

Click to view products by [High Diode manufacturer:](#)

Other Similar products are found below :

[MCL4151-TR3](#) [MMBD3004S-13-F](#) [RD0306T-H](#) [RD0506LS-SB-1H](#) [RGP30G-E373](#) [DSE010-TR-E](#) [BAQ333-TR](#) [BAQ335-TR](#) [BAQ33-GS18](#) [BAS1602VH6327XT](#) [BAV17-TR](#) [BAV19-TR](#) [BAV301-TR](#) [BAW27-TAP](#) [HSC285TRF-E](#) [NSVBAV23CLT1G](#) [NTE525](#) [1SS181-TP](#) [1SS184-TP](#) [1SS193,LF](#) [1SS193-TP](#) [1SS400CST2RA](#) [SBAV99LT3G](#) [SDAA13](#) [LL4448-GS18](#) [SHN2D02FUTW1T1G](#) [LS4150GS18](#) [LS4151GS08](#) [SMMD7000LT3G](#) [FC903-TR-E](#) [1N4449](#) [1N4934-E3/73](#) [1SS226-TP](#) [APT100DL60HJ](#) [RFUH20TB3S](#) [RGP30G-E354](#) [RGP30M-E3/73](#) [D291S45T](#) [MCL4151-TR](#) [BAS 16-02V H6327](#) [BAS 21U E6327](#) [BAS 28 E6327](#) [BAS33-TAP](#) [BAS 70-02V H6327](#) [BAV300-TR](#) [BAV303-TR3](#) [BAW27-TR](#) [BAW56DWQ-7-F](#) [BAW56M3T5G](#) [BAW75-TAP](#)