

## SOD323 Plastic-Encapsulate Diodes

### Schottky Rectifier

#### Features

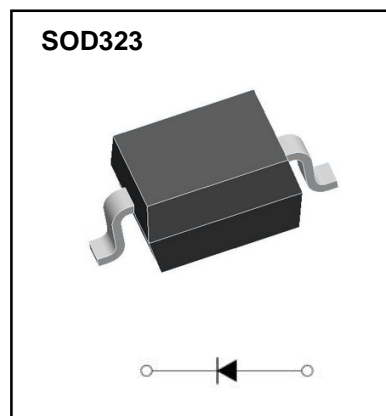
- $V_R$  20V-40V
- $I_O$  1A

#### Applications

- Low Voltage Rectification
- Low Power Consumption Applications
- High Efficiency DC/DC Conversion

#### Marking

- B5817WS:SJ
- B5818WS:SK
- B5819WS:SL



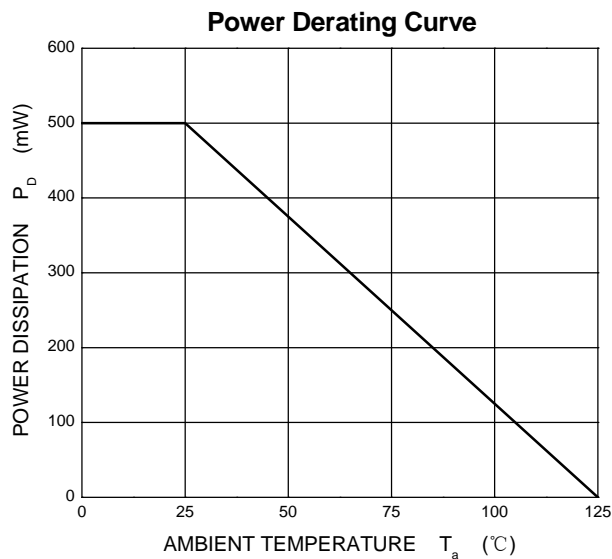
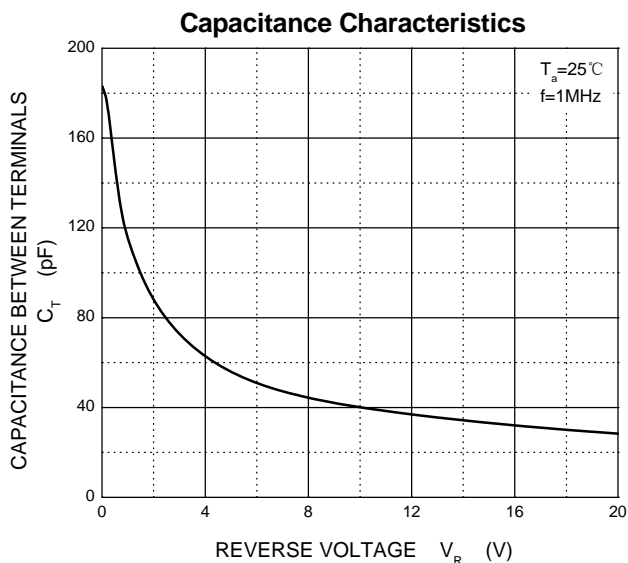
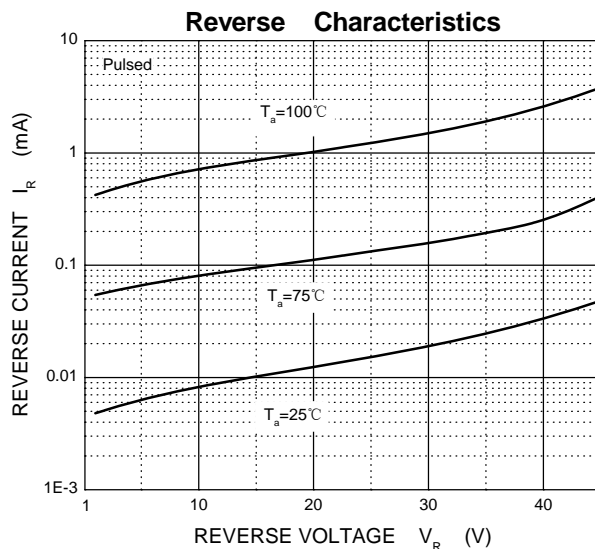
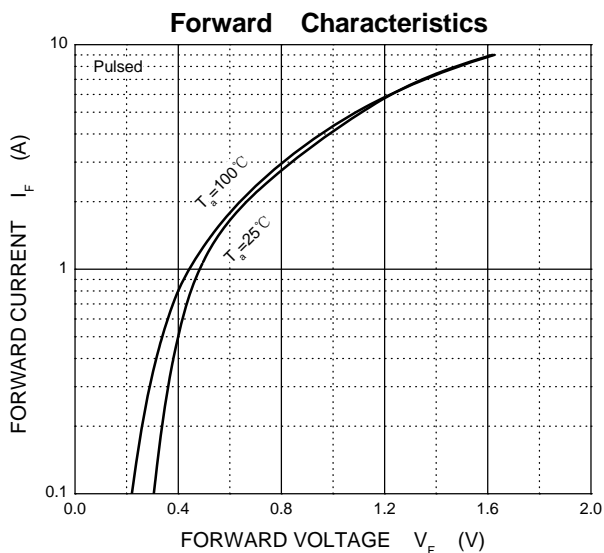
#### Limiting Values (Absolute Maximum Rating)

Parameter	Symbol	B5817WS	B5818WS	B5819WS	Unit
Non-Repetitive Peak Reverse Voltage	$V_{RM}$	20	30	40	V
Peak Repetitive Peak Reverse Voltage	$V_{RRM}$	20	30	40	V
Working Peak Reverse Voltage	$V_{RWM}$				
DC Blocking Voltage	$V_R$				
RMS Reverse Voltage	$V_{R(RMS)}$	14	21	28	V
Average Rectified Output Current	$I_O$	1			A
Non-repetitive Peak Forward Surge Current @ $t=8.3ms$	$I_{FSM}$	9			A
Repetitive Peak Forward Current	$I_{FRM}$	1.5			A
Power Dissipation	$P_d$	500			mW
Thermal Resistance Junction to Ambient	$R_{\theta JA}$	400			$^{\circ}C/W$
Junction temperature	$T_J$	125			$^{\circ}C$
Storage Temperature	$T_{STG}$	-55~+150			$^{\circ}C$

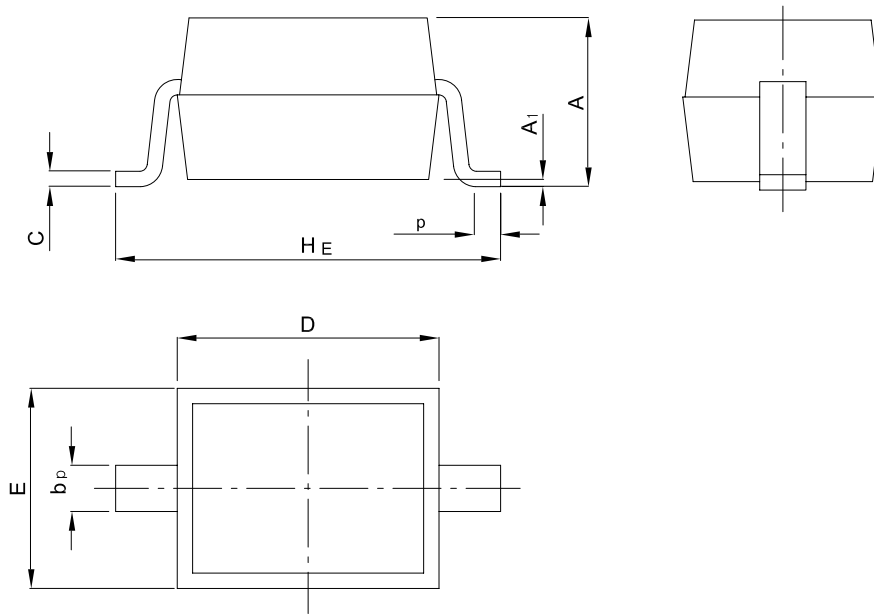
#### Electrical Characteristics ( $T_a=25^{\circ}C$ Unless otherwise specified)

Parameter	Symbol	Test conditions	Min	Max	Unit
Reverse breakdown voltage	$V_{(BR)}$	$I_R=1mA$			V
		B5817WS	20		
		B5818WS B5819WS	30 40		
Reverse voltage leakage current	$I_R$	$V_R=20V$ $V_R=30V$ $V_R=40V$	B5817WS B5818WS B5819WS	1	mA
Forward voltage	$V_F$	B5817WS	$I_F=1A$	0.45	V
			$I_F=3A$	0.75	
		B5818WS	$I_F=1A$	0.55	V
			$I_F=3A$	0.875	
		B5819WS	$I_F=1A$	0.6	V
			$I_F=3A$	0.9	
Diode capacitance	$C_D$	$V_R=4V, f=1MHz$		120	pF

# Typical Characteristics

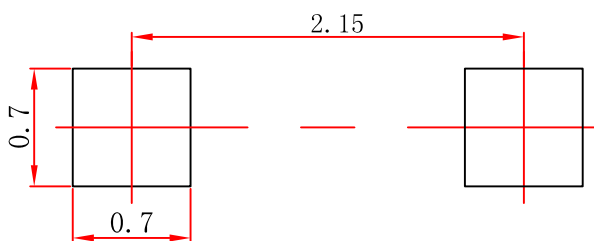


## SOD323 Package Outline Dimensions



UNIT	A	b <sub>p</sub>	C	D	E	H <sub>E</sub>	A <sub>1</sub>	L <sub>p</sub>
mm	1.20	0.40	0.15	1.80	1.35	2.80	0.10	0.50
	0.80	0.25	0.10	1.60	1.15	2.30	0.01	0.20

## SOD323 Suggested Pad Layout



### Note:

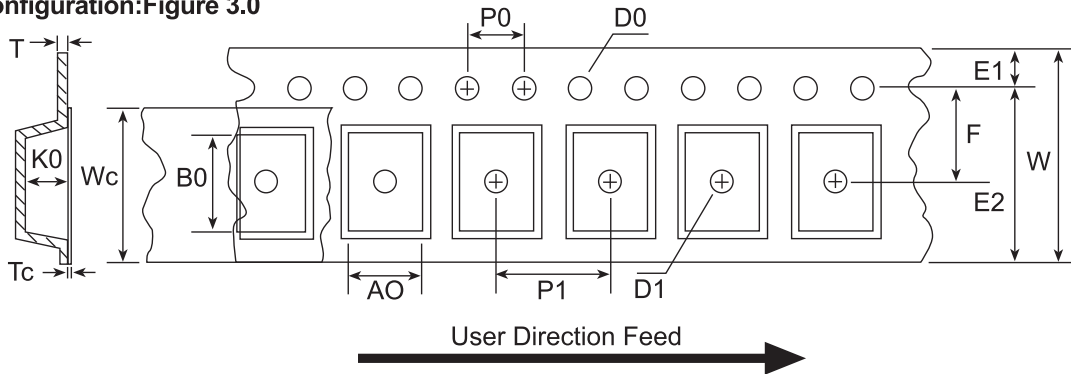
1. Controlling dimension: in millimeters.
2. General tolerance:  $\pm 0.05$  mm.
3. The pad layout is for reference purposes only.

### NOTICE

JSHD reserve the right to make modifications, enhancements, improvements, corrections or other changes without further notice to any product herein. JSHD does not assume any liability arising out of the application or use of any product described herein.

# Reel Taping Specifications For Surface Mount Devices-SOD323

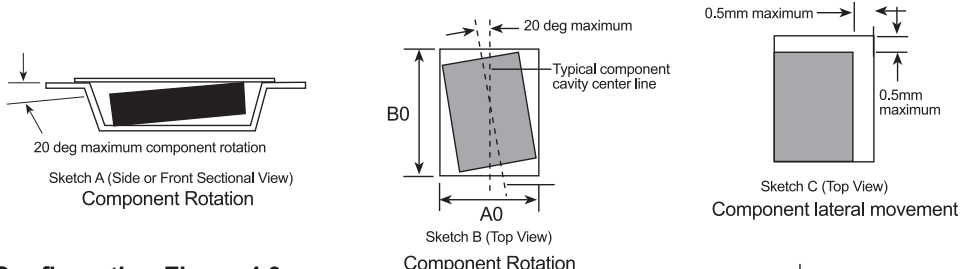
## SOD323 Embossed Carrier Tape Configuration: Figure 3.0



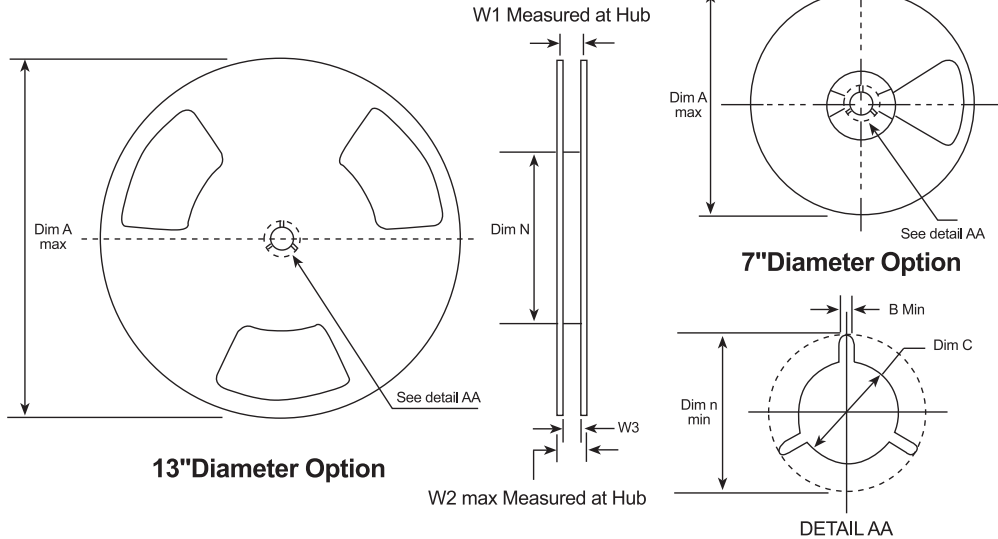
Dimensions are millimeter

Pkg type	A0	B0	W	D0	D1	E1	E2	F	P1	P0	K0	T	Wc	Tc
SOD323 (8mm)	1.46 +/-0.10	2.9 +/-0.10	8.0 +/-0.3	1.50 +/-0.125	1.125 +/-0.125	1.75 +/-0.10	6.25 min	3.50 +/-0.05	4.0 +/-0.10	4.0 +/-0.10	1.25 +/-0.10	0.25 +/-0.020	5.2 +/-0.20	0.06 +/-0.02

Notes: A0, B0 and K0 dimensions are determined with respect to the EW Jedec RS-481 rotational and lateral movement requirements (see sketches A, B and C).



## SOD323 Reel Configuration: Figure 4.0



Dimensions are in inches and millimeter

Type Size	Reel Option	Dim A	Dim B	Dim C	Dim D	Dim N	Dim W1	Dim W2	Dim W3 (LSL-USL)
8mm	7" Dia	7.00 177.8	0.059 1.5	512+0.020/-0.008 13+0.5/-0.2	0.795 20.0	2.165 55	0.331+0.059/-0.000 8.4+1.5/0	0.567 14.4	0.311-0.429 7.9-10.9
8mm	13" Dia	13.00 330	0.059 1.5	512+0.020/-0.008 13+0.5/-0.2	0.795 20.0	4.00 100	0.331+0.059/-0.000 8.4+1.5/0	0.567 14.4	0.311-0.429 7.9-10.9

## X-ON Electronics

Largest Supplier of Electrical and Electronic Components

*Click to view similar products for [Schottky Diodes & Rectifiers](#) category:*

*Click to view products by [High Diode](#) manufacturer:*

Other Similar products are found below :

[CUS06\(TE85L,Q,M\)](#) [MA4E2039](#) [D1FH3-5063](#) [MBR0530L-TP](#) [MBR10100CT-BP](#) [MBR30H100MFST1G](#) [MMBD301M3T5G](#) [PMAD1103-LF](#) [PMAD1108-LF](#) [RB160M-50TR](#) [RB520S-30](#) [RB551V-30](#) [DD350N18K](#) [DZ435N40K](#) [DZ600N16K](#) [BAS16E6433HTMA1](#) [BAS 3010S-02LRH E6327](#) [BAT 54-02LRH E6327](#) [IDL02G65C5XUMA1](#) [NSR05F40QNXT5G](#) [NSVR05F40NXT5G](#) [JANS1N6640](#) [SB07-03C-TB-H](#) [SB1003M3-TL-W](#) [SBAT54CWT1G](#) [SBM30-03-TR-E](#) [SBS818-TL-E](#) [SK32A-LTP](#) [SK33A-TP](#) [SK34A-TP](#) [SK34B-TP](#) [SMD1200PL-TP](#) [ACDBN160-HF](#) [SS3003CH-TL-E](#) [STPS30S45CW](#) [PDS3100Q-7](#) [GA01SHT18](#) [CRS10I30A\(TE85L,QM\)](#) [MBR1240MFST1G](#) [MBRB30H30CT-1G](#) [BAS28E6433HTMA1](#) [BAS 70-02L E6327](#) [HSB123JTR-E](#) [JANTX1N5712-1](#) [VS-STPS40L45CW-N3](#) [DD350N12K](#) [SB007-03C-TB-E](#) [SB10015M-TL-E](#) [SB1003M3-TL-E](#) [SK110-LTP](#)