

# LIMIT SWITCH

## Features

- High precision and metal die-casting body.
- Easy to wire connection construction.
- High mechanical strength.
- Dust-proof construction.



## Specifications

Item	Standard
Rating	5A, 125V or 250VAC
Contact Resistance	25mΩ max.(initial)
Insulation Resistance	100MΩ min. (at 500VDC)
Dielectric Strength	1,000VAC,50/60Hz for 1 minute
Service Life Mechanically:	1,000,000 operations min.
Service Life Electrically	100,000 operations min.

## Product Selection

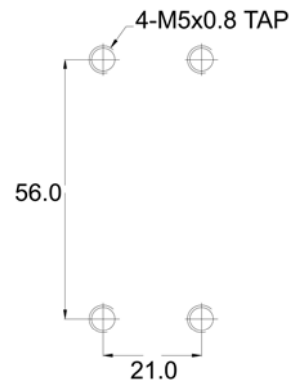
AH

1

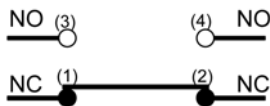
### HEAD AND ACTUATOR

- 8111:** Push plunger type
- 8112:** Roller plunger type
- 8122:** Roller plunger type angle 90°
- 8104:** Roller arm type
- 8107:** Rod lever type
- 8108:** Adjustable roller arm type (standard roller)
- 8166:**Thermoplastic end flexible rod type
- 8169:**Cat whisker type
- 9101:**Wobble opening

## Mounting Hole



## Contact Configuration



HIGHLY

C5

Design, specifications are subject to change without notice.

# LIMIT SWITCH

## Operating Characteristics

Unit :mm

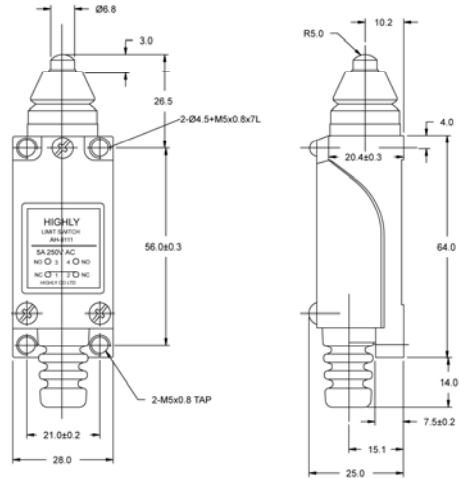
### Item NO.

### Dimensions

#### AH8111



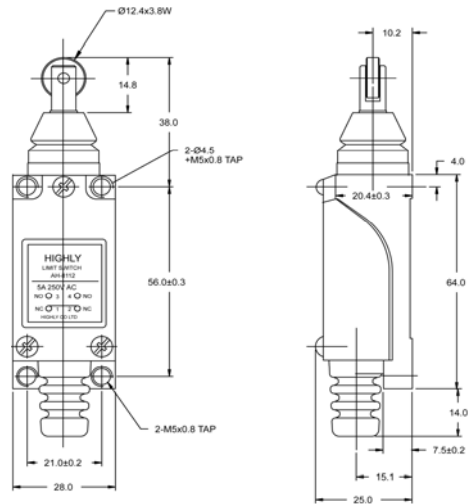
OF max.	900g
RF min.	150g
PT max.	1.5mm
MD max.	0.7mm
OT min.	4mm
TT min.	5.5mm



#### AH8112



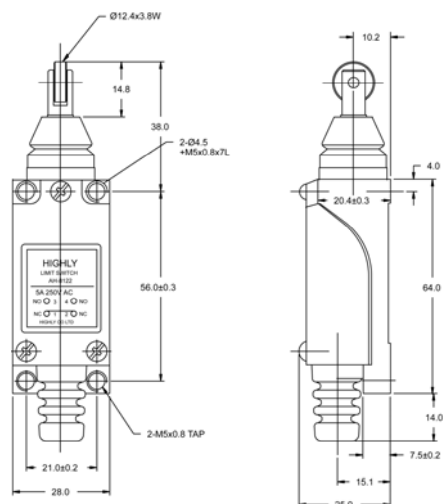
OF max.	900g
RF min.	150g
PT max.	1.5mm
MD max.	0.7mm
OT min.	4mm
TT min.	5.5mm



#### AH8122



OF max.	900g
RF min.	150g
PT max.	1.5mm
MD max.	0.7mm
OT min.	4mm
TT min.	5.5mm



# LIMIT SWITCH

## Operating Characteristics

Unit :mm

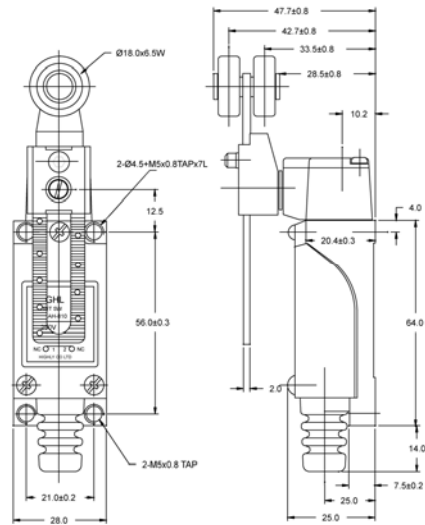
### Item NO.

### Dimensions

#### AH8104



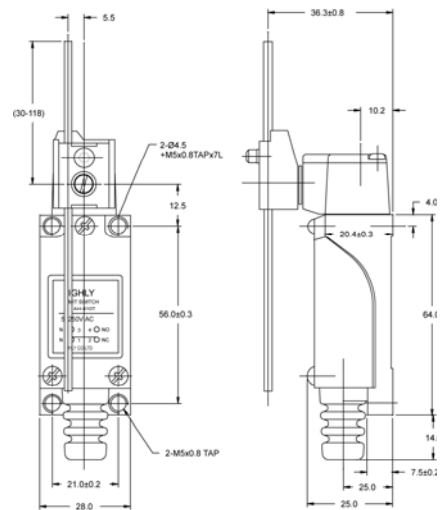
OF max.	600g
RF min.	50g
PT max.	20°
MD max.	10°
OT min.	75°
TT min.	95°



#### AH8107



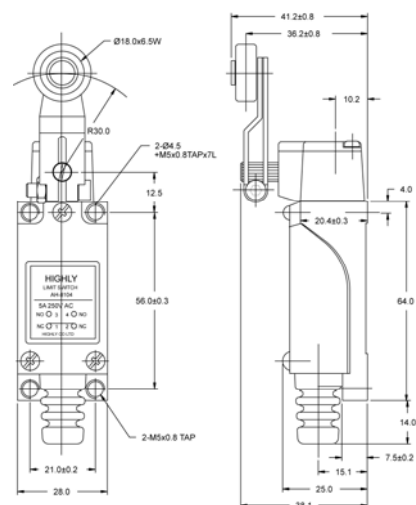
OF	800-230g
RF	50-12g
PT max.	20°
MD max.	10°
OT min.	75°
TT min.	95°



#### AH8108



OF	800-342g
RF	50-12g
PT max.	20°
MD max.	10°
OT min.	75°
TT min.	95°



C7

Design, specifications are subject to change w

# LIMIT SWITCH

## Operating Characteristics

Unit :mm

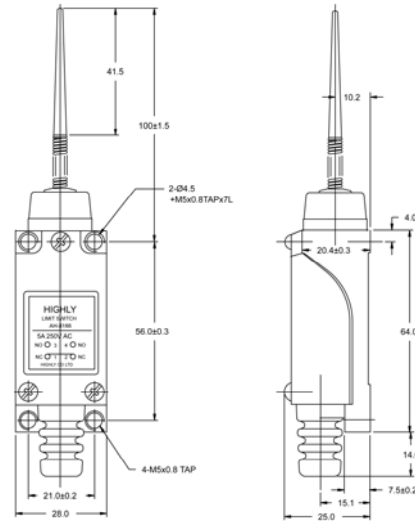
Item NO.

Dimensions

**AH-8166**



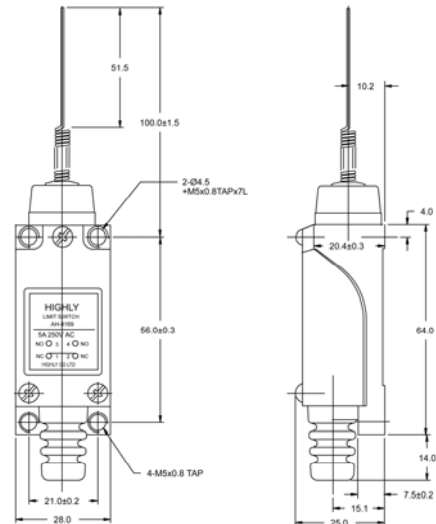
OF max.	900g
RF min.	--
PT max.	30mm
MD max.	--
OT min.	20mm
TT min.	50mm



**AH8169**



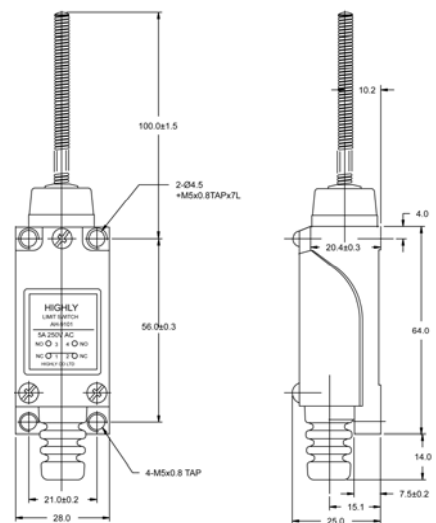
OF max.	900g
RF min.	--
PT max.	30mm
MD max.	--
OT min.	20mm
TT min.	50mm



**AH9101**



OF max.	900g
RF min.	--
PT max.	30mm
MD max.	--
OT min.	20mm
TT min.	50mm



HIGHLY

C8

Design, specifications are subject to change without notice.

## X-ON Electronics

Largest Supplier of Electrical and Electronic Components

*Click to view similar products for [Control Switches](#) category:*

*Click to view products by [Highly manufacturer](#):*

Other Similar products are found below :

[80887-99](#) [80932-99](#) [86855-00](#) [88814-30](#) [1424293-1](#) [HW4S-2TC10](#) [89721-12](#) [89804-08](#) [SSN](#) [RL01801](#) [ASD2L20N-LVO](#) [50051857-17](#)  
[50099156-001-05](#) [51.155R-15200](#) [50058920-26](#) [CP-FA51](#) [CP-FA49](#) [ACCU-SC/L-3000](#) [PP9M](#) [PP87G](#) [PP86GA](#) [PP71G](#) [PP70G](#) [PP6G](#)  
[PP62G](#) [PP58BL](#) [PP56G](#) [PP86GB](#) [PP77GA](#) [PP76G](#) [PP4M](#) [PP47G](#) [PP46G](#) [PP41M](#) [PP40G](#) [PP32G](#) [RD-20](#) [PP23M](#) [PP12G](#) [PORTAPRO](#)  
[POM-2708](#) [PNB-2005](#) [3057.0012](#) [CV-075](#) [CV-140SB](#) [CV-150](#) [CV-150S](#) [214X20XK](#) [CV-180](#) [CV-200MB](#)