

» Features

- Precise design terminal type adequate for DIP IC pitch size (multiple of 2.54mm).
- Epoxy sealing treatment, free of flux entry.
- Several LED colors options.
- Several cap legends options.
- Customized cap and legend are available.



» Applications

- Operating switches in all types of electronic equipment such as audio apparatus, office equipment, communications apparatus, TV ets, VCRs, etc.

» Specifications

Rating	0.1A 30VDC
Insulation Resistance	100MΩ Min (at 500 VDC)
Dielectric Strength	AC 500V (50/60 Hz for 1 minute)
Contact Resistance	50mΩ Max. (Initial)
Electrically Life	10,000 Cycles Min
Ambient Temperature	-10°C~ +80°C
Operating Force	150 ± 100gf (Momentary)
	250 ± 100gf (Alternate)
	200 ± 100gf (Momentary With Click)

» LED Specifications

Color	VR	IF	Recommended Operating Current	VF	
				Nor	Max
Red	DC 5V	20mA	20mA	1.7V	2.4V
Green	DC 5V	20mA	20mA	1.9V	2.4V
Yellow	DC 5V	20mA	20mA	1.9V	2.4V
Blue	DC 5V	20mA	20mA	3.0V	3.6V
White	DC 5V	20mA	20mA	3.0V	3.6V

For the specification about the other LEDs, please contact with sales department

» Product selection

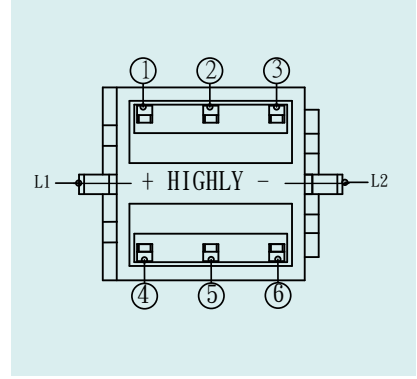
PB 613

BUTTON TYPE	FUNCTION	LED	LED BRIGHTNESS	LASER ETCHING
1F	A Alternate	- Non-LED	- Standard	01
2F	B Momentary	L LED	C High Brightness	02
3F	C Momentary with click			03
4F		FRAME	LED COLOR	04
5F		- Without	1 Red	05
6F		F With frame	2 Yellow	06
01			3 Green	07
02			4 Blue	08
03			5 White	09
04			6 Pure Green	10
05			8 Amber	
07			9 Blue Green	
			10 Pink	
			011 Purple	
			12 Red/Yellow	
			13 Red/Green	
			14 Red/Blue	
			23 Yellow/Green	
			48 Blue/Amber	
			52 White/Yellow	
			58 White/Amber	
			- Non-LED	
			CAP COLOR	
			1 Misty Silver	
			2 Bright Silver	
			3 Gold	
			4 White	
			5 Bright Black	
			6 Red	
			7 Misty Black	
			8 Sky blue	
			9 Gunmetal black	
			A Orange	

Please inquire about the details with our sales representative.

» Circuit

Type	Switch Action		
PB613A	Normal ON	Push to lock ON	
Connecting Terminal	1 - 2 4 - 5	2 - 3 5 - 6	
PB613B	Normal ON	Push (ON)	
Connecting Terminal	1 - 2 4 - 5	2 - 3 5 - 6	
LED Circuit			



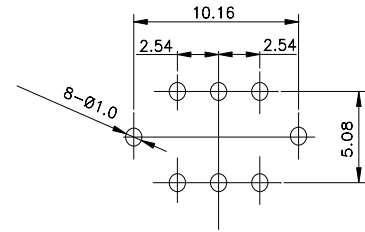
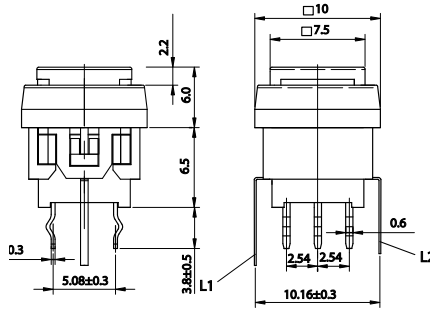
» Operating characteristics

Unit: mm

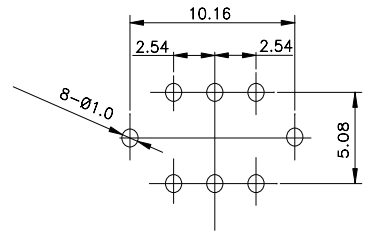
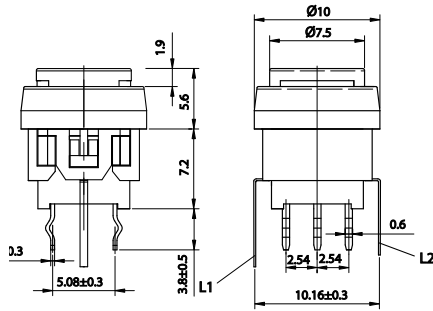
Dimensions

P.C.B Layout

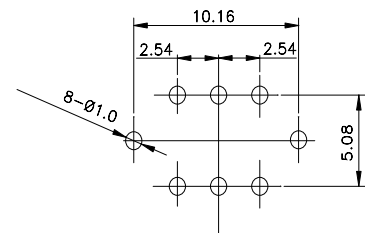
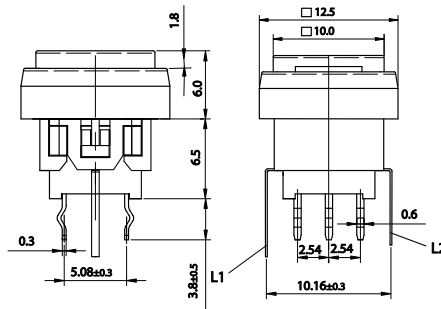
PB6131F □ L



PB6132F □ L



PB6133F □ L



PB 613 SERIES PUSH SWITCHES

ILLUMINATED

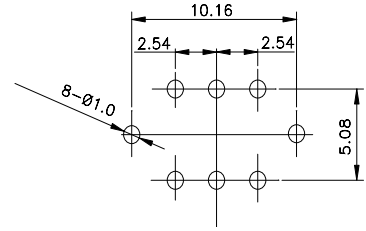
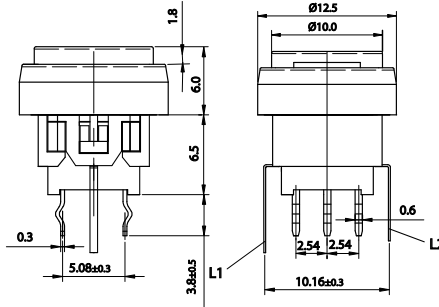
» Operating characteristics

Unit: mm

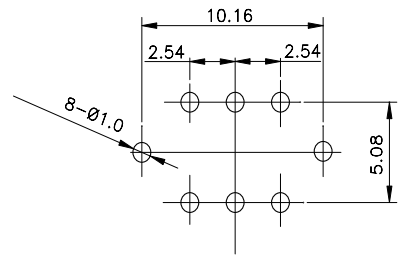
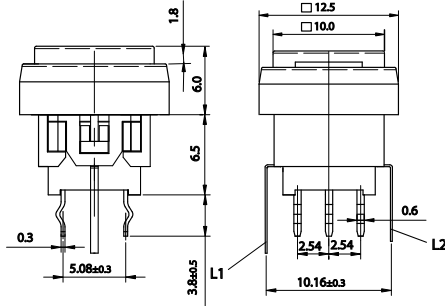
Dimensions

P.C.B Layout

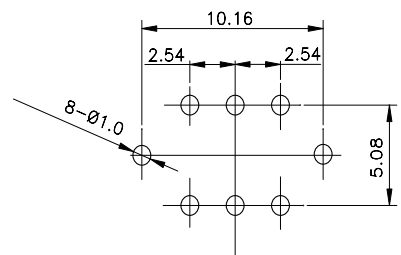
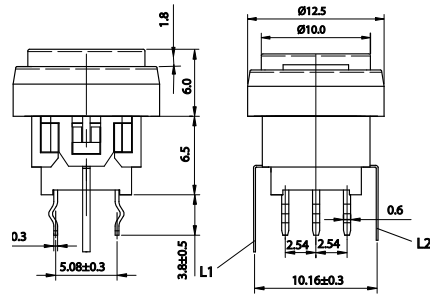
PB6134F □ L



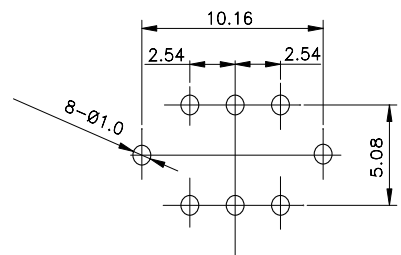
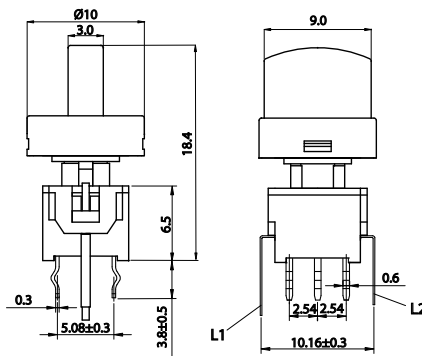
PB6135F □ L



PB6136F □ L



PB61301 □ L



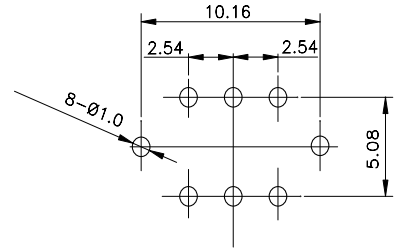
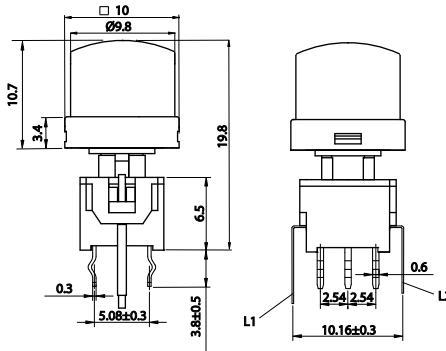
» Operating characteristics

Unit: mm

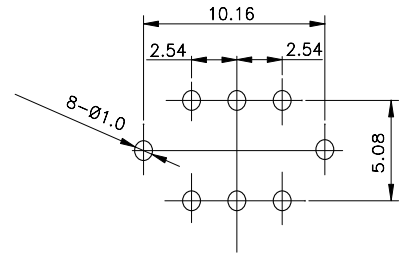
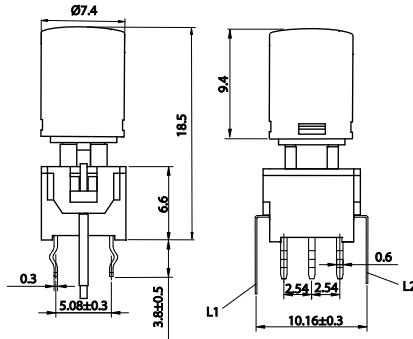
Dimensions

P.C.B Layout

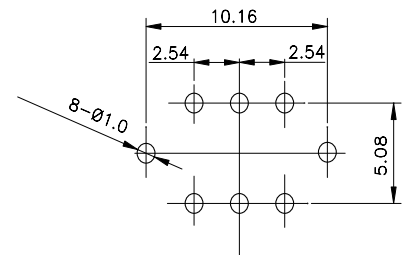
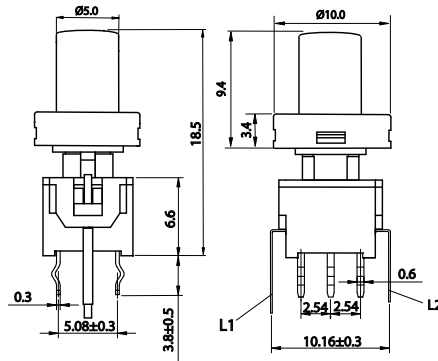
PB61302 □ L



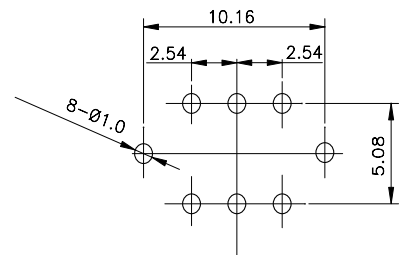
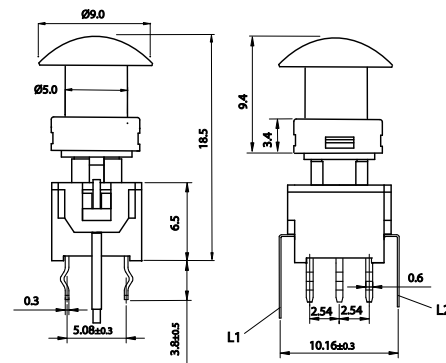
PB61303 □ L



PB61304 □ L



PB61305 □ L



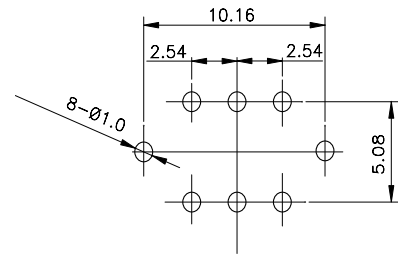
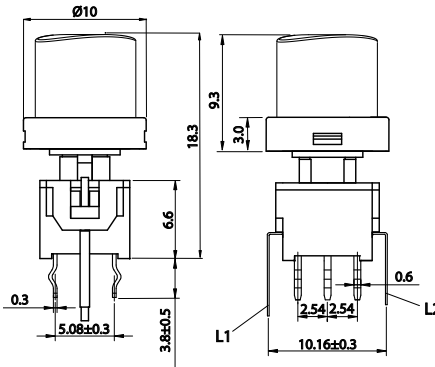
» Operating characteristics

Unit: mm

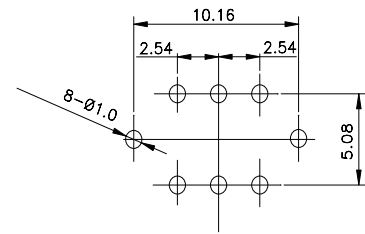
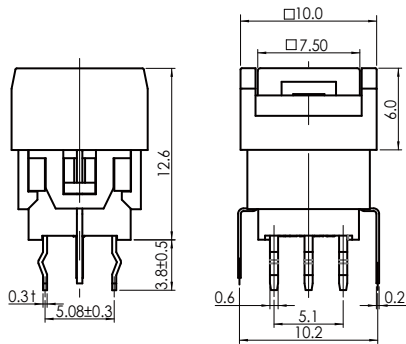
Dimensions

P.C.B Layout

PB61307 □ L



PB6131 □ F2L



» Features

- New design-double layer illuminated push switch.
- Sharp "click" feeling with positive reliability feedback.
- Epoxy sealing treatment, free of flux entry.
- Several LED colors options.
- Side-actuated with right angle terminal.
- Several cap legends options.



» Applications

- Operating switches in all types of electronic equipment such as audio apparatus, office equipment, communications apparatus, TV sets, VCRs, etc.

» Specifications

Rating	0.1A 30VDC
Insulation Resistance	100MΩ Min (at 500 VDC)
Dielectric Strength	AC 500V (50/60 Hz for 1 minute)
Contact Resistance	50mΩ Max. (Initial)
Electrically Life	10,000 Cycles Min
Ambient Temperature	-10°C~ +80°C
Operating Force	150 ± 100gf (Momentary)
	250 ± 100gf (Alternate)
	200 ± 100gf (Momentary With Click)

» LED Specifications

Color	VR	IF	Recommended Operating Current	VF	
				Nor	Max
Red	DC 5V	20mA	20mA	1.7V	2.4V
Green	DC 5V	20mA	20mA	1.9V	2.4V
Yellow	DC 5V	20mA	20mA	1.9V	2.4V
Blue	DC 5V	20mA	20mA	3.0V	3.6V
White	DC 5V	20mA	20mA	3.0V	3.6V

For the specification about the other LEDs, please contact with sales department

» Product selection

PB 6131

RFIL - [] - [] - [] - [] - [] - []

UPPER	LOWER
FUNCTIO	
A	Alternate
B	Momentary with click

UPPER	LOWER
LED COLOR	
1	Red
2	Yellow
3	Green
4	Blue
5	White
6	Pure Green
8	Amber
9	Blue Green
10	Pink
011	Purple
12	Red/Yellow
13	Red/Green
14	Red/Blue
23	Yellow/Green
48	Blue/Amber
52	White/Yellow
58	White/Amber
-	Non-LED

UPPER CAP COLOR	
1	Misty Silver
2	Bright Silver
3	Gold
4	White
5	Bright Black
6	Red
7	Misty Black
8	Sky blue
9	Gunmetal black
A	Orange

LOWER CAP COLOR	
1	Misty Silver
2	Bright Silver
3	Gold
4	White
5	Bright Black
6	Red
7	Misty Black
8	Sky blue
9	Gunmetal black
A	Orange

UPPER LASER ETCHING		
01	⏻	06 ↑
02	○	07 ↓
03	OK	08 ⊙
04	⇒	09 ⊙
05	⇐	10 ▲

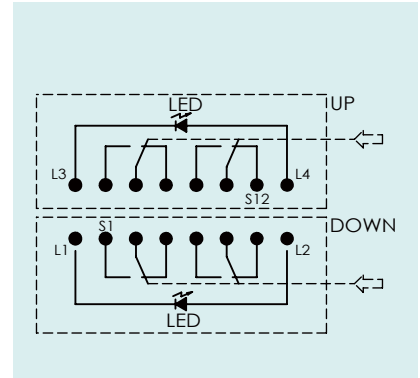
LOWER LASER ETCHING		
01	⏻	06 ↑
02	○	07 ↓
03	OK	08 ⊙
04	⇒	09 ⊙
05	⇐	10 ▲

Please inquire about the details with our sales representative.

Please inquire about the details with our sales representative.

» **Circuit**

Type	Switch Action		
PB613A	Normal ON	Push to lock ON	
Connecting Terminal	1 - 2 4 - 5	2 - 3 5 - 6	
PB613B	Normal ON	Push (ON)	
Connecting Terminal	1 - 2 4 - 5	2 - 3 5 - 6	
LED Circuit			



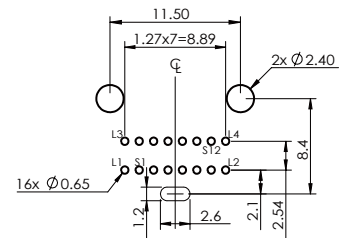
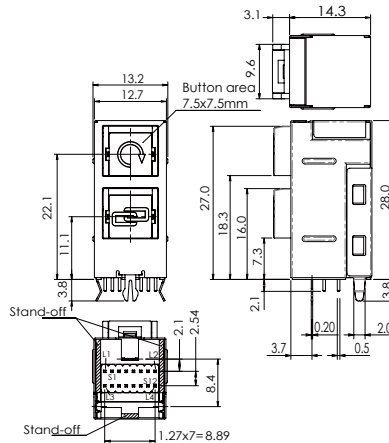
» **Operating characteristics**

Unit: mm

Dimensions

P.C.B Layout

PB6131 □ □ **RFIL-33-577-5170**



» Features

- Epoxy sealing treatment, free of flux entry.
- Several LED colors options.
- Side-actuated with right angle terminal.
- Several cap legends options.



» Applications

- Operating switches in all types of electronic equipment such as audio apparatus, office equipment, communications apparatus, TV sets, VCRs, etc.

» Specifications

Rating	0.1A 30VDC
Insulation Resistance	100MΩ Min (at 500 VDC)
Dielectric Strength	AC 500V (50/60 Hz for 1 minute)
Contact Resistance	50mΩ Max. (Initial)
Electrically Life	10,000 Cycles Min
Ambient Temperature	-10°C~ +80°C
Operating Force	150 ± 100gf (Momentary)
	250 ± 100gf (Alternate)
	200 ± 100gf (Momentary With Click)

» LED Specifications

Color	VR	IF	Recommended Operating Current	VF	
				Nor	Max
Red	DC 5V	20mA	20mA	1.7V	2.4V
Green	DC 5V	20mA	20mA	1.9V	2.4V
Yellow	DC 5V	20mA	20mA	1.9V	2.4V
Blue	DC 5V	20mA	20mA	3.0V	3.6V
White	DC 5V	20mA	20mA	3.0V	3.6V

For the specification about the other LEDs, please contact with sales department

» Product selection

PB 613

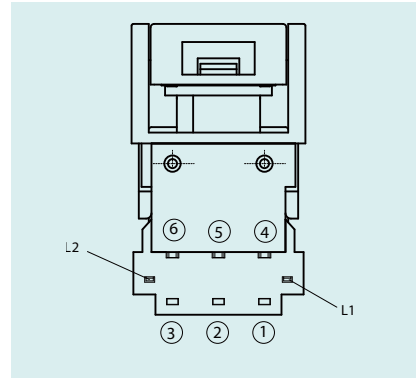
BUTTON TYPE		FUNCTION		LED		LED BRIGHTNESS		SUPPORT PIN		LASER ETCHING	
1		A	Alternate	-	Non-LED	_	Standard	-	Without	01	
2		B	Momentary with click	L	LED	C	High Brightness	WS		02	
3								WS2		03	OK
4										04	
5										05	
6										06	
01										07	
02										08	
03										09	
04										10	
05										Please inquire about the details with our sales representative.	
07											

FRAME		LED COLOR	
I		1	Red
G		2	Yellow
I2		3	Green
J		4	Blue
		5	White
		6	Pure Green
		8	Amber
		9	Blue Green
		10	Pink
		011	Purple
		12	Red/Yellow
		13	Red/Green
		14	Red/Blue
		23	Yellow/Green
		48	Blue/Amber
		52	White/Yellow
		58	White/Amber
		-	Non-LED

CAP COLOR	
1	Misty Silver
2	Bright Silver
3	Gold
4	White
5	Bright Black
6	Red
7	Misty Black
8	Sky blue
9	Gunmetal black
A	Orange

» **Circuit**

Type	Switch Action		
PB613 ARF	Normal ON	Push to lock ON	
Connecting Terminal	1 - 2 4 - 5	2 - 3 5 - 6	
PB613 BRF	Normal ON	Push (ON)	
Connecting Terminal	1 - 2 4 - 5	2 - 3 5 - 6	
LED Circuit			



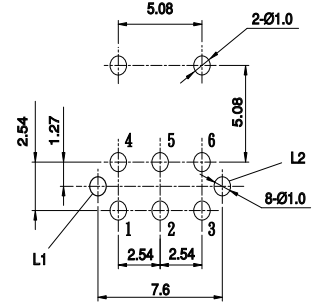
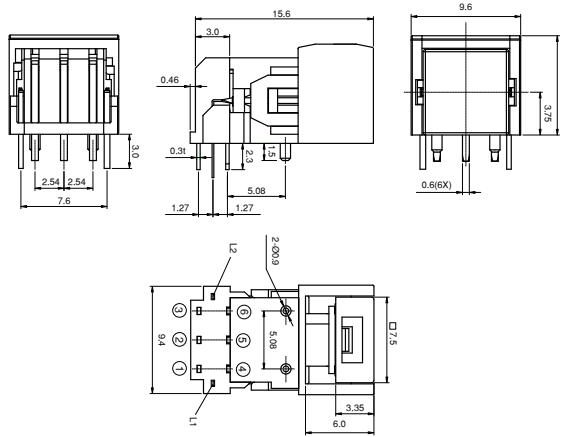
» **Operating characteristics**

Unit: mm

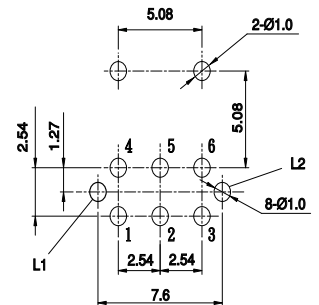
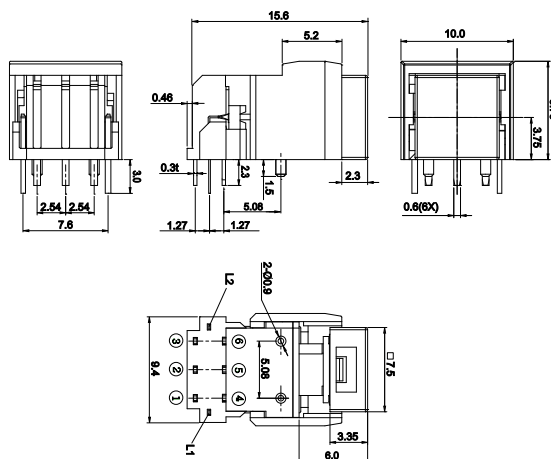
Dimensions

P.C.B Layout

PB6131 **RFIL-3-177**



PB6131 **RFGL-3-177**



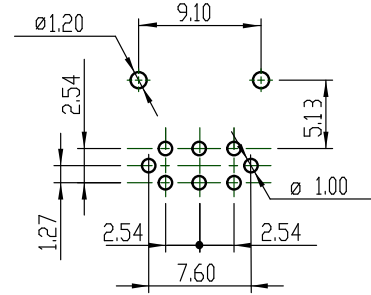
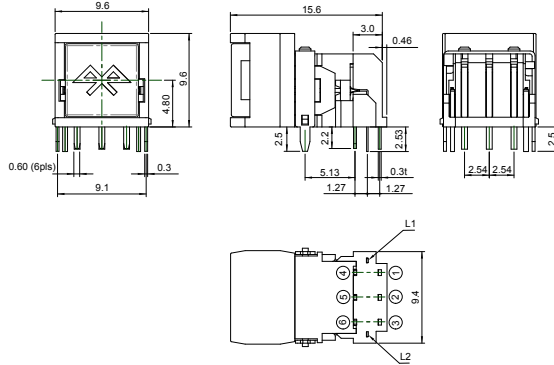
» Operating characteristics

Unit: mm

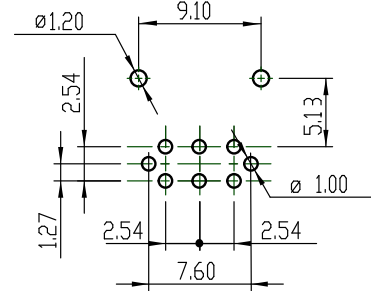
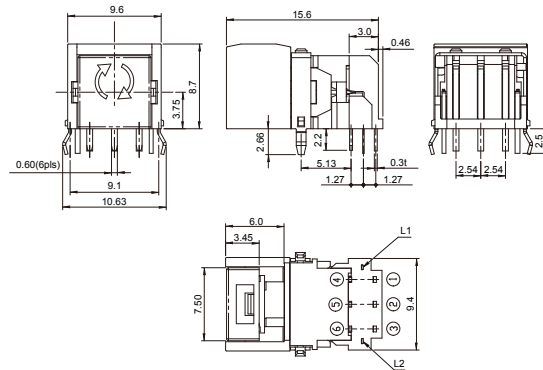
Dimensions

P.C.B Layout

PB6131 □ RFJL-4-WS-5195



PB6131 □ RFI L-4-WS2-5238



X-ON Electronics

Largest Supplier of Electrical and Electronic Components

Click to view similar products for [Input Devices](#) category:

Click to view products by [Highly manufacturer](#):

Other Similar products are found below :

[80260-08](#) [M11L0A1](#) [M11L0B1M](#) [M21L0H1PX](#) [M41C091P100](#) [80260-00](#) [81521-08](#) [FKB4720-103](#) [84250-26](#) [84980-04](#) [84S-AC1-000](#)
[C10O0C1P](#) [JD-0700EU-2](#) [JM-0800-2](#) [JOY-THUMB](#) [JW-T0100](#) [89498-13](#) [89758-05](#) [89886-26](#) [89941-00](#) [FQ-XT](#) [G3-A1AM151NNNN](#)
[G80-3000LSCEU-2](#) [M11C011B](#) [TH500P00D4](#) [MJ0FGGRY](#) [JM-0800-0](#) [KBCV-4100W](#) [MR2110R5BB](#) [60C22-M7-4-020S](#) [67A-DF-3C-](#)
[060C](#) [84S-BB1-004](#) [81601-26](#) [G8011900LPMUS0](#) [G844420LUBEU0](#) [G84-4700LUCUS-0](#) [89701-26](#) [81485-26](#) [84105-13](#) [V400-W24 5M](#)
[V400-W23 5M](#) [G84-5200LCMEU-2](#) [M11F061P](#) [84Z2029-100](#) [4P182F1D0100](#) [M41L091M](#) [M41L091P](#) [60A00-8-050C](#) [84Z2029-78](#)
[XD2CF1111](#)