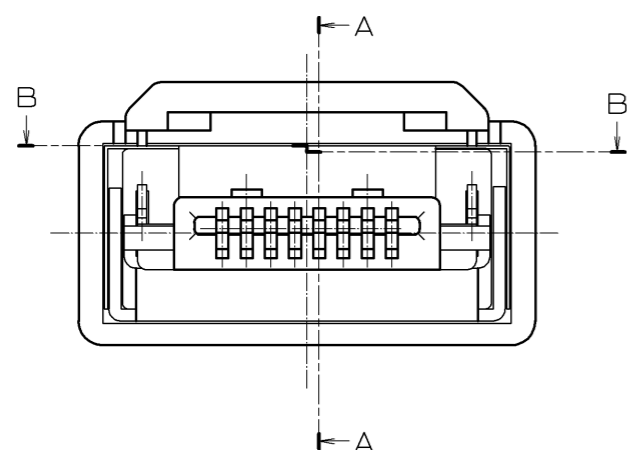
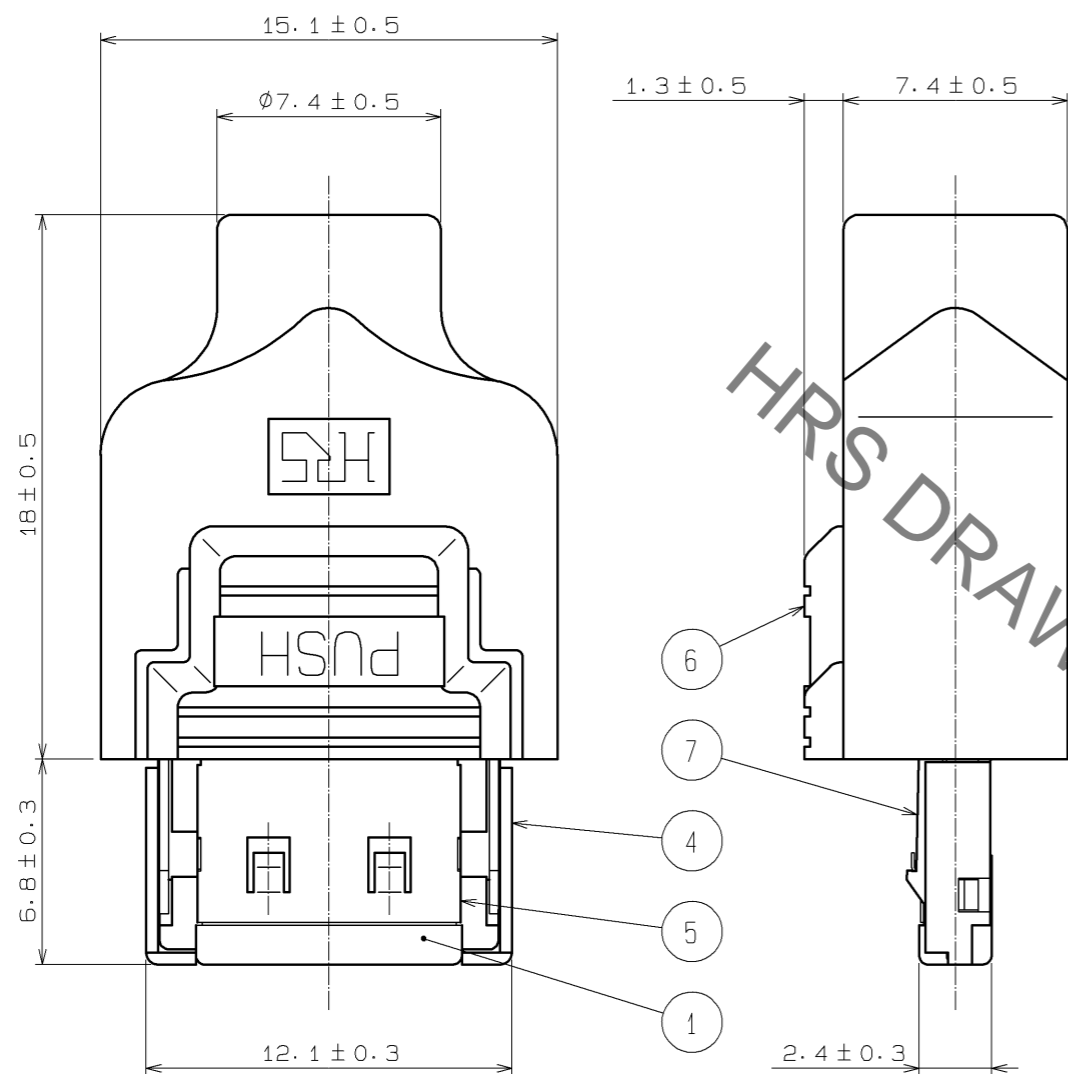
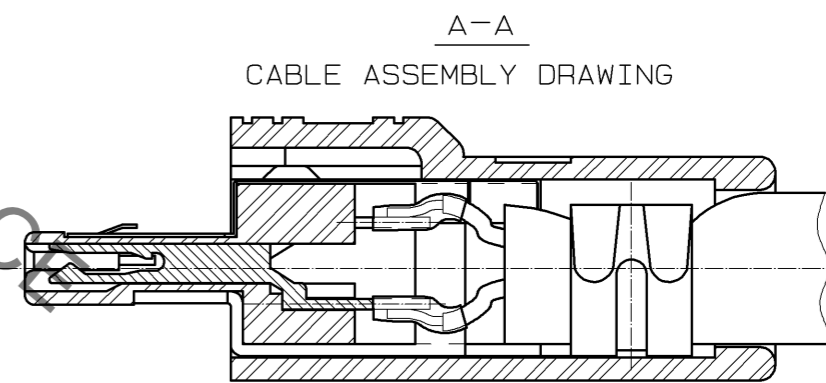
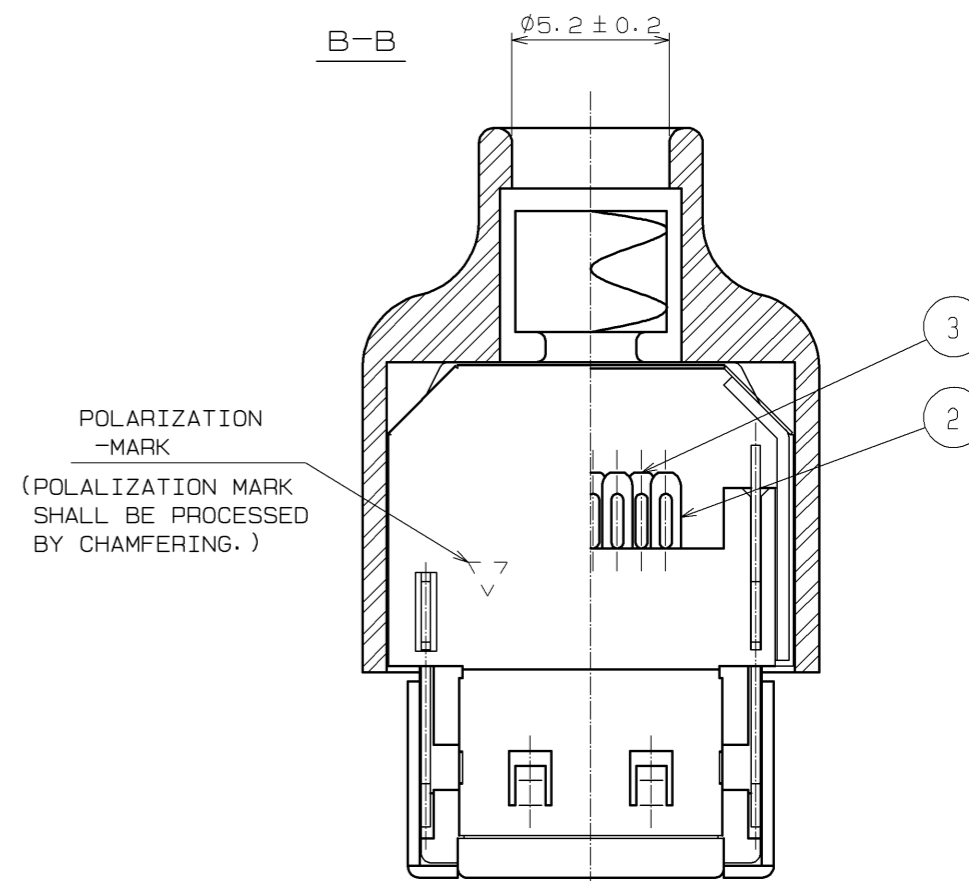


Oct.1.2021 Copyright 2021 HIROSE ELECTRIC CO., LTD. All Rights Reserved.
In case of consideration for using Automotive equipment / device which demand high reliability, kindly contact our sales window correspondents.



NOTE 1. THE REFERENCE NO. ④, ⑤ AND ⑥ SHALL BE ATTACHED.

HRS DRAWING FOR REFERENCE



CABLE ASSEMBLY DRAWING

NO.	MATERIAL	FINISH . REMARKS	NO.	MATERIAL	FINISH . REMARKS
3	COPPER ALLOY	CONTACT AREA:GOLD PLATING 0.2μm min. LEAD AREA:GOLD PLATING 0.03μm min. [△]	7	STAINLESS STEEL	
2	COPPER ALLOY	UNDER PLATING:NICKEL PLATING 2μm min. [△]	6	POLYCARBONATE	BLACK. UL94HB
1	PPS	BLACK. UL94V-0	5	PHOSPHOR BRONZE	NICKEL PLATING 1μm min. [△]
			4	BRASS	NICKEL PLATING 1μm min. [△]

UNITS	SCALE	COUNT	DESCRIPTION OF REVISIONS	DESIGNED	CHECKED	DATE
mm	4 : 1	4	DIS-E-003308	TS. ITO	TA. ASO	10.06.14

APPROVED : A0. SUZUKI	06.05.22	DRAWING NO.	EDC3-045931-03
CHECKED : NF. MIYAZAKI	06.05.22	PART NO.	3240-8P-C(50)
DESIGNED : HS. KIKUCHI	06.05.22	CODE NO.	CL232-0001-4-50
DRAWN : HS. KIKUCHI	06.05.22		

X-ON Electronics

Largest Supplier of Electrical and Electronic Components

Click to view similar products for [Headers & Wire Housings](#) category:

Click to view products by [Hirose](#) manufacturer:

Other Similar products are found below :

[892-18-020-10-001101](#) [58102-G61-06LF](#) [582553-1](#) [0009485154](#) [009176003701906](#) [0050291907](#) [LY20-4P-DT1-P1E-BR](#) [02.125.8002.8](#)
[609-3404](#) [61062-3](#) [622-0430](#) [622-3653LF](#) [63453-116](#) [636-1030](#) [636-1427](#) [636-3427](#) [636-4007](#) [641938-9](#) [641991-4](#) [644827-2](#) [65817-010LF](#)
[65817-015LF](#) [65863-015LF](#) [66207-023LF](#) [67095-007LF](#) [67601157](#) [68648-049](#) [70.362.1628.0](#) [70-4210](#) [70-4226B](#) [70-4853B](#) [707-5020](#) [707-](#)
[5028](#) [71.350.2428.0](#) [71918-208LF](#) [71961-016LF](#) [733-134](#) [733-162](#) [754199-000](#) [760-3052](#) [787-8014-00](#) [79531-3000](#) [FCN-360C032-B](#) [FCN-](#)
[367T-T012/H](#) [FCN-723D010/2](#) [80.063.4001.1](#) [800-90-001-10-001000](#) [800-90-010-10-002000](#) [801-43-002-10-013000](#) [801-43-006-10-002000](#)