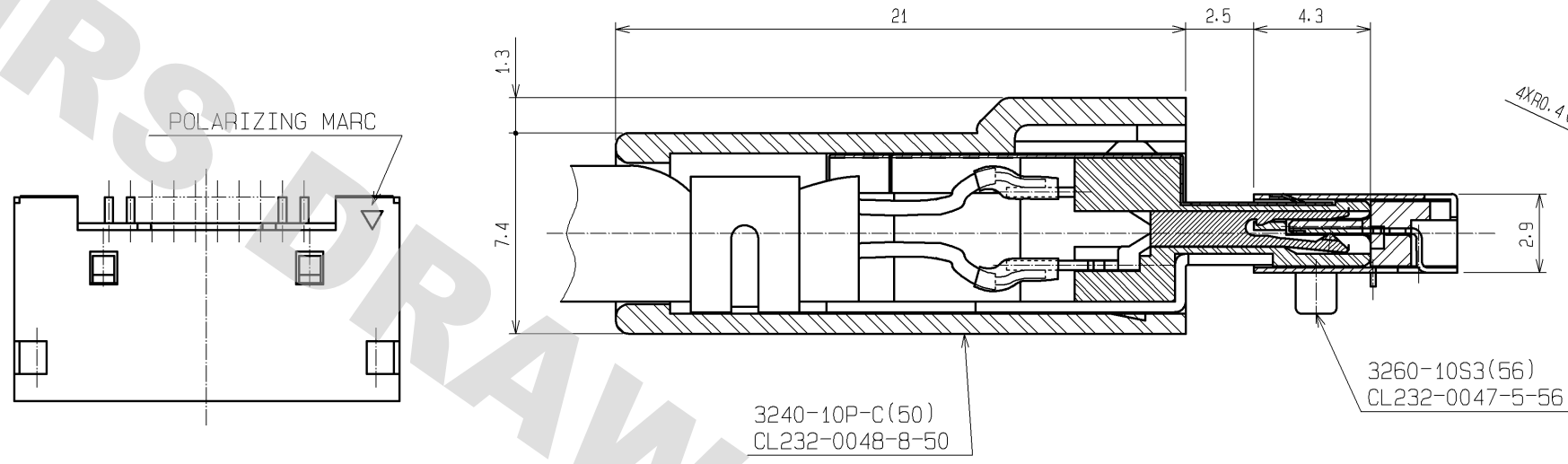
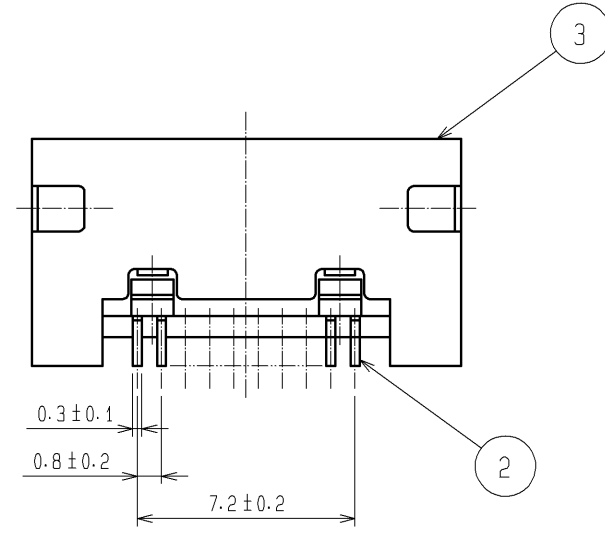
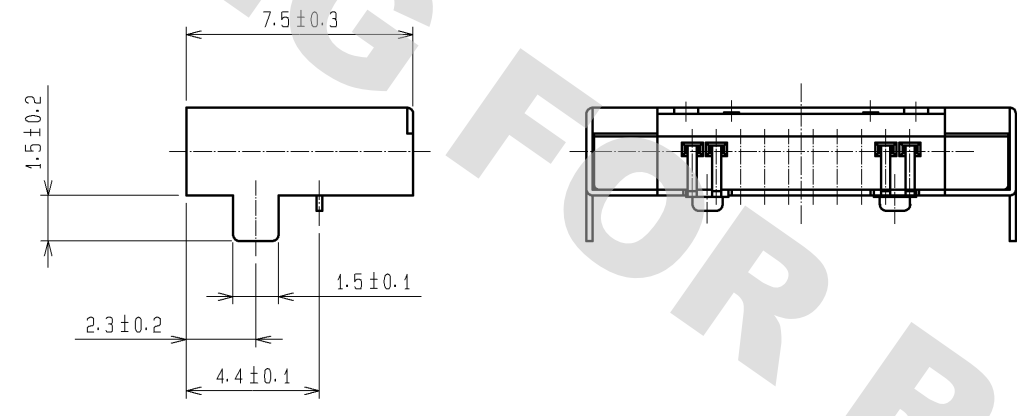
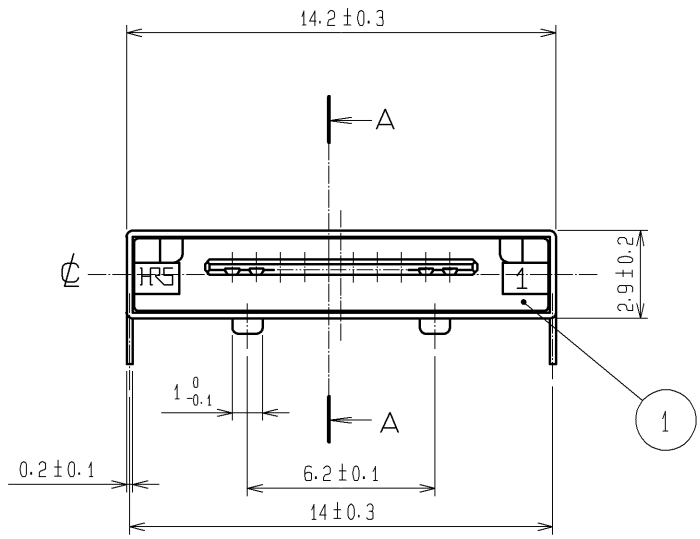
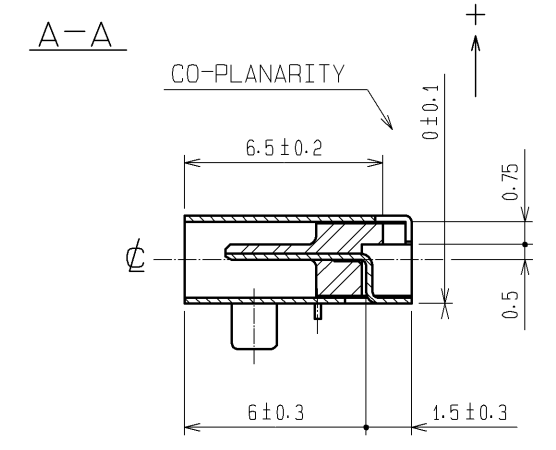
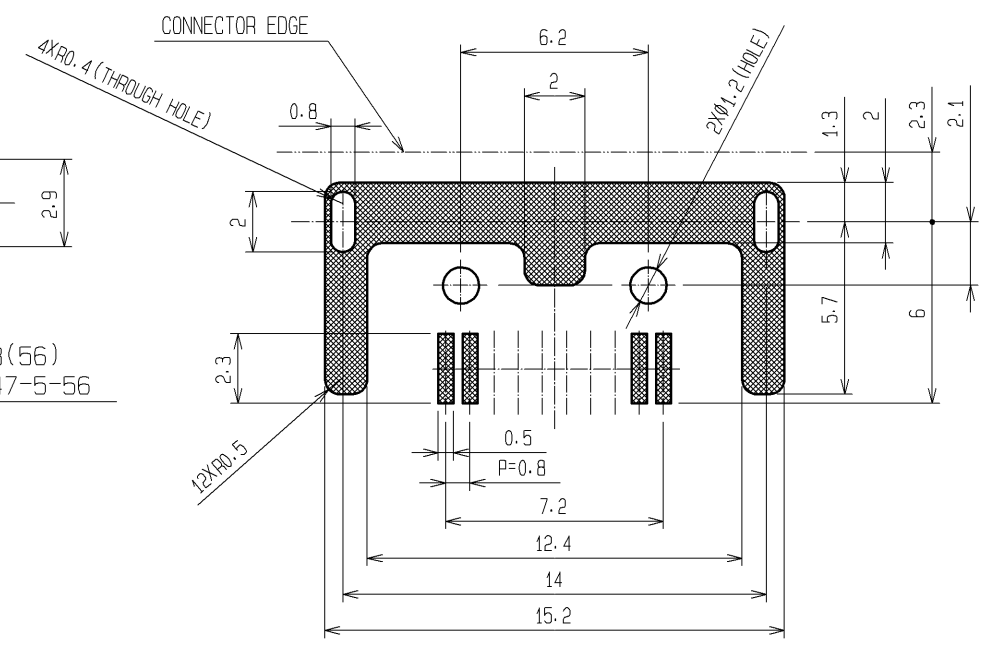


DRAWING FOR REFERENCE: This is subject to change without notice
08/11/2012

FIGURE OF MATING



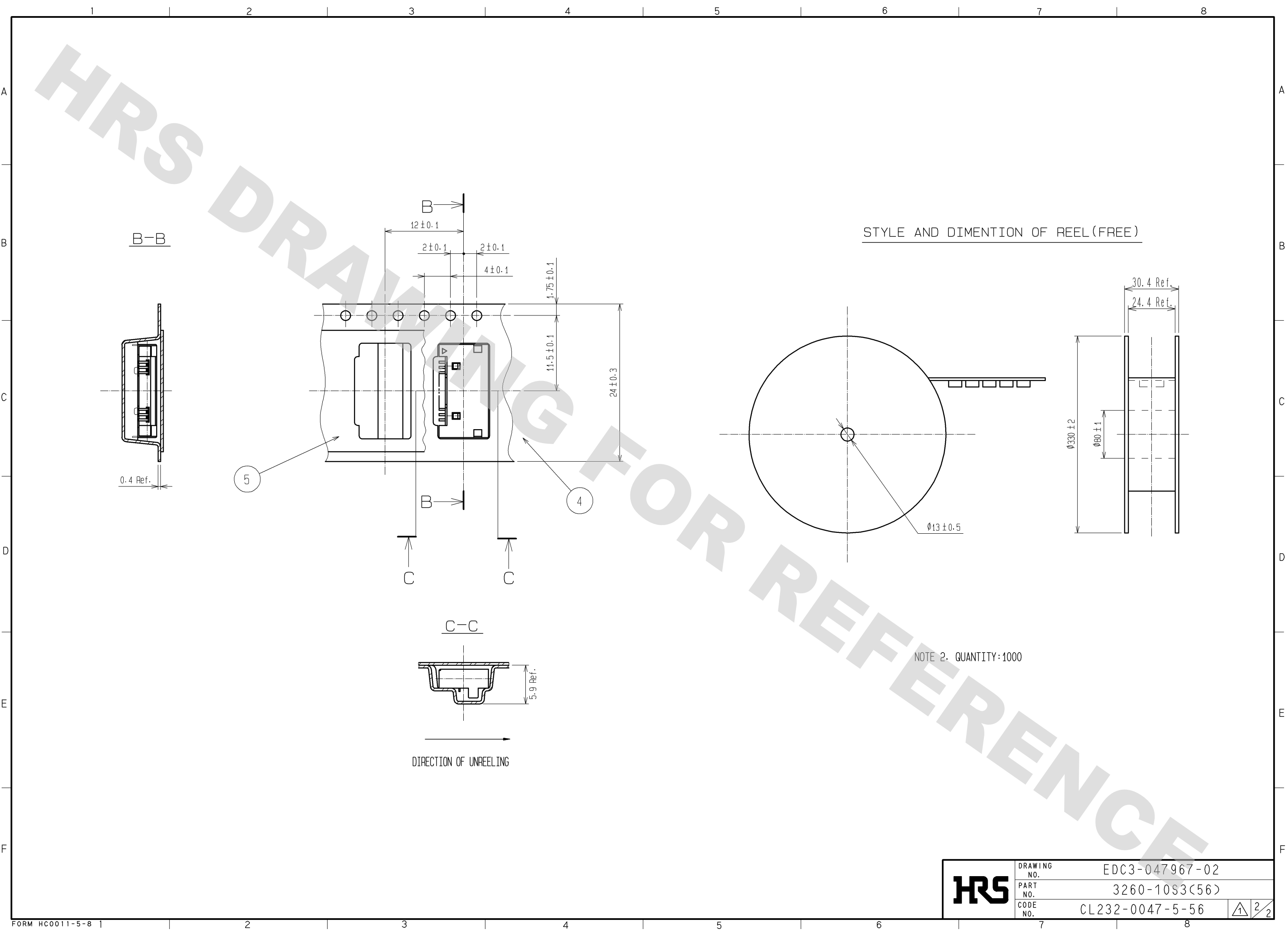
1 RECOMMENDED PC BOARD PATTERN (MOUNTING SIDE)



NOTE 1 ALL DIMENSIONS WITHOUT TOLERANCE ARE DIMENSIONS FOR REFERENCE.

2	PHOSPHOR BRONZE	CONTACT AREA : GOLD 0.2μm MIN. LEAD AREA : GOLD 0.03μm MIN. UNDER PLATING : NICKEL 2μm MIN. 1	5	PE 1	
1	PPS	BLACK UL94V-0	4	PS	
			3	STAINLESS STEEL	SELECTIVE AREA : GOLD 0.03μm MIN. UNDER PLATING : NICKEL 0.2μm MIN.
NO.	MATERIAL	FINISH . REMARKS	NO.	MATERIAL	FINISH . REMARKS
UNITS	mm	SCALE 4 : 1	COUNT 2	DESCRIPTION OF REVISIONS	DESIGNED WR. YAMADA
				DIS-E-004108	CHECKED TA. ASO
				DATE 12.01.26	
APPROVED : A0. SUZUKI 05.08.08			DRAWING NO. EDC3-047967-02		
CHECKED : NF. MIYAZAKI 05.08.08			PART NO. 3260-10S3(56)		
DESIGNED : HS. KIKUCHI 05.08.05			CODE NO. CL232-0047-5-56		
DRAWN : ER. WAKIKAWA 05.08.04			1/2		

DRAWING FOR REFERENCE: This is subject to change without notice
08/11/2012



STYLE AND DIMENTION OF REEL(FREE)

NOTE 2. QUANTITY:1000

HRS	DRAWING NO.	EDC3-047967-02
	PART NO.	3260-10S3(56)
	CODE NO.	CL232-0047-5-56
		2/2

X-ON Electronics

Largest Supplier of Electrical and Electronic Components

Click to view similar products for [Headers & Wire Housings](#) category:

Click to view products by [Hirose](#) manufacturer:

Other Similar products are found below :

[892-18-020-10-001101](#) [58102-G61-06LF](#) [582553-1](#) [0009485154](#) [009176003701906](#) [0050291907](#) [LY20-4P-DT1-P1E-BR](#) [02.125.8002.8](#)
[609-3404](#) [61062-3](#) [622-0430](#) [622-3653LF](#) [63453-116](#) [636-1030](#) [636-1427](#) [636-3427](#) [636-4007](#) [641938-9](#) [641991-4](#) [644827-2](#) [65817-010LF](#)
[65817-015LF](#) [65863-015LF](#) [66207-023LF](#) [67095-007LF](#) [67601157](#) [68648-049](#) [70.362.1628.0](#) [70-4210](#) [70-4226B](#) [70-4853B](#) [707-5020](#) [707-5028](#) [71.350.2428.0](#) [71918-208LF](#) [71961-016LF](#) [733-134](#) [733-162](#) [754199-000](#) [760-3052](#) [787-8014-00](#) [79531-3000](#) [FCN-360C032-B](#) [FCN-367T-T012/H](#) [FCN-723D010/2](#) [80.063.4001.1](#) [800-90-001-10-001000](#) [800-90-010-10-002000](#) [801-43-002-10-013000](#) [801-43-006-10-002000](#)