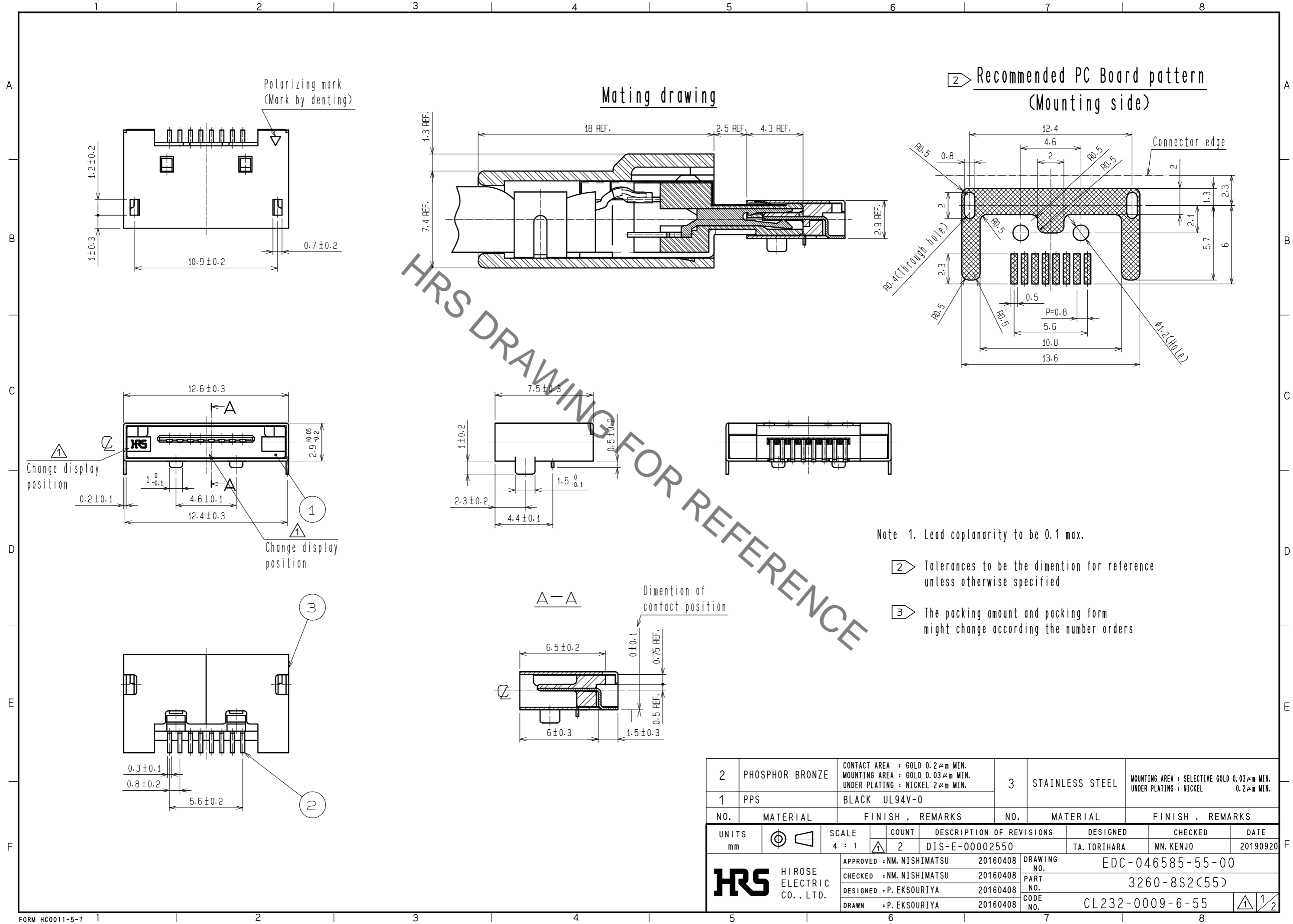


Oct.1.2021 Copyright 2021 HIROSE ELECTRIC CO., LTD. All Rights Reserved.  
In case of consideration for using Automotive equipment / device which demand high reliability, kindly contact our sales window correspondents.

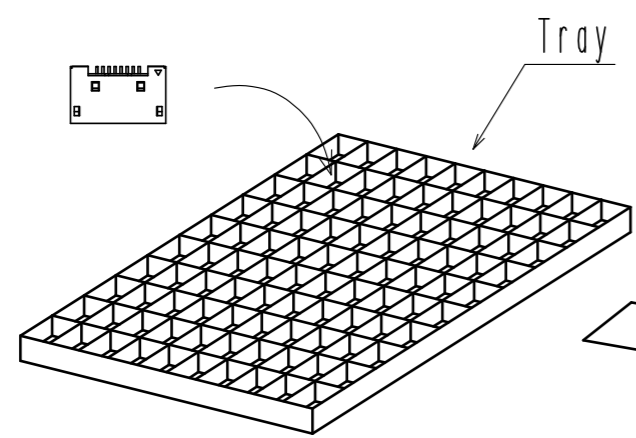


2	PHOSPHOR BRONZE	CONTACT AREA : GOLD 0.2μm MIN. MOUNTING AREA : GOLD 0.03μm MIN. UNDER PLATING : NICKEL 2μm MIN.	3	STAINLESS STEEL	MOUNTING AREA : SELECTIVE GOLD 0.03μm MIN. UNDER PLATING : NICKEL 0.2μm MIN.
1	PPS	BLACK UL94V-0			
NO.	MATERIAL	FINISH . REMARKS	NO.	MATERIAL	FINISH . REMARKS
UNITS	mm	SCALE	4 : 1	COUNT	2
DESCRIPTION OF REVISIONS			DESIGNED	TA. TORIHARA	CHECKED
DIS-E-00002550			DATE	20190920	
APPROVED : NM. NISHIMATSU 20160408			DRAWING NO. EDC-046585-55-00		
CHECKED : NM. NISHIMATSU 20160408			PART NO. 3260-8S2(55)		
DESIGNED : P. EKSOURIYA 20160408			CODE NO. CL232-0009-6-55		
DRAWN : P. EKSOURIYA 20160408			1/2		

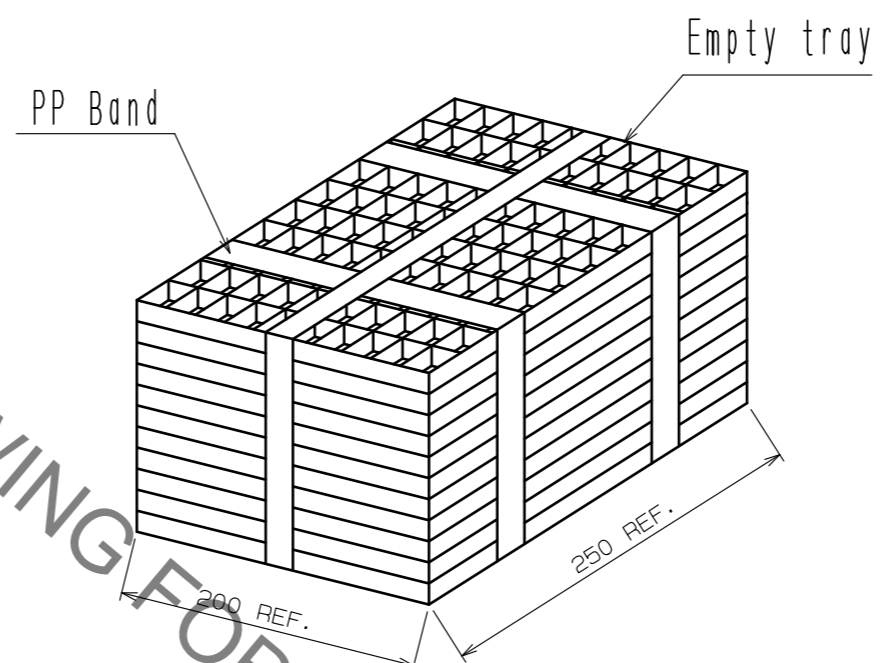
Oct.1.2021 Copyright 2021 HIROSE ELECTRIC CO., LTD. All Rights Reserved.  
In case of consideration for using Automotive equipment / device which demand high reliability, kindly contact our sales window correspondents.

### 3 Packaging

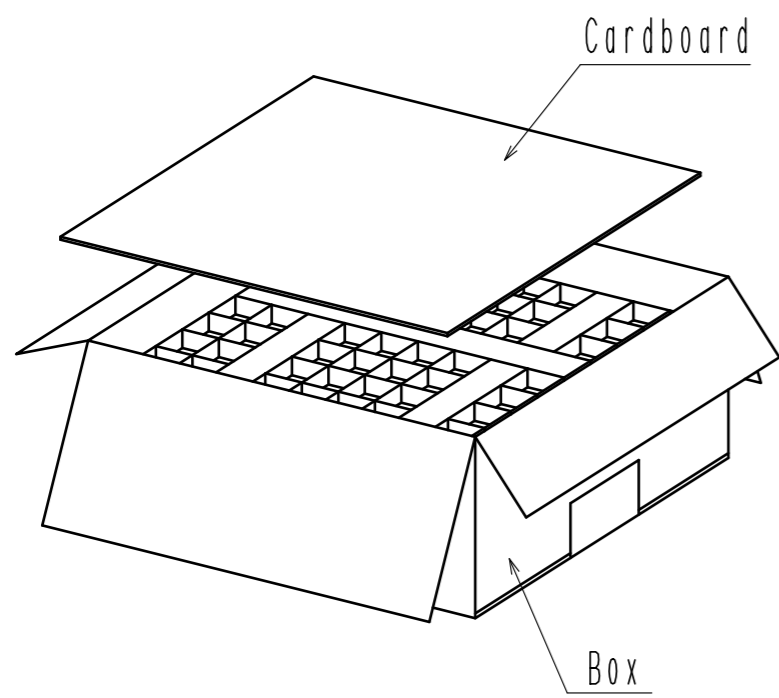
1. The connector is put in a tray in 100 PCS.



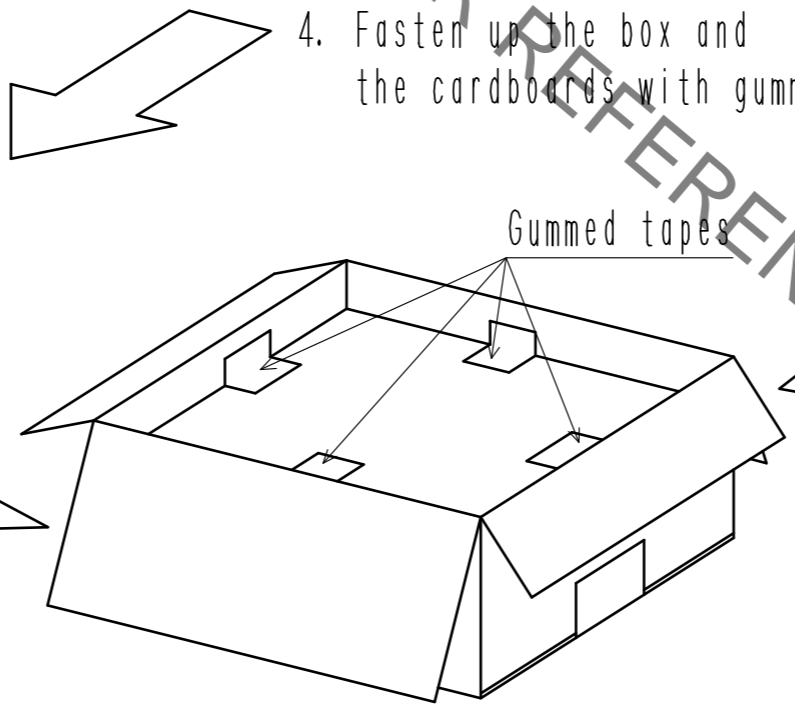
2. 10 trays of the connector are piled up aternately. Connector quality 1000 PCS.



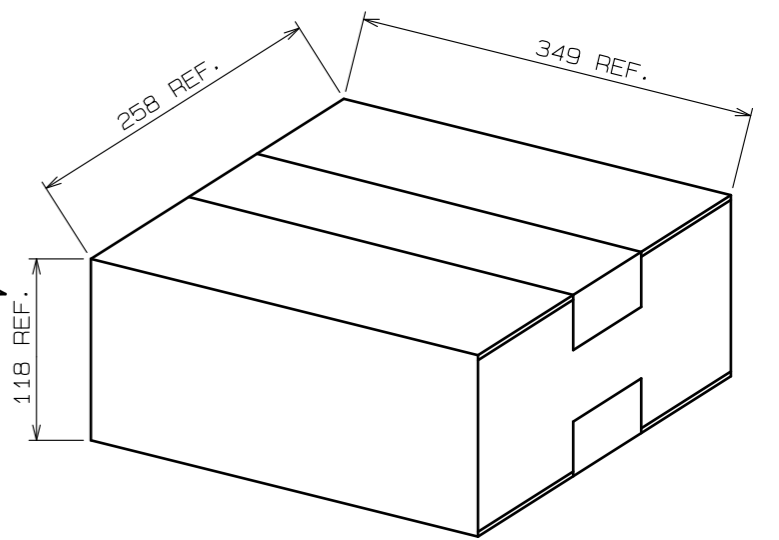
3. Piled up a pack of trays which banded in a box. Cover the top with the cardboard.



4. Fasten up the box and the cardboards with gummed tapes.



5. Close the box and fasten up with gummed tapes.



HRS DRAWING FOR REFERENCE

<b>HRS</b>	DRAWING NO.	EDC-046585-55-00
	PART NO.	3260-8S2(55)
	CODE NO.	CL232-0009-6-55
		2/2

## X-ON Electronics

Largest Supplier of Electrical and Electronic Components

*Click to view similar products for [Headers & Wire Housings](#) category:*

*Click to view products by [Hirose](#) manufacturer:*

Other Similar products are found below :

[892-18-020-10-001101](#) [58102-G61-06LF](#) [582553-1](#) [0009485154](#) [009176003701906](#) [0050291907](#) [LY20-4P-DT1-P1E-BR](#) [02.125.8002.8](#)  
[609-3404](#) [61062-3](#) [622-0430](#) [622-3653LF](#) [63453-116](#) [636-1030](#) [636-1427](#) [636-3427](#) [636-4007](#) [641938-9](#) [641991-4](#) [644827-2](#) [65817-010LF](#)  
[65817-015LF](#) [65863-015LF](#) [66207-023LF](#) [67095-007LF](#) [67601157](#) [68648-049](#) [70.362.1628.0](#) [70-4210](#) [70-4226B](#) [70-4853B](#) [707-5020](#) [707-5028](#) [71.350.2428.0](#) [71918-208LF](#) [71961-016LF](#) [733-134](#) [733-162](#) [754199-000](#) [760-3052](#) [787-8014-00](#) [79531-3000](#) [FCN-360C032-B](#) [FCN-367T-T012/H](#) [FCN-723D010/2](#) [80.063.4001.1](#) [800-90-001-10-001000](#) [800-90-010-10-002000](#) [801-43-002-10-013000](#) [801-43-006-10-002000](#)