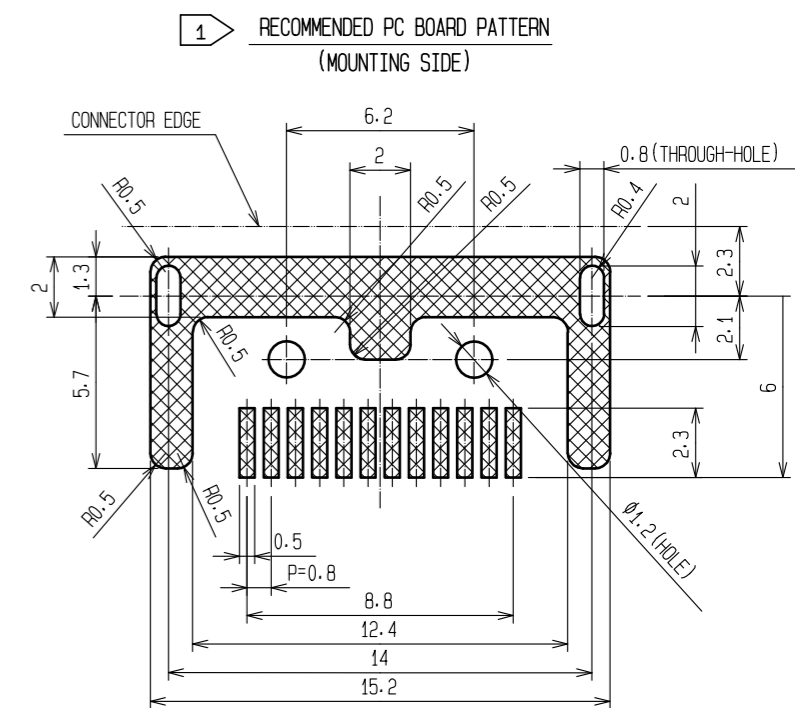
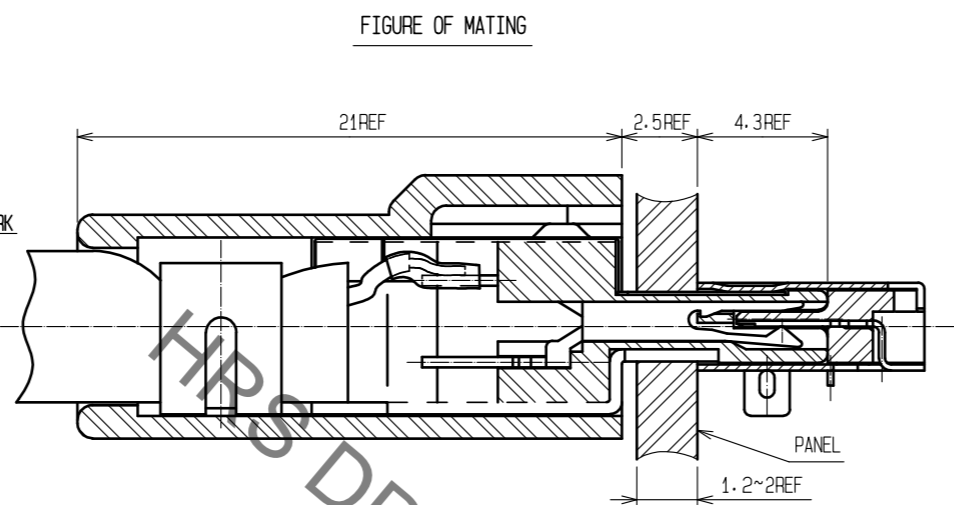
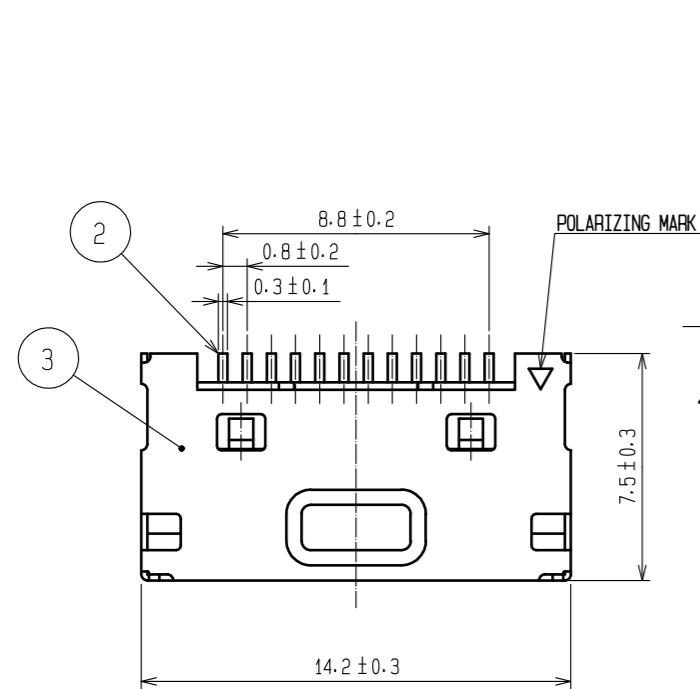
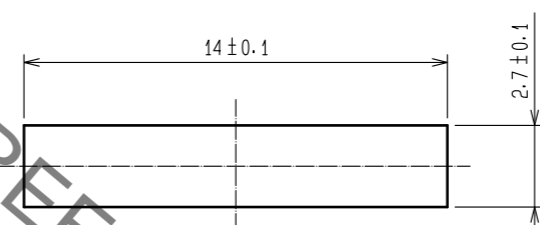


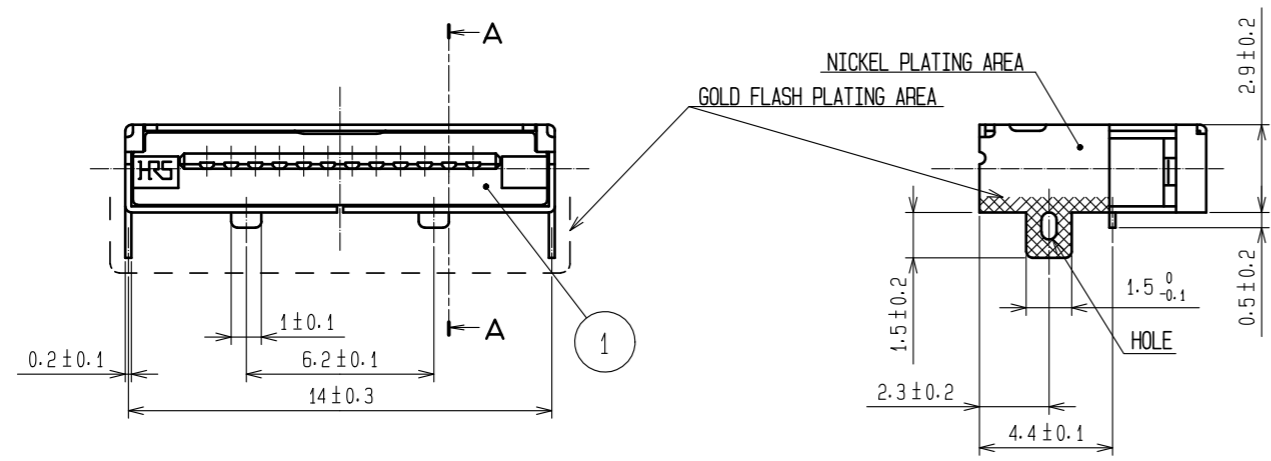
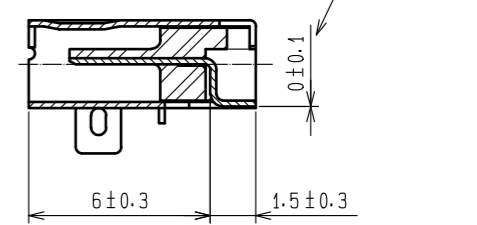
Oct.1.2021 Copyright 2021 HIROSE ELECTRIC CO., LTD. All Rights Reserved.  
In case of consideration for using Automotive equipment / device which demand high reliability, kindly contact our sales window correspondents.



PANEL CUTOUT



A-A



- NOTE
- 1 ALL DIMENSIONS WITHOUT TOLERANCE ARE DIMENSIONS FOR REFERENCE.
  - 2 PLATING  
CONTACT AREA GOLD 0.2μm min.  
LEAD AREA GOLD 0.03μm min.  
UNDER PLATING NICKEL 2μm min.
  - 3 PLATING  
GOLD FLASH PLATING 0.03μm min.  
UNDER PLATING NICKEL 0.2μm min.

2	PHOSPHOR BRONZE	2			
1	PPS	(BLACK)UL94V-0	3	STAINLESS STEEL	3
NO.	MATERIAL	FINISH . REMARKS	NO.	MATERIAL	FINISH . REMARKS
UNITS	mm	SCALE	4 : 1	COUNT	DESCRIPTION OF REVISIONS
APPROVED : TU. TANIGUCHI		20200910		DRAWING NO. EDC-120858-56-00	
CHECKED : TU. TANIGUCHI		20200910		PART NO. 3260B-12S3(56)	
DESIGNED : KN. ICHIKAWA		20200910		CODE NO. CL232-0090-4-56	
DRAWN : CT. YAMAMOTO		20200910		1/1	

## X-ON Electronics

Largest Supplier of Electrical and Electronic Components

*Click to view similar products for [Headers & Wire Housings](#) category:*

*Click to view products by [Hirose](#) manufacturer:*

Other Similar products are found below :

[892-18-020-10-001101](#) [58102-G61-06LF](#) [582553-1](#) [0009485154](#) [009176003701906](#) [0050291907](#) [LY20-4P-DT1-P1E-BR](#) [02.125.8002.8](#)  
[609-3404](#) [61062-3](#) [622-0430](#) [622-3653LF](#) [63453-116](#) [636-1030](#) [636-1427](#) [636-3427](#) [636-4007](#) [641938-9](#) [641991-4](#) [644827-2](#) [65817-010LF](#)  
[65817-015LF](#) [65863-015LF](#) [66207-023LF](#) [67095-007LF](#) [67601157](#) [68648-049](#) [70.362.1628.0](#) [70-4210](#) [70-4226B](#) [70-4853B](#) [707-5020](#) [707-5028](#) [71.350.2428.0](#) [71918-208LF](#) [71961-016LF](#) [733-134](#) [733-162](#) [754199-000](#) [760-3052](#) [787-8014-00](#) [79531-3000](#) [FCN-360C032-B](#) [FCN-367T-T012/H](#) [FCN-723D010/2](#) [80.063.4001.1](#) [800-90-001-10-001000](#) [800-90-010-10-002000](#) [801-43-002-10-013000](#) [801-43-006-10-002000](#)