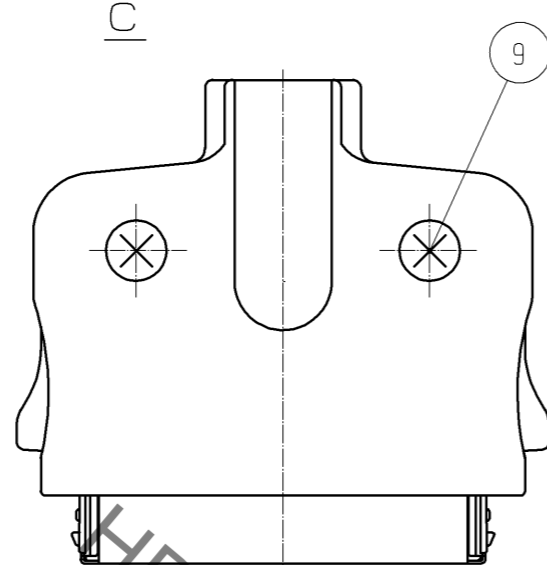
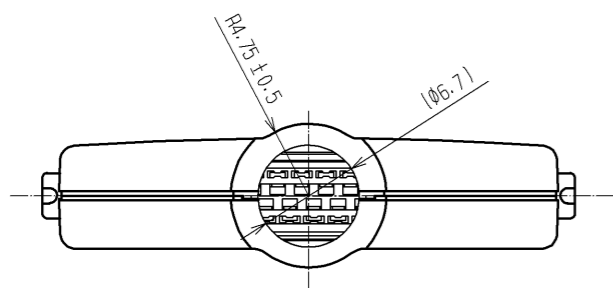
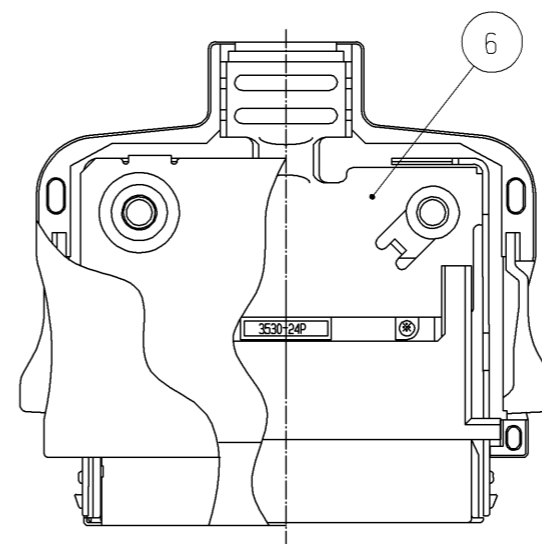


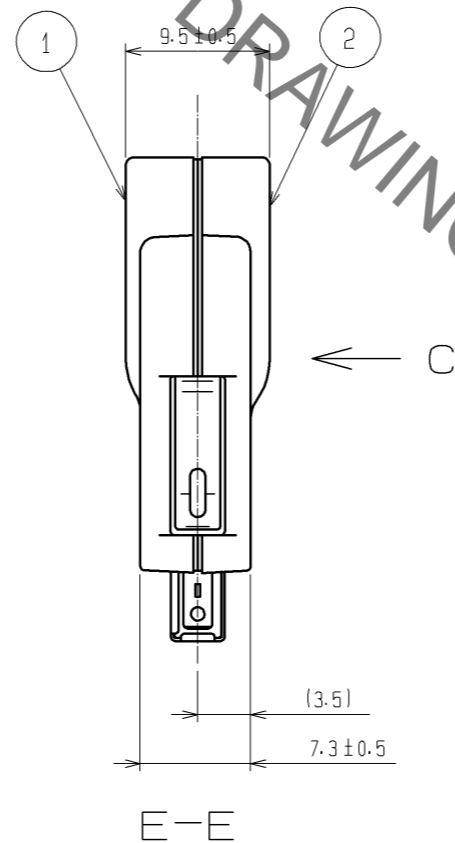
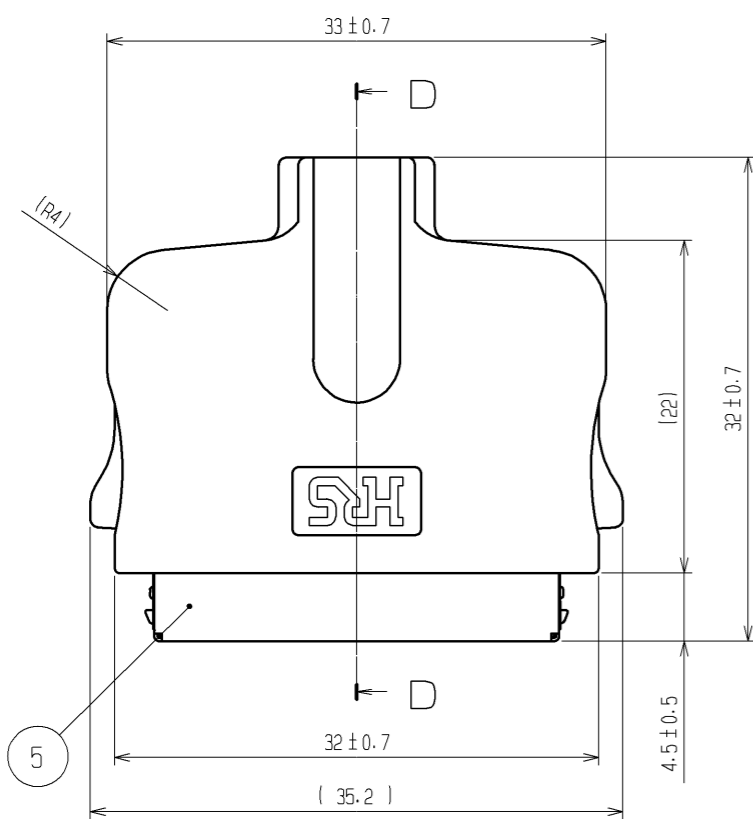
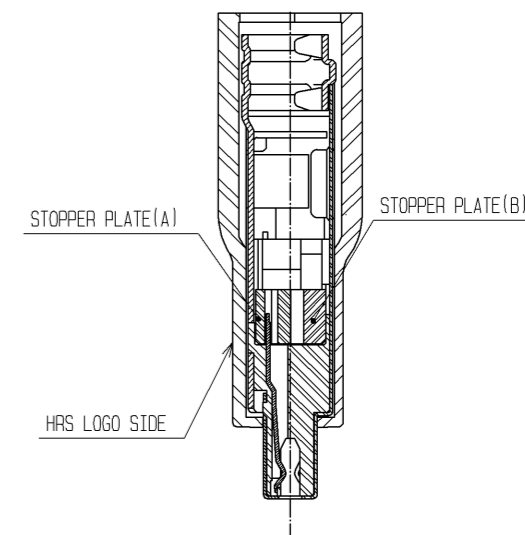
Jul.1.2019 Copyright 2019 HIROSE ELECTRIC CO., LTD. All Rights Reserved.  
In case of consideration for using Automotive equipment / device which demand high reliability, kindly contact our sales window correspondents.



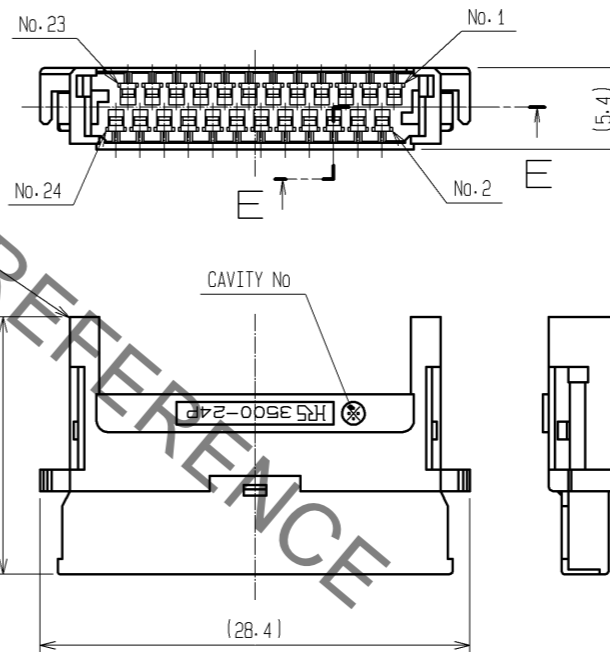
CONSTRUCTION (REFERENCE)



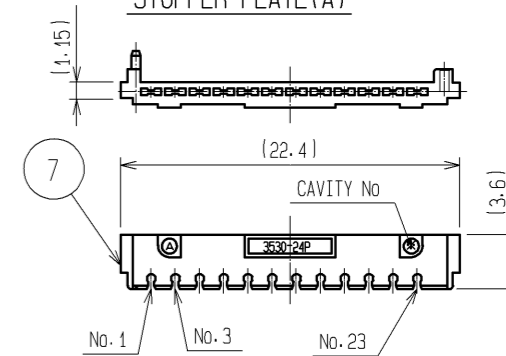
D-D



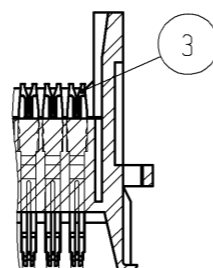
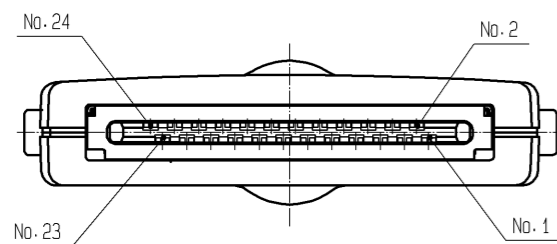
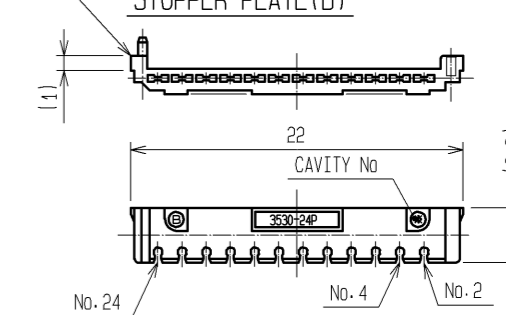
CONNECTOR UNIT



STOPPER PLATE(A)



STOPPER PLATE(B)



4	POLYAMIDE	(BLACK) UL94V-0	9	STEEL	(BLACK) TAPPING SCREW
3	BERYLLIUM COPPER	CONTACT AREA GOLD PLATING 0.76µm min TERMINAL AREA GOLD PLATING 0.03µm min UNDER PLATING NICKEL PLATING 1.27µm min	8	PBT	(BLACK) UL94V-0
2	POLYCARBONATE	(BLACK) UL94V-0	7	PBT	(BLACK) UL94V-0
1	POLYCARBONATE	(BLACK) UL94V-0	6	STAINLESS STEEL	
			5	STAINLESS STEEL	
NO.	MATERIAL	FINISH . REMARKS	NO.	MATERIAL	FINISH . REMARKS

NOTE. 1 THIS PRODUCT SHALL BE IN DISASSEMBLED CONDITION  
(EXCEPT CONNECTOR UNIT ③, ④) WHEN DELIVERED.  
2 MAKE SURE TO UNLOCK THE CONNECTOR BEFORE THE EXTRACTION.

UNITS	SCALE	COUNT	DESCRIPTION OF REVISIONS	DESIGNED	CHECKED	DATE
mm	2 : 1	△				
APPROVED : HO. MIWA			07.07.13	DRAWING NO. EDC3-124785-02		
CHECKED : SJ. SHIMIZU			07.07.12	PART NO. 3530A-24P-CV(57)		
DESIGNED : TS. ITO			07.07.11	CODE NO. CL235-0024-9-57		
DRAWN : TS. ITO			07.07.11			

## X-ON Electronics

Largest Supplier of Electrical and Electronic Components

*Click to view similar products for [I/O Connectors](#) category:*

*Click to view products by [Hirose](#) manufacturer:*

Other Similar products are found below :

[571763P](#) [58098-0628](#) [72.250.1628.2](#) [72.250.2428.2](#) [74720-0505](#) [76.350.0729.0](#) [76871-1403](#) [FCN-244F080-G/1](#) [FCN-260A9920](#) [PCR-E36PM](#) [PCS-XE26MA+](#) [G38A71314B](#) [1571250010](#) [157-22500-3](#) [MS3471L14-19P L/C](#) [192991-0703](#) [172501-4002](#) [172501-6002](#) [FCN-260C008-A/L0](#) [FCN-260C024-AL0](#) [FCN-261Z008](#) [2000314-1](#) [200331-1](#) [PCR-E36FC+](#) [PCS-E28FS+](#) [PCS-XE26SLFD+](#) [PCS-XE26SLFDT+](#) [G730VID08BDC24](#) [U90B2054081210](#) [UE86K842720321](#) [38113800006](#) [DP3AR020WQ1R200](#) [Z4.102.0680.0](#) [500-1040](#) [500-1052](#) [500-1054](#) [ZP-4008-66L](#) [0709821002](#) [DX40-20P\(55\)](#) [5554841-1](#) [MS3474W18-8P-LC\\*](#) [SM3106F14S-7S-LC](#) [U90B3054061110](#) [U65-E04-4020](#) [ZPF000000000097891](#) [557-262M2-06C](#) [747360449](#) [10099439-003C-TRLF](#) [10137239-0021LF](#) [E9320-001-01](#)