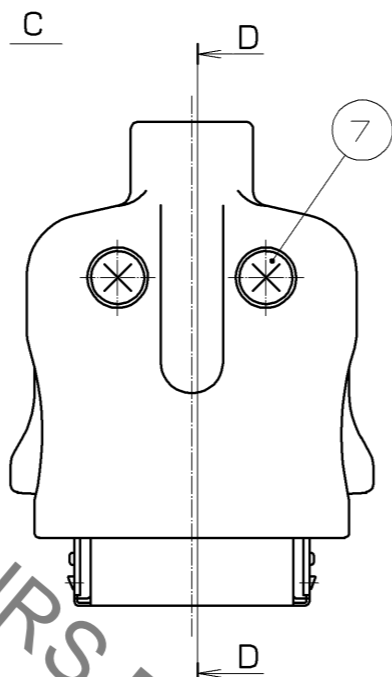
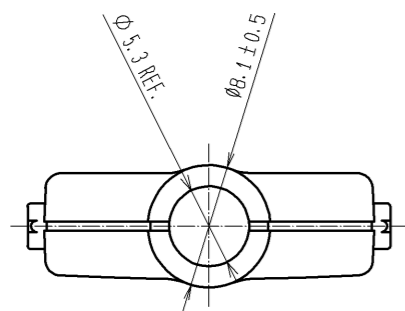
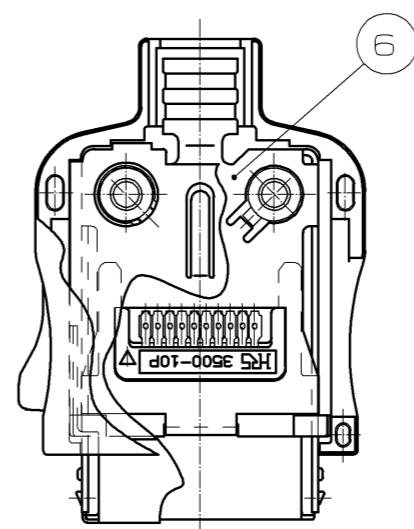


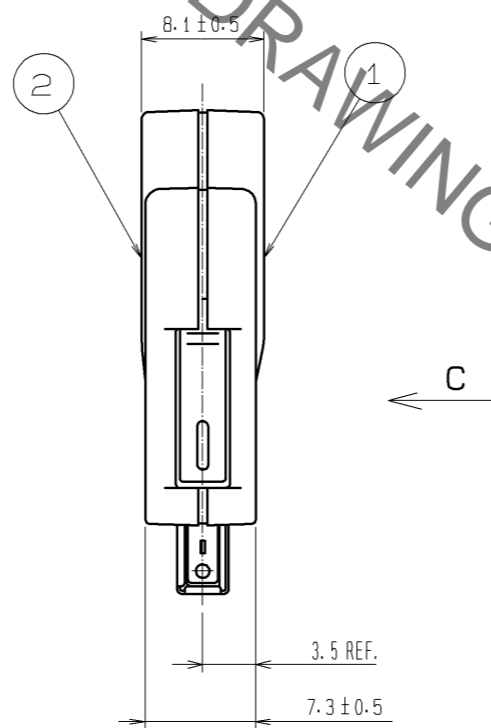
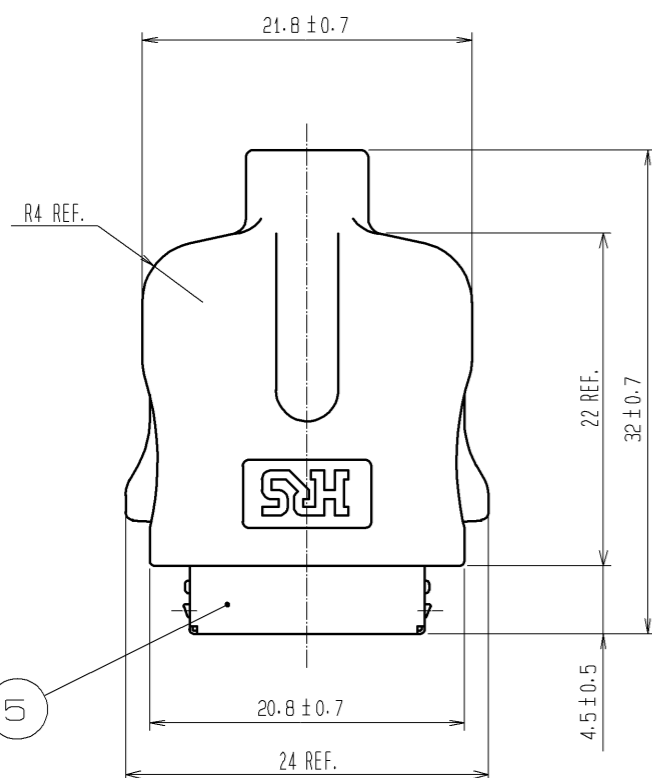
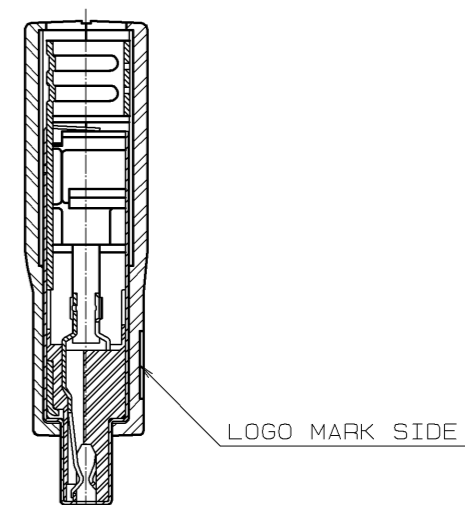
Jul.1.2019 Copyright 2019 HIROSE ELECTRIC CO., LTD. All Rights Reserved.  
 In case of consideration for using Automotive equipment / device which demand high reliability, kindly contact our sales window correspondents.



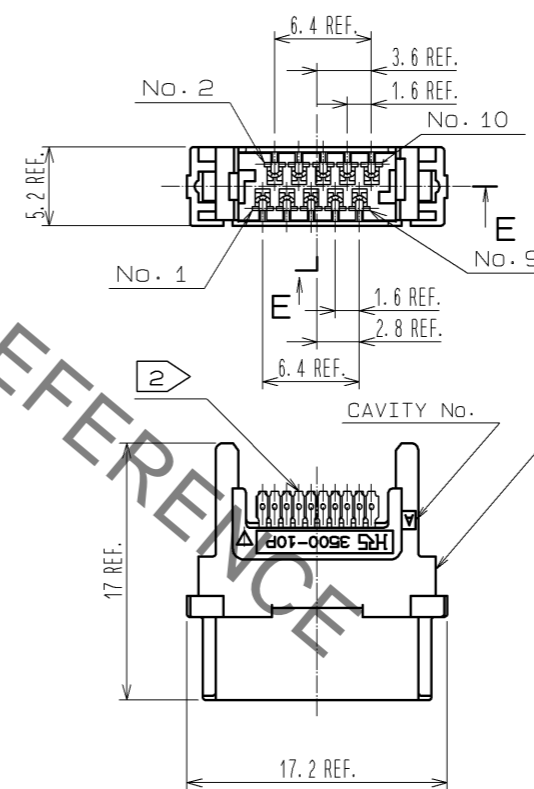
CONSTRUCTION (REFERENCE)



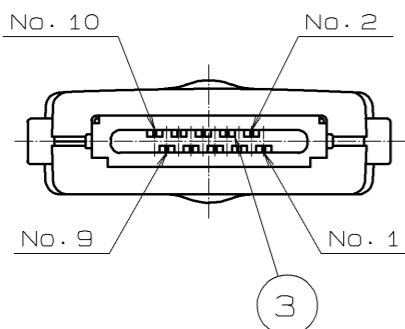
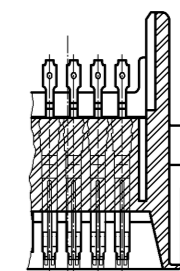
D-D (REFERENCE)



CONNECTOR UNIT



E-E



NOTES.

1. THIS PRODUCT SHALL BE IN DISASSEMBLED CONDITION (EXCEPT CONNECTOR UNIT ③, ④) WHEN DELIVERED.
- ② TERMINAL AREA SHALL BE COVERD WITH SHRINKAEGE TUBE AFTER SOLDERING.

4	POLYAMIDE	BLACK	UL94V-0	7	STEEL	BLACK	TAPPING SCREW
3	COPPER ALLOY	SELECTIVE GOLD PLATING	0.2 μm	6	STAINLESS STEEL		
2	POLYCARBONATE	BLACK	UL94V-0	5	STAINLESS STEEL		
1	POLYCARBONATE	BLACK	UL94V-0				
NO.	MATERIAL	FINISH	REMARKS	NO.	MATERIAL	FINISH	REMARKS

UNITS mm		SCALE 2 : 1	COUNT 2	DESCRIPTION OF REVISIONS DIS-E-004411	DESIGNED KG. OKITA	CHECKED TA. ASO	DATE 12.11.07
APPROVED : HO. MIWA 05.01.05				DRAWING NO. EDC3-120712-02			
CHECKED : YH. ENAMI 05.01.05				PART NO. 3540-10P-CV(50)			
DESIGNED : TU. TANIGUCHI 05.01.05				CODE NO. CL235-0010-4-50			
DRAWN : TU. TANIGUCHI 05.01.05				1/1			

## X-ON Electronics

Largest Supplier of Electrical and Electronic Components

*Click to view similar products for [I/O Connectors](#) category:*

*Click to view products by [Hirose](#) manufacturer:*

Other Similar products are found below :

[571763P](#) [58098-0628](#) [72.250.1628.2](#) [72.250.2428.2](#) [74720-0505](#) [76.350.0729.0](#) [76871-1403](#) [FCN-244F080-G/1](#) [FCN-260A9920](#) [MP-5T180MUNNA-005](#) [PCR-E36PM](#) [PCS-XE26MA+](#) [G38A71314B](#) [1571250010](#) [157-22500-3](#) [MS3471L14-19P L/C](#) [192991-0703](#) [172501-4002](#) [172501-6002](#) [FCN-260C008-A/L0](#) [FCN-260C024-AL0](#) [FCN-261Z008](#) [2000314-1](#) [200331-1](#) [PCR-E36FC+](#) [PCS-E28FS+](#) [PCS-XE26SLFD+](#) [PCS-XE26SLFDT+](#) [G730VID08BDC24](#) [HDR-E14MSG1+](#) [U90B2054081210](#) [UE86K842720321](#) [38113800006](#)  
[DP3AR020WQ1R200](#) [Z4.102.0680.0](#) [500-1040](#) [500-1052](#) [500-1054](#) [ZP-4008-66L](#) [0709821002](#) [DX40-20P\(55\)](#) [5554841-1](#) [MS3474W18-8P-LC\\*](#) [SM3106F14S-7S-LC](#) [U90B3054061110](#) [U65-E04-4020](#) [ZPF000000000097891](#) [557-262M2-06C](#) [747360449](#) [10099439-003C-TRLF](#)