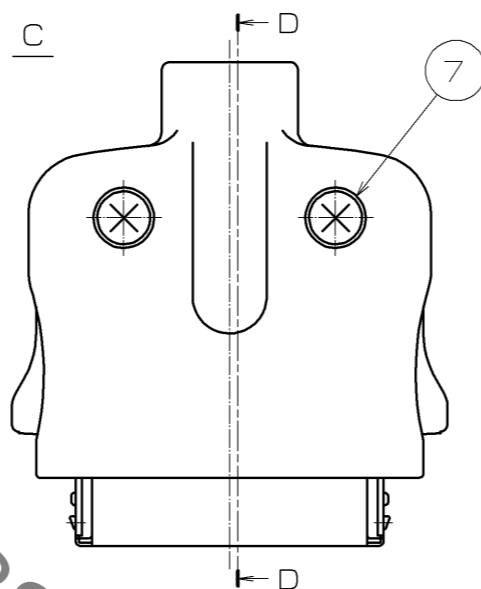
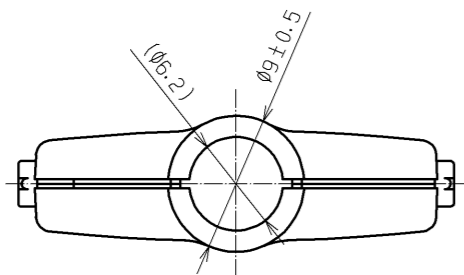
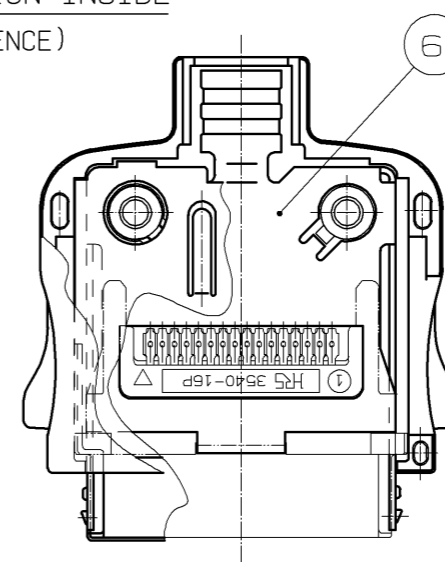


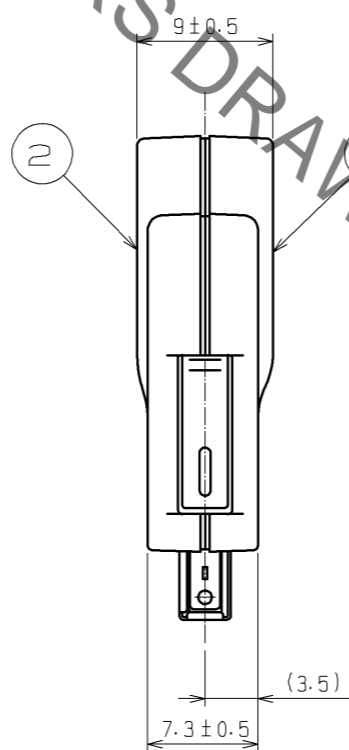
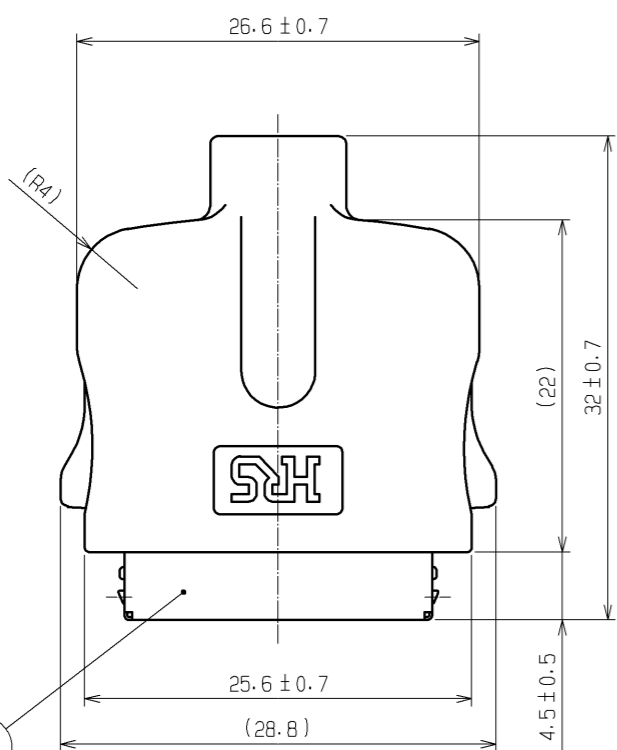
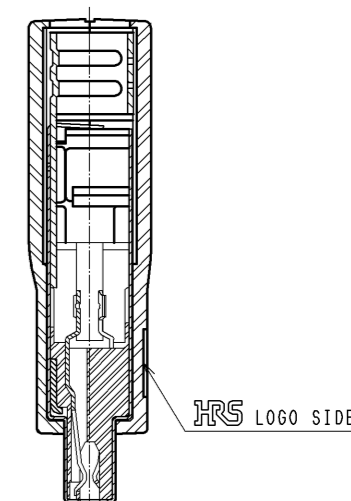
Jul.1.2019 Copyright 2019 HIROSE ELECTRIC CO., LTD. All Rights Reserved.
In case of consideration for using Automotive equipment / device which demand high reliability, kindly contact our sales window correspondents.



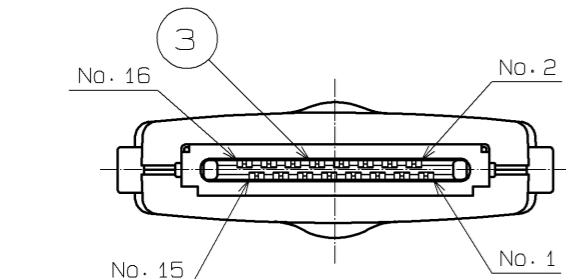
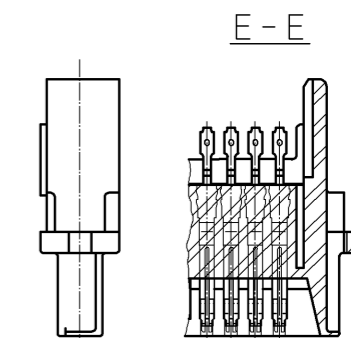
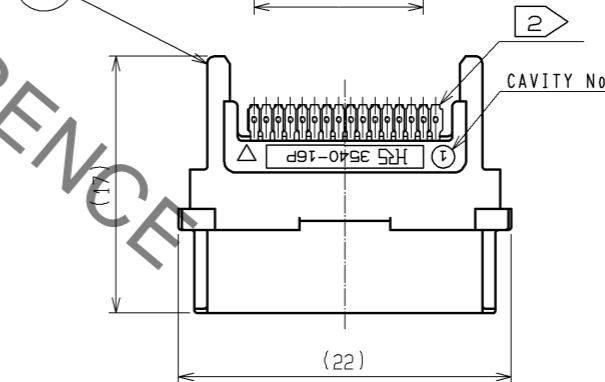
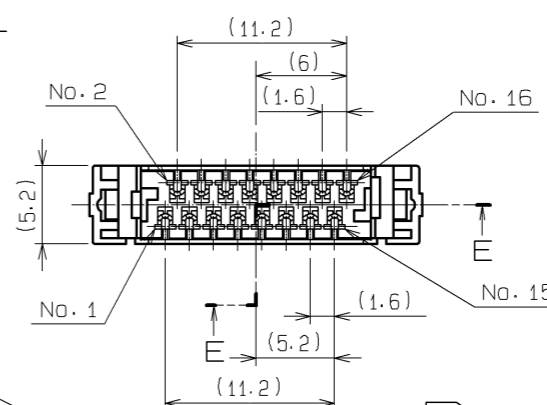
CONSTRUCTION INSIDE
(FOR REFERENCE)



D - D (FOR REFERENCE)



CONNECTOR UNIT



NOTE 1. THIS PRODUCT SHALL BE IN DISASSEMBLED CONDITION (EXCEPT CONNECTOR UNIT ③, ④) WHEN DELIVERED.
② EACH TERMINATION POINT SHALL BE COVERED WITH HEAT SHRINK TUBE AFTER SOLDERING ASSEMBLY.

3	COPPER ALLOY	CONTACT AREA GOLD PLATING 0.76μm LEAD AREA GOLD PLATING 0.03μm UNDER PLATING NICKEL PLATING 1.27μm	7	STEEL	BLACK TAPPING SCREW
2	POLYCARBONATE	BLACK UL94V-0	6	STAINLESS STEEL	
1	POLYCARBONATE	BLACK UL94V-0	5	STAINLESS STEEL	
NO.	MATERIAL	FINISH . REMARKS	NO.	MATERIAL	FINISH . REMARKS

UNITS mm		SCALE 2 : 1	COUNT 2	DESCRIPTION OF REVISIONS DIS-E-004505	DESIGNED TA. ASO	CHECKED NM. NISHIMATSU	DATE 13.02.05
APPROVED : SR. KIKUTA 07.06.05				DRAWING NO. EDC3-120517-02			
CHECKED : SJ. SHIMIZU 07.06.05				PART NO. 3540-16P-CV(57)			
DESIGNED : TS. ITO 07.06.05				CODE NO. CL235-0004-1-57			
DRAWN : TS. ITO 07.06.05							

X-ON Electronics

Largest Supplier of Electrical and Electronic Components

Click to view similar products for [I/O Connectors](#) category:

Click to view products by [Hirose](#) manufacturer:

Other Similar products are found below :

[571763P](#) [58098-0628](#) [72.250.1628.2](#) [72.250.2428.2](#) [74720-0505](#) [76.350.0729.0](#) [76871-1403](#) [FCN-244F080-G/1](#) [FCN-260A9920](#) [PCR-E36PM](#) [PCS-XE26MA+](#) [G38A71314B](#) [1571250010](#) [157-22500-3](#) [MS3471L14-19P L/C](#) [192991-0703](#) [172501-4002](#) [172501-6002](#) [FCN-260C008-A/L0](#) [FCN-260C024-AL0](#) [FCN-261Z008](#) [2000314-1](#) [200331-1](#) [PCR-E36FC+](#) [PCS-E28FS+](#) [PCS-XE26SLFD+](#) [PCS-XE26SLFDT+](#) [G730VID08BDC24](#) [U90B2054081210](#) [UE86K842720321](#) [38113800006](#) [DP3AR020WQ1R200](#) [Z4.102.0680.0](#) [500-1040](#) [500-1052](#) [500-1054](#) [ZP-4008-66L](#) [0709821002](#) [DX40-20P\(55\)](#) [5554841-1](#) [MS3474W18-8P-LC*](#) [SM3106F14S-7S-LC](#) [U90B3054061110](#) [U65-E04-4020](#) [ZPF000000000097891](#) [557-262M2-06C](#) [747360449](#) [10099439-003C-TRLF](#) [10137239-0021LF](#) [E9320-001-01](#)